

EUCHNER

Operating Instructions

Transponder-Coded Safety Switch with Guard Locking
CTP-L1/2-BR Unicode/Multicode V1.0.X up to V1.3.X
CTA-L1/2-BR Unicode/Multicode V1.0.X up to V2.1.X

EN

Contents

1.	About this document	5
1.1.	Scope.....	5
1.2.	Target group	5
1.3.	Key to symbols.....	5
1.4.	Supplementary documents	5
2.	Correct use	6
3.	Description of the safety function	7
4.	Exclusion of liability and warranty	8
5.	General safety precautions	8
6.	Function	9
6.1.	Guard lock monitoring	9
6.2.	Monitoring outputs/status bits	9
6.2.1.	Guard locking signal OL.....	9
6.2.2.	Door position signal OD.....	9
6.2.3.	Diagnostic signal OI	9
6.2.4.	Escape release signal OER	9
6.2.5.	Status signal OM.....	9
6.2.6.	Locking element signal OLS.....	10
6.2.7.	Communication connection C.....	10
6.3.	Version CTP/CTA Extended.....	10
6.4.	Guard locking	10
6.4.1.	Guard locking on version CTP/CTA-L1.....	10
6.4.2.	Guard locking on version CTP/CTA-L2.....	10
6.4.3.	Guard locking on version CTP/CTA-L1 and control via IO-Link communication.....	11
6.4.4.	Guard locking on version CTP/CTA-L2 and control via IO-Link communication.....	11
6.5.	Switching states	12
6.5.1.	Switching states on version CTP/CTA-L1/L2	12
6.5.2.	Switching states on version CTP/CTA-L1/L2 with control via IO-Link communication.....	12
7.	Manual release	13
7.1.	Auxiliary release and auxiliary key release	13
7.1.1.	Actuating auxiliary release	13
7.1.2.	Actuating auxiliary key release	14
7.2.	Emergency release	14
7.2.1.	Actuating emergency release	14
7.3.	Escape release.....	15
7.3.1.	Actuating escape release	15
7.4.	Wire front release (bowden)	15
7.4.1.	Laying wire front release.....	16
8.	Changing the approach direction	16
9.	Mounting	17

10.	Electrical connection	18
10.1.	Notes about cULus	19
10.2.	Safety in case of faults	19
10.3.	Fuse protection for power supply	19
10.4.	Requirements for connecting cables	20
10.5.	Connector assignments	21
10.5.1.	Connector assignment of safety switches CTP/CTA-...-BR-...-SAB-... with plug connectors 2 x M12	21
10.5.2.	Connector assignment of safety switches CTP/CTA-...-BR-...-SA-... with plug connector M12, 8-pin	21
10.5.3.	Connector assignment of safety switches CTP/CTA-...-BR-...-APD-SA-... with plug connector M12, 8-pin	21
10.5.4.	Connector assignment of safety switches CTP/CTA-...-BR-...-SH-... with plug connector M23 (RC18)	22
10.6.	Connection of guard locking control	23
10.6.1.	Guard locking control for variants with IMM connection	23
10.6.2.	Guard locking control for variants without IMM connection	23
10.6.3.	Guard locking control for variants with UA connection	23
10.7.	Notes on operation with safe control systems	24
10.8.	Connection without and with IO-Link communication	24
10.8.1.	Series connection without IO-Link communication	24
10.8.2.	Series connection with IO-Link communication	24
11.	Connection of a single CTP/CTA-BR (separate operation).....	25
12.	Connection of several devices in a switch chain (series connection)	26
12.1.	Series connection with wiring in the control cabinet	27
12.2.	Series connection with Y-distributors	28
12.2.1.	Maximum cable lengths	28
12.2.2.	Determining cable lengths using the example table	29
12.2.3.	Connector assignment of Y-distributor for series connection without IO-Link communication	30
12.2.4.	Connector assignment of Y-distributor for series connection with IO-Link communication	32
13.	Using communication data	34
13.1.	Connection to a BR/IO-Link Gateway GWY-CB	34
13.2.	Connection to a safety relay ESM-CB	34
13.3.	Overview of the communication data	34
13.3.1.	Cyclical data (process data)	34
13.3.2.	Acyclical data (device data and events)	35
14.	Setup	36
14.1.	LED displays	36
14.2.	Teaching-in actuator (only for unicode evaluation)	36
14.3.	Functional check	37
14.3.1.	Mechanical function test	37
14.3.2.	Electrical function test	37
14.4.	Factory reset	37
15.	System status table CTP/CTA-L1/2-BR.....	38

16.	Technical data	39
16.1.	Technical data for safety switch CTP-L1/2-BR	39
16.2.	Technical data for safety switch CTA-L1/2-BR.....	40
16.3.	Typical system times.....	42
16.4.	Radio frequency approvals.....	43
16.5.	Dimension drawing for safety switch CTP/CTA.....	44
16.5.1.	Dimension drawing for safety switch CTP... ..	44
16.5.2.	Dimension drawing for safety switch CTA... ..	45
16.5.3.	Dimension drawing for connections and variants CTP/CTA	46
16.6.	Technical data for actuator CTP/CTA-.....	47
16.6.1.	Dimension drawing for actuator CTP/CTA-... ..	48
17.	Ordering information and accessories	51
18.	Inspection and service	51
19.	Service	51
20.	Declaration of conformity	51

1. About this document

1.1. Scope

These operating instructions, the document Safety information and any available data sheet form the complete user information for your device.

They apply to:





Safety switch	Version
CTP-L1/2-BR	V1.0.X up to V1.3.X
CTA-L1/2-BR	V1.0.X up to V2.1.X

Devices with lower product versions or without a version number are not described by these operating instructions. In this case, you should contact the Service department (see chapter 19. Service on page 51).

1.2. Target group





Design engineers and installation planners for safety devices on machines as well as setup and servicing staff possessing special expertise in handling safety components.


1.3. Key to symbols

Symbol/depiction	Meaning
	Printed document
	Document is available for download at www.euchner.com
 DANGER WARNING CAUTION	Safety precautions Danger of death or severe injuries Warning about possible injuries Caution slight injuries possible
 NOTICE Important!	Notice about possible device damage Important information
Tip	Useful information

1.4. Supplementary documents

The overall documentation for this device consists of the following documents:

Document title (document number)	Contents	
Safety information (2525460)	Basic safety information	
Operating instructions (2537376)	(this document)	
Possibly available data sheet	Item-specific information about deviations or additions	 

	Important! Always read all documents to gain a complete overview of safe installation, setup and use of the device. The documents can be downloaded from www.euchner.com . For this purpose enter the doc. no. in the search box.
---	--

2. Correct use

Safety switches series CTP-L1/2-... and CTA-L1/2-... are interlocking devices with guard locking solenoid (type 4). The device meets the requirements according to EN IEC 60947-5-3. Devices with unicode evaluation possess a high coding level, devices with multicode evaluation possess a low coding level.

In combination with a movable guard and the machine control, this safety component prevents the guard from being opened while a dangerous machine function is being performed.

This means:

- › Starting commands that cause a dangerous machine function must become active only when the guard is closed and locked.
- › The guard locking must not be released until the dangerous machine function has ended.
- › Closing and locking a guard must not cause automatic starting of a dangerous machine function. A separate start command must be issued. For exceptions, refer to EN ISO 12100 or relevant C-standards.

Devices from this series are also suitable for process protection.

Before the device is used, a risk assessment must be performed on the machine, e.g. in accordance with the following standards:

- › EN ISO 13849-1
- › EN ISO 12100
- › IEC 62061

Correct use includes observing the relevant requirements for installation and operation, particularly based on the following standards:

- › EN ISO 13849-1
- › EN ISO 14119
- › EN 60204-1

The safety switch is allowed to be operated only in conjunction with the intended EUCHNER actuator and the related connection components from EUCHNER. On the use of different actuators or other connection components, EUCHNER provides no warranty for safe function.

Connection of several devices in a BR switch chain is permitted only using devices intended for series connection in a BR switch chain. Check this in the instructions of the device in question.



Important!

- › The user is responsible for the proper integration of the device into a safe overall system. For this purpose, the overall system must be validated, e.g. in accordance with EN ISO 13849-2.
- › It is only allowed to use components that are permissible in accordance with the table below.

Table 1: Possible combinations for CTP/CTA components

Safety switch	Actuator	
	A-C-H-...	A-C-H-...-165497
CTP-L1/2-BR Unicode/Multicode	●	
CTA-L1/2-BR Unicode/Multicode	●	●
Key to symbols	●	Combination possible

3. Description of the safety function

Devices from this series feature the following safety functions:

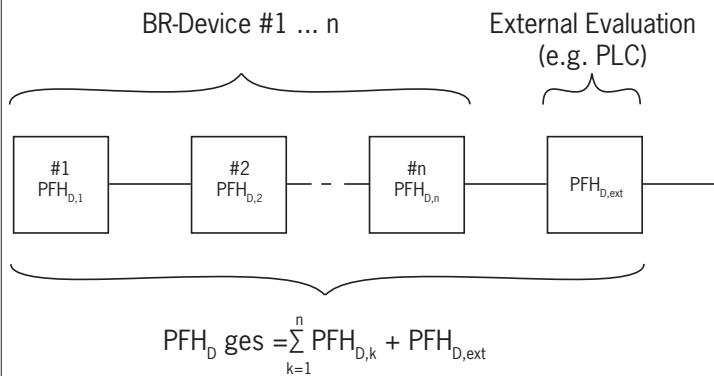
Monitoring of guard locking and the position of the guard (interlocking device with guard locking according to EN ISO 14119)

- Safety function (see chapter 6.5. *Switching states on page 12*):
 - The safety outputs are switched off when guard locking is released (monitoring of the locking element).
 - The safety outputs are switched off when the guard is open (monitoring of the door position).
 - Guard locking can be activated only when the actuator is located in the switch head (prevention of inadvertent locking position (faulty closure protection)).
 - The following additionally applies in a BR series connection: the safety outputs are switched on only when the device receives a corresponding signal from its predecessor in the chain.
- Safety characteristics: category, Performance Level, PFH_D (see chapter 16. *Technical data on page 39*).



NOTICE

You can regard the complete BR device chain as one subsystem during calculation. The following calculation method applies to the PFH_D value:

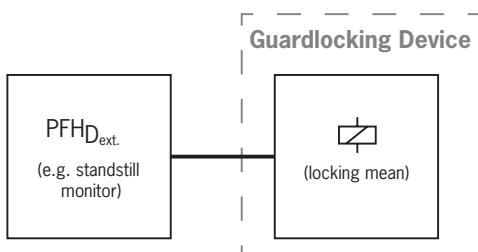


Alternatively, the simplified method according to section 6.3 of EN 13849-1:2015 can be used for calculation.

Control of guard locking for variants with IMP/IMM connection

If the device is used as guard locking for personnel protection, control of guard locking must be regarded as a safety function. The device does not feature a safety characteristic for control of guard locking, because the guard locking solenoid is completely disconnected from outside the device (no control function within the device). It therefore does not contribute to the failure probability.

The safety level for control of guard locking is defined only by the external control (e.g. PFH_{D, ext.} for the standstill monitor).



Control of guard locking via IO-Link communication

If the device is used as guard locking for personnel protection, control of guard locking must be regarded as a safety function. The device does not feature a safety characteristic for the control of the guard locking.

4. Exclusion of liability and warranty

In case of failure to comply with the conditions for correct use stated above, or if the safety regulations are not followed, or if any servicing is not performed as required, liability will be excluded and the warranty void.

5. General safety precautions

Safety switches fulfill personnel protection functions. Incorrect installation or tampering can lead to fatal injuries to personnel.

Check the safe function of the safeguard particularly

- › after any setup work
- › after the replacement of a system component
- › after an extended period without use
- › after every fault

Independent of these checks, the safe function of the safeguard should be checked at suitable intervals as part of the maintenance schedule.



WARNING

Danger to life due to improper installation or due to bypassing (tampering). Safety components fulfill a personnel protection function.

- › Safety components must not be bypassed, turned away, removed or otherwise rendered ineffective. On this topic pay attention in particular to the measures for reducing the possibility of bypassing according to EN ISO 14119:2013, section 7.
- › The switching operation must be triggered only by actuators designated for this purpose.
- › Prevent bypassing by means of replacement actuators (only for multicode evaluation). For this purpose, restrict access to actuators and to keys for releases, for example.
- › Mounting, electrical connection and setup only by authorized personnel possessing the following knowledge:
 - specialist knowledge in handling safety components
 - knowledge about the applicable EMC regulations
 - knowledge about the applicable regulations on operational safety and accident prevention



Important!

Prior to use, read the operating instructions and keep these in a safe place. Ensure the operating instructions are always available during mounting, setup and servicing. For this reason you should archive a printed copy of the operating instructions. You can download the operating instructions from www.euchner.com.

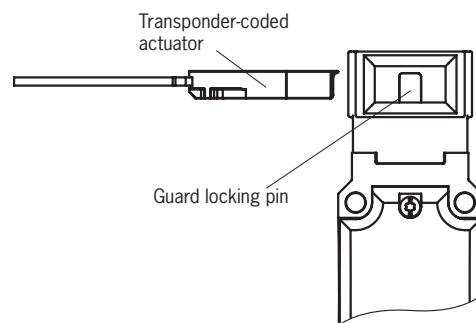
6. Function

The device permits the locking of movable guards.

The system consists of the following components: coded actuator (transponder) and switch.

Whether the device learns the complete actuator code (unicode) or not (multicode) depends on the respective version.

- **Devices with unicode evaluation:** The actuator must be assigned to the safety switch by a teach-in operation so that it is detected by the system. This unambiguous assignment ensures a particularly high level of protection against tampering. The system thus possesses a high coding level.
- **Devices with multicode evaluation:** Unlike systems with unicode evaluation, on multicode devices a specific code is not requested but instead it is only checked whether the actuator is of a type that can be detected by the system (multicode evaluation). There is no exact comparison of the actuator code with the taught-in code in the safety switch (unicode evaluation). The system possesses a low coding level.



When the guard is closed, the actuator is moved into the safety switch. When the operating distances are reached, power is supplied to the actuator by the switch and data are transferred.

If a permissible code is detected, the safety outputs are switched on.

The safety outputs are switched off when the guard is released.

In the event of a fault in the safety switch, the safety outputs are switched off and the DIA LED illuminates red. The occurrence of faults is detected at the latest on the next demand to close the safety outputs (e.g. on starting).

6.1. Guard lock monitoring

All versions feature two safe outputs for monitoring guard locking. The safety outputs FO1A and FO1B are switched off when guard locking is released.

6.2. Monitoring outputs/status bits

Depending on version, the signals listed in the following are available as a status bit or at the monitoring output. The status bits are evaluated via the BR/IO-Link Gateway. Please refer to the corresponding data sheet for further information.

6.2.1. Guard locking signal OL

The guard locking signal is present if the guard locking is active.

6.2.2. Door position signal OD

The door position signal is sent as soon as the actuator is inserted into the switch head (state: guard closed and not locked). The signal is also present if the guard locking is active.

6.2.3. Diagnostic signal OI

The diagnostic signal is present if there is an error (switch-on condition as for DIA LED).

6.2.4. Escape release signal OER

The escape release signal is present if the device has been released manually (see chapter 7. *Manual release on page 13*). The signal is reset if the guard locking is re-activated or the reset function has been activated.

6.2.5. Status signal OM

The status signal is present if the device's safety outputs are switched.

6.2.6. Locking element signal OLS

The locking element signal is present if the locking element is stuck and it is not possible to deactivate guard locking. The signal is reset as soon as the actuator is no longer under tensile stress.

6.2.7. Communication connection C

A monitoring output with the suffix C has the additional function of providing a communication connection to a BR/IO-Link Gateway. The switch delivers cyclical and acyclical data. You will find an overview of the communication data in chapter 13. *Using communication data on page 34.*

If no BR/IO-Link Gateway is connected, this output behaves like a monitoring output.

6.3. Version CTP/CTA Extended

Devices in the Extended version contain additional controls/indicators in the housing cover. Please refer to the corresponding data sheet for further information.

6.4. Guard locking

6.4.1. Guard locking on version CTP/CTA-L1

(guard locking actuated by spring force and released by power-ON)

Activating guard locking: close guard; no voltage at the solenoid.

Releasing guard locking: apply voltage to the solenoid.

The spring-operated guard locking functions in accordance with the closed-circuit current principle. If the voltage is interrupted at the solenoid, the guard locking remains active and the guard cannot be opened directly.



Important!

If the guard is open when the power supply is interrupted and is then closed, guard locking is activated. This can lead to persons being locked in unintentionally.

The actuator cannot be pulled out of the switch and the guard is locked as long as the guard locking pin is extended.

If a voltage is applied to the guard locking solenoid, the guard locking pin is retracted and the actuator is released. The guard can be opened.

6.4.2. Guard locking on version CTP/CTA-L2

(guard locking actuated by power-ON and released by spring force)



Important!

Use as guard locking for personnel protection is possible only in special cases, after strict assessment of the accident risk (see EN ISO 14119:2013, section 5.7.1)!

Activating guard locking: apply voltage to the solenoid.

Releasing guard locking: disconnect voltage from the solenoid.

The magnetically actuated guard locking operates in accordance with the open-circuit current principle. If the voltage is interrupted at the solenoid, the guard locking is released and the guard can be opened directly!

The guard can be opened as long as no voltage is applied to the guard locking solenoid.

If a voltage is applied to the guard locking solenoid, the guard locking pin is held in the extended position and the guard is locked.

6.4.3. Guard locking on version CTP/CTA-L1 and control via IO-Link communication



Important!

Use as guard locking for personnel protection is possible only in special cases, after strict assessment of the accident risk (see EN ISO 14119:2013, section 5.7.1)!

Activating guard locking: guard locking activated by spring force and controlled by bit *CL* (bit *CL* = 0).

Releasing guard locking: guard locking released by the device's operating voltage and deactivated by bit *CL* (bit *CL* = 1).

The spring-operated guard locking functions in accordance with the closed-circuit current principle. If operating voltage is interrupted, guard locking remains active and the guard cannot be opened directly.



Important!

If the guard is open when the power supply is interrupted and is then closed, guard locking is activated. This can lead to persons being locked in unintentionally.

The actuator cannot be pulled out of the switch and the guard is locked as long as the guard locking pin is extended.

If operating voltage is applied, the guard locking pin is controlled by the bit *CL* and the actuator is released. The guard can be opened.

6.4.4. Guard locking on version CTP/CTA-L2 and control via IO-Link communication



Important!

Use as guard locking for personnel protection is possible only in special cases, after strict assessment of the accident risk (see EN ISO 14119:2013, section 5.7.1)!

Activating guard locking: guard locking supplied by the device's operating voltage and controlled by bit *CL* (bit *CL* = 1).

Releasing guard locking: guard locking released by spring force and deactivated by bit *CL* (bit *CL* = 0).

The magnetically actuated guard locking operates in accordance with the open-circuit current principle. If the operating voltage is interrupted, the guard locking is released and the guard can be opened directly!

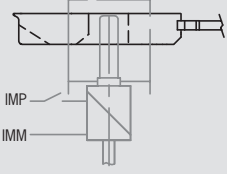
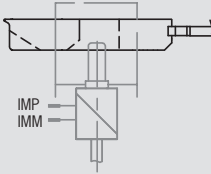
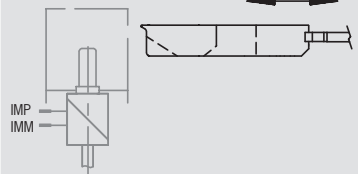

The guard can be opened as long as no operating voltage is applied.

If the operating voltage is applied, the guard locking pin is controlled by the bit *CL* and the guard is locked.

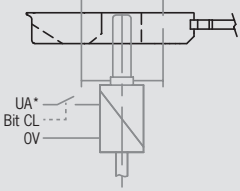
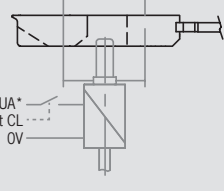
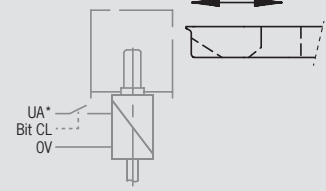

6.5. Switching states

The detailed switching states for your switch can be found in the system status table (see chapter 15. *System status table CTP/CTA-L1/2-BR on page 38*). All safety outputs, signals and display LEDs are described there.

6.5.1. Switching states on version CTP/CTA-L1/L2

	Guard closed and locked	Guard closed and not locked	Guard open
			
Voltage at guard locking solenoid CTP/CTA-L1	off	on	(irrelevant)
Voltage at guard locking solenoid CTP/CTA-L2	on	off	(irrelevant)
Safety outputs F01A and F01B 	on	off	off
Guard locking signal OL	on	off	off
Door position signal OD	on	on	off

6.5.2. Switching states on version CTP/CTA-L1/L2 with control via IO-Link communication

	Guard closed and locked		Guard closed and not locked		Guard open
					
Auxiliary voltage* at guard locking solenoid CTP/CTA-L1	on	off*	on		irrelevant
Bit CL	0	irrelevant	1		
Auxiliary voltage* at guard locking solenoid CTP/CTA-L2	on		on	off*	irrelevant
Bit CL	1		0	irrelevant	
Safety outputs F01A and F01B 	on		off		off
Guard locking signal OL	on		off		off
Door position signal OD	on		on		off

* In some product variants the auxiliary voltage UA is connected internally to the operating voltage UB.

7. Manual release



Important!

No further release functions can be retrofitted on Extended variants with control elements in position 1 (S1) and position 2 (S2).

Some situations require the guard locking to be released manually (e.g. malfunctions or an emergency). A function test must be performed after release.

More information on this topic can be found in the standard EN ISO 14119:2013, section 5.7.5.1. The device can feature the following release functions:

7.1. Auxiliary release and auxiliary key release

In the event of malfunctions, the guard locking can be released with the auxiliary release or the auxiliary key release irrespective of the state of the solenoid.

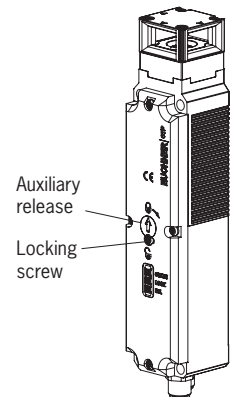
The safety outputs are switched off when the auxiliary release or the auxiliary key release is actuated. Use the safety outputs to generate a stop command.

The guard locking signal OL is switched off; the door position signal OD can assume an undefined state. Open the guard and close it again after resetting the auxiliary release or auxiliary key release. The device will then operate normally again.




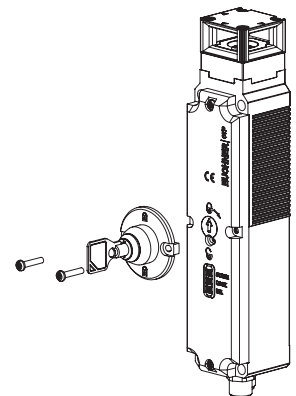
Important!

- › The actuator must not be under tensile stress during manual release.
- › To prevent tampering, the auxiliary release must be sealed (with sealing lacquer, for example) before the switch is set up.
- › After use, reset the auxiliary release and screw in and seal the locking screw (with sealing lacquer, for example).
- › The auxiliary key release must not be used to lock the switch during servicing to prevent activation of guard locking, for example.
- › Loss of the release function due to mounting errors or damage during mounting.
- › Check the release function every time after mounting.
- › Observe the notes on any available data sheets.



7.1.1. Actuating auxiliary release

1. Unscrew locking screw.
 2. Using a screwdriver, turn the auxiliary release to  in the direction of the arrow.
- ➔ Guard locking is released.



7.1.2. Actuating auxiliary key release

On devices with auxiliary key release (can be retrofitted), simply turn the key to release. Function as for auxiliary release. For mounting, see the auxiliary key release supplement.

7.2. Emergency release

This permits opening of a locked guard from outside the danger zone without tools. For mounting, see the mounting supplement.



Important!

- › It must be possible to operate the emergency release manually from outside the protected area without tools.
- › The emergency release must possess a marking indicating that it may be used only in an emergency.
- › The actuator must not be under tensile stress during manual release.
- › The emergency release must be sealed or the misuse of the release function must be prevented in the control system.
- › The release function meets all other requirements from EN ISO 14119.
- › The emergency release meets the requirements of Category B according to EN ISO 13849-1:2015.
- › Loss of the release function due to mounting errors or damage during mounting.
- › Check the release function every time after mounting.
- › Observe the notes on any available data sheets.

7.2.1. Actuating emergency release

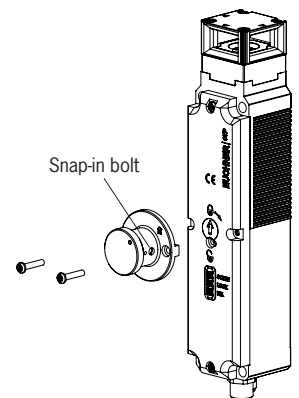
› Turn the emergency release clockwise until it clicks into place.

➔ Guard locking is released.

To reset, press the snap-in bolt inward using a small screwdriver or similar tool and turn the emergency release back.

The safety outputs are switched off when the emergency release is actuated. Use the safety outputs to generate a stop command.

The guard locking signal OL is switched off; the door position signal OD can assume an undefined state. Open the guard and close it again after resetting the emergency release. The device will then operate normally again.



7.3. Escape release

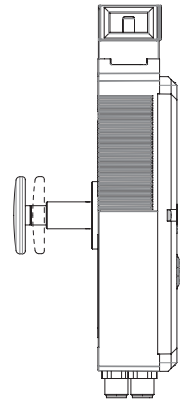
The escape release is optional on CTP devices; on CTA devices it is optional or can be retrofitted.

This permits opening of a locked guard from the danger zone without tools (see chapter 16.5.1. *Dimension drawing for safety switch CTP... on page 44*).



Important!

- › It must be possible to operate the escape release manually from inside the protected area without tools.
- › It must not be possible to reach the escape release from the outside.
- › The actuator must not be under tensile stress during manual release.
- › The escape release meets the requirements of Category B according to EN ISO 13849-1:2015.



7.3.1. Actuating escape release

› Press the red release knob to the end stop.

➔ Guard locking is released.

Pull the knob out again to reset.

The safety outputs are switched off when the escape release is actuated. Use the safety outputs to generate a stop command.

The guard locking signal OL is switched off; the door position signal OD can assume an undefined state. Open the guard and close it again after resetting the escape release. The device will then operate normally again.

7.4. Wire front release (bowden)

Release via a pull wire. Depending on the type of attachment, the wire front release can be used as an emergency release or escape release.

The following applies to non-latching wire front releases.

If the release is to be used as an emergency release, one of the following measures must be taken (see EN ISO 14119:2013, section 5.7.5.3):

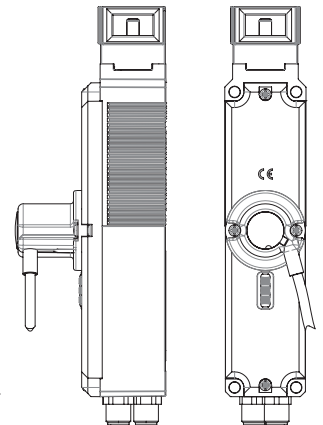
- › Install the release so that it can be reset only with the aid of a tool.
- › Alternatively, resetting can be realized at the control-system level by means of a plausibility check (status of the safety outputs does not match the guard locking control signal), for example.

The emergency-release specifications in chapter 7.2 on Page 14 apply irrespective of this information.



Important!

- › The wire front release meets the requirements of Category B according to EN ISO 13849-1:2015.
- › The correct function depends on the laying of the pull wire and the attachment of the pull handle. The plant manufacturer is responsible for proper installation; the notes from chapter 7.4.1 on Page 16 must be observed.
- › The actuator must not be under tensile stress during manual release.



7.4.1. Laying wire front release



Important!

- › Loss of the release function due to mounting errors, damage or wear.
- › Check the release function every time after mounting.
- › When routing the wire front release, ensure that it operates smoothly.
- › Observe the min. bending radius (100 mm) and minimize the number of bends.
- › The switch is not allowed to be opened.
- › Please observe the notes on the corresponding data sheets.

8. Changing the approach direction

The approach direction needs to be changed only if the switch is to be approached from the rear.

Proceed as follows:

1. Remove the screws from the safety switch.
2. Set the required direction.
3. Tighten the screws with a torque of 1.2 Nm.

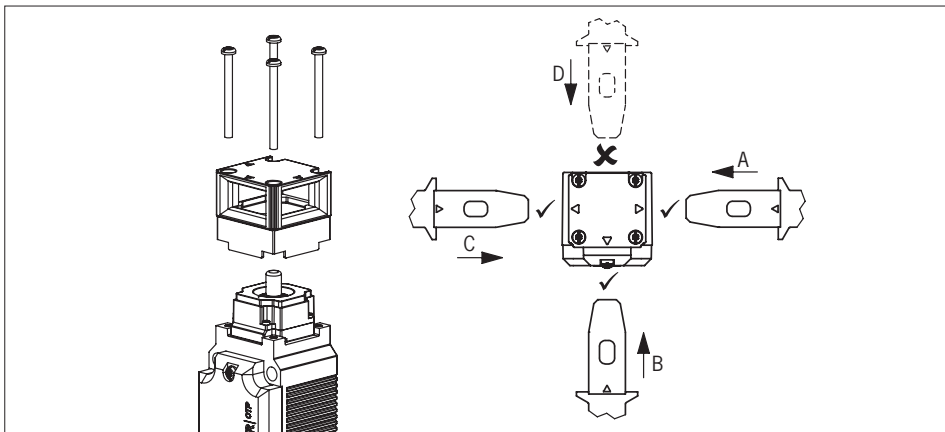


Fig. 1: Changing the approach direction

9. Mounting



CAUTION

Safety switches must not be bypassed (bridging of contacts), turned away, removed or otherwise rendered ineffective.

- › Observe EN ISO 14119:2013, section 7, for information about reducing the possibilities for bypassing an interlocking device.



CAUTION

Risk of damage to equipment and malfunctions as a result of incorrect installation.

- › Safety switches and actuators must not be used as an end stop.
- › Observe EN ISO 14119:2014, sections 5.2 and 5.3, for information about mounting the safety switch and the actuator. The following specifications must be observed:
 - Mounting with screws of property class 8.8 or higher.
 - The minimum screw diameter for CTP devices is 4 mm, for CTA devices 5 mm.
 - Secure the fixing material against loosening (e.g. by means of medium-strength positive screw locking).
- › Protect the switch head against damage, as well as penetrating foreign objects such as swarf, sand and blasting shot, etc.
- › Observe the min. door radii (see chapter 16.6.1. *Dimension drawing for actuator CTP/CTA... on page 48*).
- › Observe the tightening torque for mounting the switch:
 - For CTP devices: max. 1.4 Nm
 - For CTA devices: max. 6 Nm



CAUTION

Device damage or malfunctions caused by material changes due to the environment.

- › In accordance with section 6.3 of EN ISO 14119:2014, the environmental influences (e.g. direct UV radiation or corrosion) must be checked before a guard locking device is used.
- › Contact the manufacturer if you have any questions about environmental influences or about use in aggressive environments.

A clearance of 12 mm must be maintained around the actuator head (see Fig. 2).

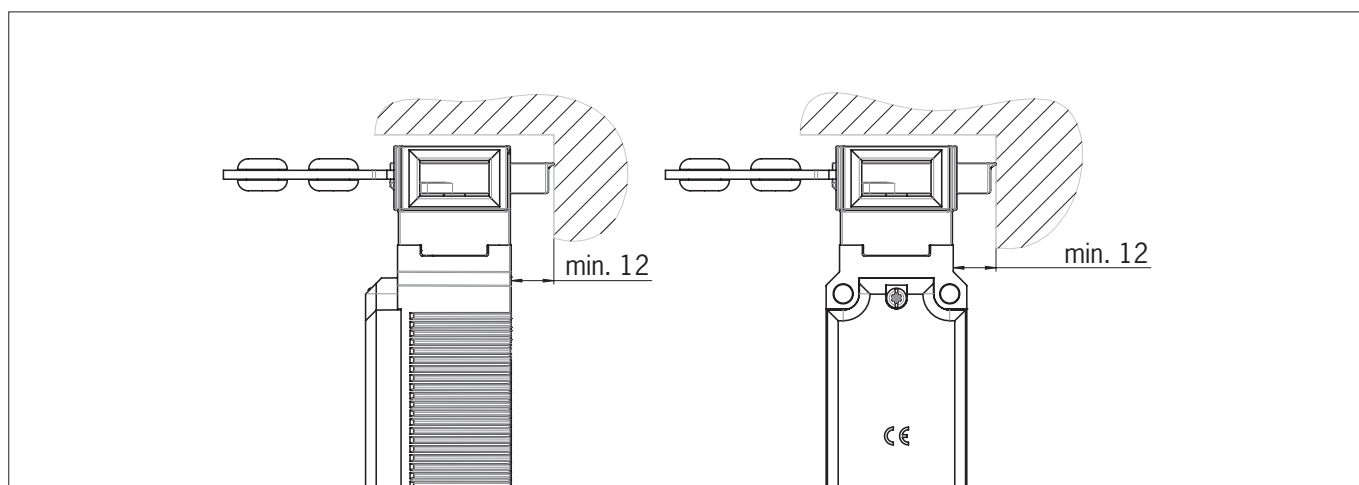


Fig. 2: Actuator head clearance

10. Electrical connection

The following connection options are available:

- › Separate operation
- › Series connection with Y-distributors or passive distribution modules
- › Series connection, e.g. with wiring in the control cabinet
- › Connection to a BR/IO-Link Gateway GWY-CB-1-BR-IO
- › Connection to a safety relay ESM-CB with integrated BR/IO-Link Gateway



WARNING

In the event of a fault, loss of the safety function due to incorrect connection.

- › To ensure safety, both safety outputs FO1A and FO1B must always be evaluated.
- › Monitoring outputs must not be used as safety outputs.
- › Lay the connecting cables with protection to prevent the risk of short circuits.



CAUTION

Risk of damage to equipment or malfunctions as a result of incorrect connection.

- › In devices with IMP/IMM inputs, the power supply for the evaluation electronics is separate from the power supply for the guard locking solenoid.
- › Do not use a control system with pulsing or switch off the pulsing function in your control system. The device generates its own test pulses on the safety outputs. A downstream control system must tolerate these test pulses, which may have a length of up to 300 µs. Depending on the inertia of the downstream device (control system, relay, etc.), this can lead to short switching processes. The test pulses are output only with the safety outputs switched off during device start.
- › The inputs on an evaluation unit connected must be positive-switching, as the two outputs on the safety switch deliver a level of +24 V in the switched-on state.
- › All the electrical connections must either be isolated from the mains supply by a safety transformer according to IEC 61558-2-6 with limited output voltage in the event of a fault, or by other equivalent insulation measures (PELV).
- › All electrical outputs must have an adequate protective circuit for inductive loads. The outputs must be protected with a free-wheeling diode for this purpose. RC interference suppression units must not be used.
- › Power devices which are a powerful source of interference must be installed in a separate location away from the input and output circuits for signal processing. The cable routing for safety circuits should be as far away as possible from the cables of the power circuits.
- › To avoid EMC interference, the physical environmental and operating conditions at the installation site of the device must comply with the requirements according to the standard EN 60204-1 (EMC).
- › Pay attention to any interference fields from devices such as frequency converters or induction heating systems. Observe the EMC instructions in the manuals from the respective manufacturer.






Important!

If the device does not appear to function when operating voltage is applied (e.g. green STATE LED does not flash), the safety switch must be returned unopened to the manufacturer.

10.1. Notes about



Important!

- › This device is intended to be used with a Class 2 power source in accordance with UL1310.  As an alternative an LV/C (Limited Voltage/Current) power source with the following properties can be used:
 - This device shall be used with a suitable isolating source in conjunction with a fuse in accordance with UL248. The fuse shall be rated max. 3.3 A and be installed in the 30 V DC power supply to the device as per the UL requirements.  Please note possibly lower connection ratings for your device (refer to the technical data).
- › For use and application as per the requirements of UL ¹⁾ a connecting cable listed under the UL category code CYJV/7, min. 24 AWG, min. 80 °C, must be used. 

1) Note on the scope of the UL approval: the devices have been tested as per the requirements of UL508 and CSA/ C22.2 no. 14 (protection against electric shock and fire).

10.2. Safety in case of faults

- › The operating voltage U_B and the solenoid operating voltage U_{IMP} are reverse polarity protected.
- › The safety outputs FO1A/FO1B are short circuit-proof.
- › A short circuit between the safety outputs is detected on starting or when the safety outputs are activated by the device.
- › A short circuit in the cable can be excluded by laying the cable with protection.

10.3. Fuse protection for power supply

The power supply must be provided with fuse protection depending on the number of switches and the current required for the outputs. The following rules apply:

Max. current consumption of an individual switch I_{max}

$$I_{max} = I_{UB} + I_{FO1A+FO1B} + I_{OX}$$

$$I_{UB} = \text{Switch operating current (40 mA)}$$

$$I_{OX} = \text{Load current of monitoring output (max. 50 mA per monitoring output)}$$

$$I_{FO1A+FO1B} = \text{Load current of safety outputs FO1A + FO1B (2 x max. 150 mA)}$$



Important!

If there are further monitoring outputs, their load current must be taken into account.

Max. current consumption of a switch chain ΣI_{max}

$$\Sigma I_{max} = I_{FO1A+FO1B} + n \times (I_{UB} + I_{OX})$$

$$n = \text{Number of connected switches}$$

10.4. Requirements for connecting cables



CAUTION

Risk of damage to equipment or malfunctions as a result of incorrect connecting cables.

- › Use connection components and connecting cables from EUCHNER.
- › On the use of other connection components, the requirements in the following table apply. EUCHNER provides no warranty for safe function in case of failure to comply with these requirements.

Observe the following requirements with respect to the connecting cables:

For safety switches CTP/CTA-...-BR-...-SAB-... with plug connectors 2 x M12

Parameter	Value	Unit
Conductor cross-section, min.	0.25	mm ²
R max.	60	Ω/km
C max.	120	nF/km
L max.	0.65	mH/km
Recommended cable type	LIYY 8 x 0.25 mm ² or 5 x 0.34 mm ²	

For safety switches CTP/CTA-...-BR-...-SA-... with plug connector M12, 8-pin

Parameter	Value	Unit
Conductor cross-section, min.	0.25	mm ²
R max.	60	Ω/km
C max.	120	nF/km
L max.	0.65	mH/km
Recommended cable type	LIYY 8 x 0.25 mm ²	

For safety switches CTP/CTA-...-BR-...-SH-... with plug connector M23 (RC18)

Parameter	Value	Unit
Conductor cross-section, min.	0.25	mm ²
R max.	60	Ω/km
C max.	120	nF/km
L max.	0.65	mH/km
Recommended cable type	LIFY11Y min. 19-core	

10.5. Connector assignments

10.5.1. Connector assignment of safety switches CTP/CTA-...-BR-...-SAB-... with plug connectors 2 x M12

Plug connector (view of connection side)	Pin	Designation	Function	Conductor coloring of connecting cable 1)
<p>2 x M12</p>	X 1.1	F11B	Enable input, channel B	WH
	X 1.2	UB	Electronics operating voltage, 24 V DC	BN
	X 1.3	F01A	Safety output, channel A	GN
	X 1.4	F01B	Safety output, channel B	YE
	X 1.5	OL/C	Guard lock monitoring output/communication	GY
	X 1.6	F11A	Enable input, channel A	PK
	X 1.7	OVUB	Electronics operating voltage, 0 V DC	BU
	X 1.8	RST	Reset input	RD
	X 2.1	IMM	Solenoid operating voltage, 0 V DC	BN
	X 2.2	OD	Door position monitoring output	WH
	X 2.3	OI	Diagnostic monitoring output	BU
	X 2.4	IMP	Solenoid operating voltage, 24 V DC	BK
	X 2.5	-	n.c.	GY

1) Only for standard EUCHNER connecting cable

10.5.2. Connector assignment of safety switches CTP/CTA-...-BR-...-SA-... with plug connector M12, 8-pin

Plug connector (view of connection side)	Pin	Designation	Function	Conductor coloring of connecting cable 1)
<p>1 x M12</p>	1	F11B	Enable input, channel B	WH
	2	UB	Electronics operating voltage, 24 V DC	BN
	3	F01A	Safety output, channel A	GN
	4	F01B	Safety output, channel B	YE
	5	OD/C	Door position monitoring output/communication	GY
	6	F11A	Enable input, channel A	PK
	7	OV	Electronics and solenoid operating voltage, 0 V DC	BU
	8	IMP	Solenoid operating voltage, 24 V DC	RD

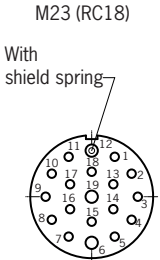


1) Only for standard EUCHNER connecting cable

10.5.3. Connector assignment of safety switches CTP/CTA-...-BR-...-APD-SA-... with plug connector M12, 8-pin

Plug connector (view of connection side)	Pin	Designation	Function	Conductor coloring of connecting cable 1)
<p>1 x M12</p>	1	F11B	Enable input, channel B	WH
	2	UB	Electronics operating voltage, 24 V DC	BN
	3	F01A	Safety output, channel A	GN
	4	F01B	Safety output, channel B	YE
	5	OD/C	Door position monitoring output/communication	GY
	6	F11A	Enable input, channel A	PK
	7	OV	Electronics and solenoid operating voltage, 0 V DC	BU
	8	UA	Solenoid auxiliary voltage 24 V DC (connected internally to UB)	RD

1) Only for standard EUCHNER connecting cable

**10.5.4. Connector assignment of safety switches CTP/CTA-...-BR-...-SH-...
with plug connector M23 (RC18)**

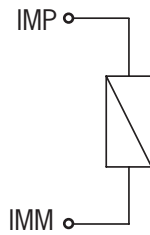
Plug connector (view of connection side)	Pin	Designation	Function	Conductor coloring of connecting cable ¹⁾
 <p>M23 (RC18) With shield spring</p>	1	IMP	Solenoid operating voltage, 24 V DC	VT
	2	F11A	Enable input, channel A	RD
	3	F11B	Enable input, channel B	GY
	4	F01A	Safety output, channel A 	RD/BU
	5	F01B	Safety output, channel B 	GN
	6	UB	Electronics operating voltage, 24 V DC	BU
	7	RST	Reset input	GY/PK
	8	OD/C	Door position monitoring output/communication	GN/WH
	9	OI	Diagnostic monitoring output	YE/WH
	10	OL	Guard lock monitoring output	GY/WH
	11	-	n.c.	BK
	12	FE	Functional earth (must be connected to meet the EMC requirements)	GN/YE
	13	-	n.c.	PK
	14	-	n.c.	BN/GY
	15	-	n.c.	BN/YE
	16	-	n.c.	BN/GN
	17	-	n.c.	WH
	18	IMM	Solenoid operating voltage, 0 V DC	YE
	19	OVUB	Electronics operating voltage, 0 V DC	BN

1) Only for standard EUCHNER connecting cable

10.6. Connection of guard locking control

10.6.1. Guard locking control for variants with IMM connection

Solenoid operating voltage, 24 V DC



Solenoid operating voltage, 0 V DC

Fig. 3: Connection example with IMM connection

10.6.2. Guard locking control for variants without IMM connection

Solenoid operating voltage, 24 V DC

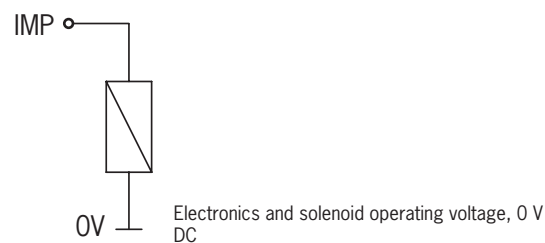
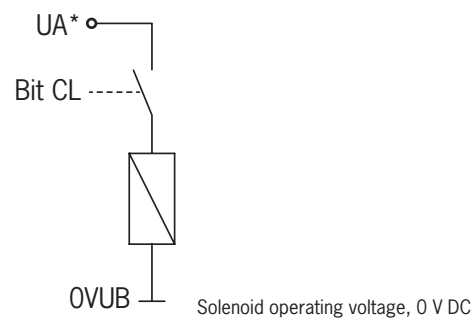


Fig. 4: Connection example without IMM connection

10.6.3. Guard locking control for variants with UA connection

Auxiliary voltage* at guard locking solenoid



Solenoid operating voltage, 0 V DC

* In some product variants the auxiliary voltage UA is connected internally to the operating voltage UB.

Fig. 5: Connection example with UA connection

10.7. Notes on operation with safe control systems

Observe the following guidelines for connection to safe control systems:

- › Use a common power supply for the control system and the connected safety switches.
- › A pulsed power supply must not be used for UB. Tap the supply voltage directly from the power supply unit. If the power supply is connected to a terminal of a safe control system, this output must provide sufficient electrical current.
- › Always connect inputs F11A and F11B directly to a power supply unit or to outputs F01A and F01B of another EUCHNER BR device (series connection). Pulsed signals must not be present at inputs F11A and F11B.
- › The safety outputs F01A and F01B can be connected to the safe inputs of a control system. Prerequisite: The input must be suitable for pulsed safety signals (OSSD signals, e.g. from light grids). The control system must tolerate test pulses on the input signals. This normally can be set up by parameter assignment in the control system. Observe the notes of the control system manufacturer. For the test pulse duration of your safety switch, refer to chapter 16. *Technical data on page 39.*

A detailed example of connecting and setting the parameters of the control system is available for many devices at www.euchner.com in the area *Downloads/Applications/CTP... or CTA....* The features of the respective device are dealt with there in greater detail.

10.8. Connection without and with IO-Link communication

10.8.1. Series connection without IO-Link communication

Only the safety and monitoring outputs are switched with this connection method.

With a series connection, the safety signals are looped through from device to device.

10.8.2. Series connection with IO-Link communication

If, in addition to the safety function, detailed monitoring and diagnostic data are to be processed, a BR/IO-Link Gateway is required. To poll the communication data from the connected devices, communication connection C is routed to the BR/IO-Link Gateway.

You will find further information in the operating instructions for your BR/IO-Link Gateway.

11. Connection of a single CTP/CTA-BR (separate operation)

If a single CTP/CTA-BR is used, connect the device as shown in Fig. 6. The monitoring outputs can be routed to a control system.

The following applies to devices with RST input: The switch can be reset using the RST input. To do this, a voltage of 24 V is applied to the RST input for at least 3 s. The RST input must be connected to 0 V if it is not used.

If there is an internal error (see chapter 15. System status table CTP/CTA-L1/2-BR on page 38), the reset does not work.



WARNING

In the event of a fault, loss of the safety function due to incorrect connection.

› To ensure safety, both safety outputs FO1A and FO1B must always be evaluated.



Important!

› The example shows only an excerpt that is relevant for connection of the CTP/CTA system. The example illustrated here does not show complete system planning. The user is responsible for safe integration into the overall system. Detailed application examples can be found at www.euchner.com. Simply enter the order number of your switch in the search box. You will find all available connection examples for the device in *Downloads*.

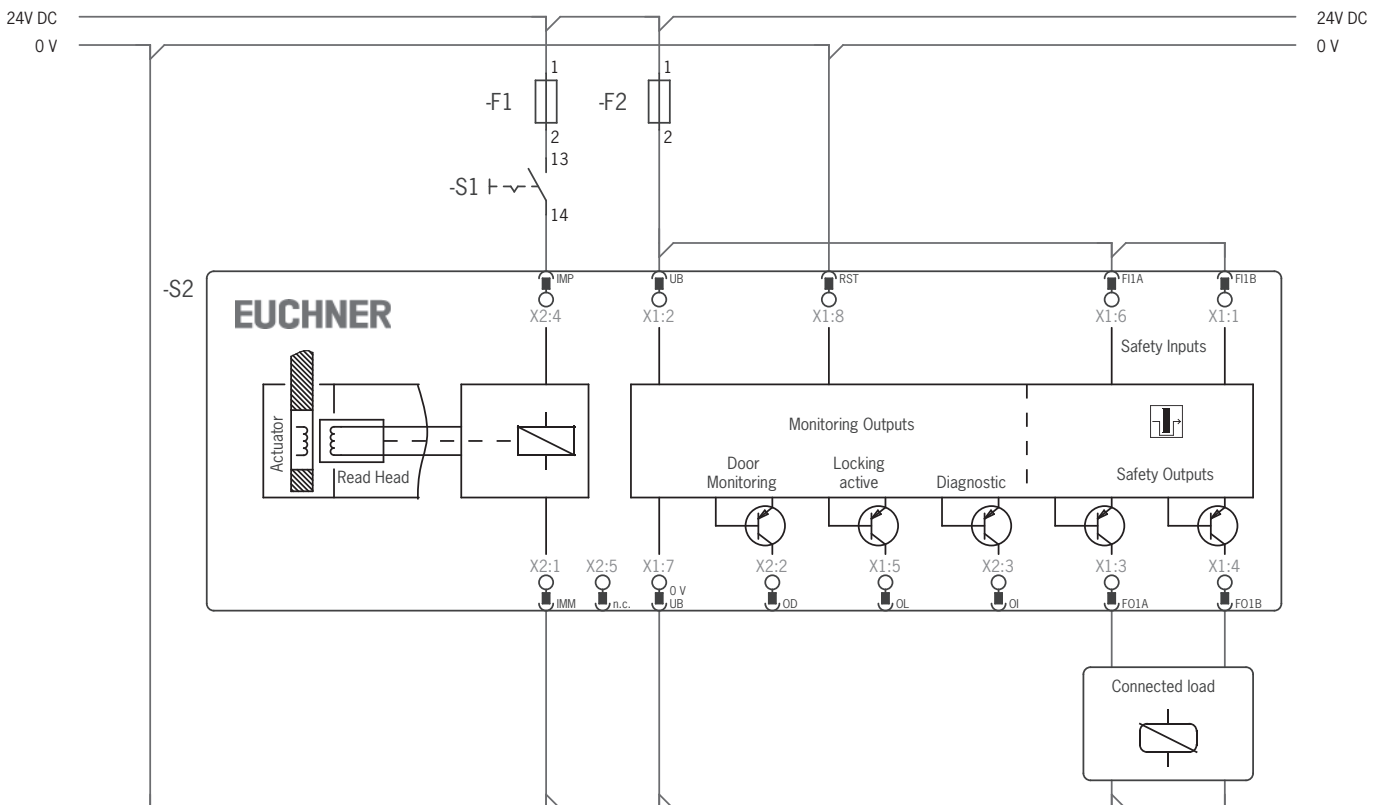


Fig. 6: Connection example for separate operation, version with plug connectors 2xM12

12. Connection of several devices in a switch chain (series connection)



WARNING

In the event of a fault, loss of the safety function due to incorrect connection.

- › To ensure safety, both safety outputs FO1A and FO1B must always be evaluated.



Important!

- › A BR switch chain may contain a maximum of 20 safety switches.
- › The example shows only an excerpt that is relevant for connection of the CTP/CTA system. The example illustrated here does not show complete system planning. The user is responsible for safe integration into the overall system. Detailed application examples can be found at www.euchner.com. Simply enter the order number of your switch in the search box. You will find all available connection examples for the device in *Downloads*.
- › Make sure you use the correct Y-distributors. See chapter 12.2.3. *Connector assignment of Y-distributor for series connection without IO-Link communication on page 30* and chapter 12.2.4. *Connector assignment of Y-distributor for series connection with IO-Link communication on page 32*.

12.1. Series connection with wiring in the control cabinet

The series connection can be realized via additional terminals in a control cabinet.

The safety outputs are permanently assigned to the respective safety inputs of the downstream switch. F01A must be routed to F11A and F01B to F11B. If the connections are interchanged (e.g. F01A to F11B), the downstream device will enter the fault state.

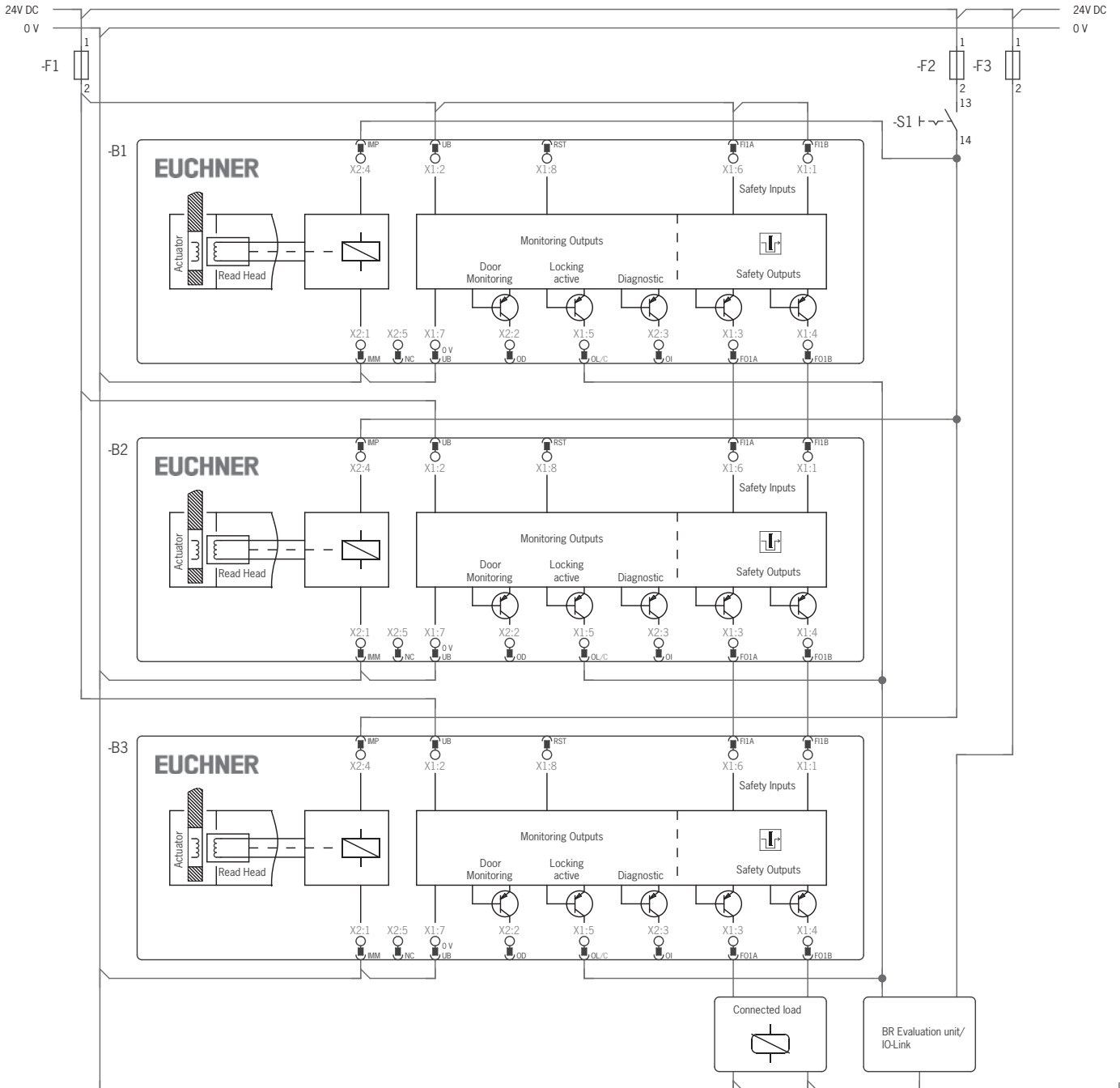


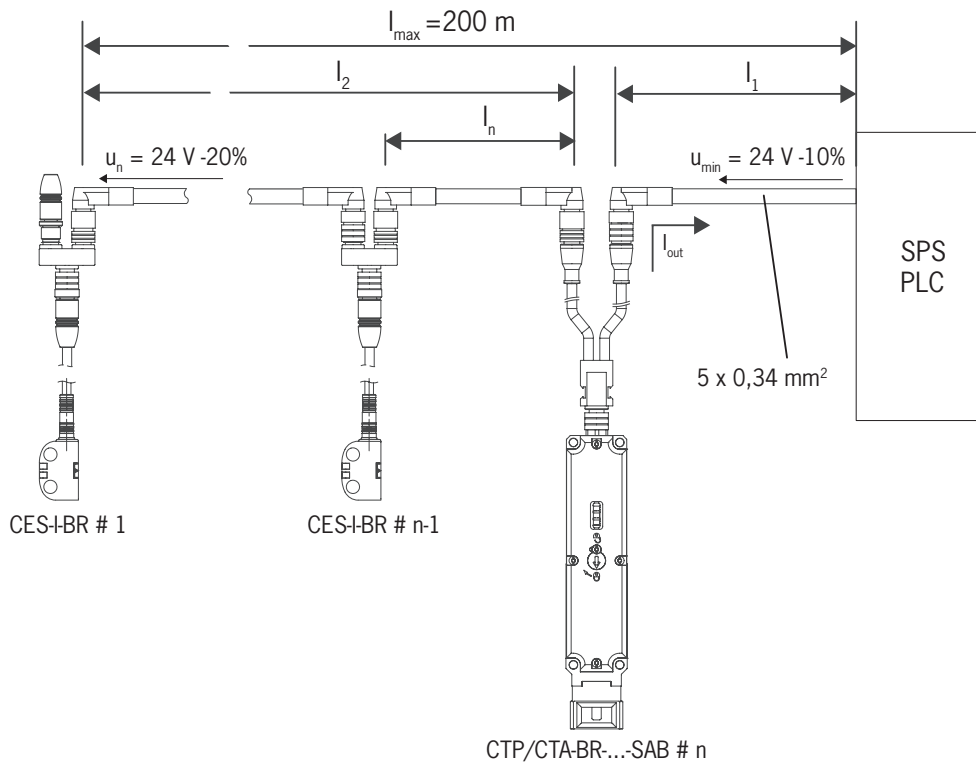
Fig. 7: Connection example for series connection with wiring in the control cabinet

12.2. Series connection with Y-distributors

The series connection is shown here based on the example of the version with plug connector M12. The switches are connected one behind the other with the aid of pre-assembled connecting cables and Y-distributors. If a safety door is opened or if a fault occurs on one of the switches, the system shuts down the machine.

12.2.1. Maximum cable lengths

For devices with IMP/IMM inputs, switch chains are permitted up to a maximum overall cable length of 200 m taking into account the voltage drop as a result of the cable resistance (see table below with example data and case example).



n Max. number of switches	$I_{F01A/F01B}$ (mA) Possible output current per channel F01A/F01B	l_1 (m) Max. cable length from the last switch to the control system
5	10	150
	25	100
	50	80
	100	50
	150	25
6	10	120
	25	90
	50	70
	100	50
	150	25
10	10	70
	25	60
	50	50
	100	40
	150	25

12.2.2. Determining cable lengths using the example table

Example: 6 switches are to be used in series. Cabling with a length of 40 m is routed from a safety relay in the control cabinet to the last switch (#6). Cables with a length of 20 m each are connected between the individual safety switches.

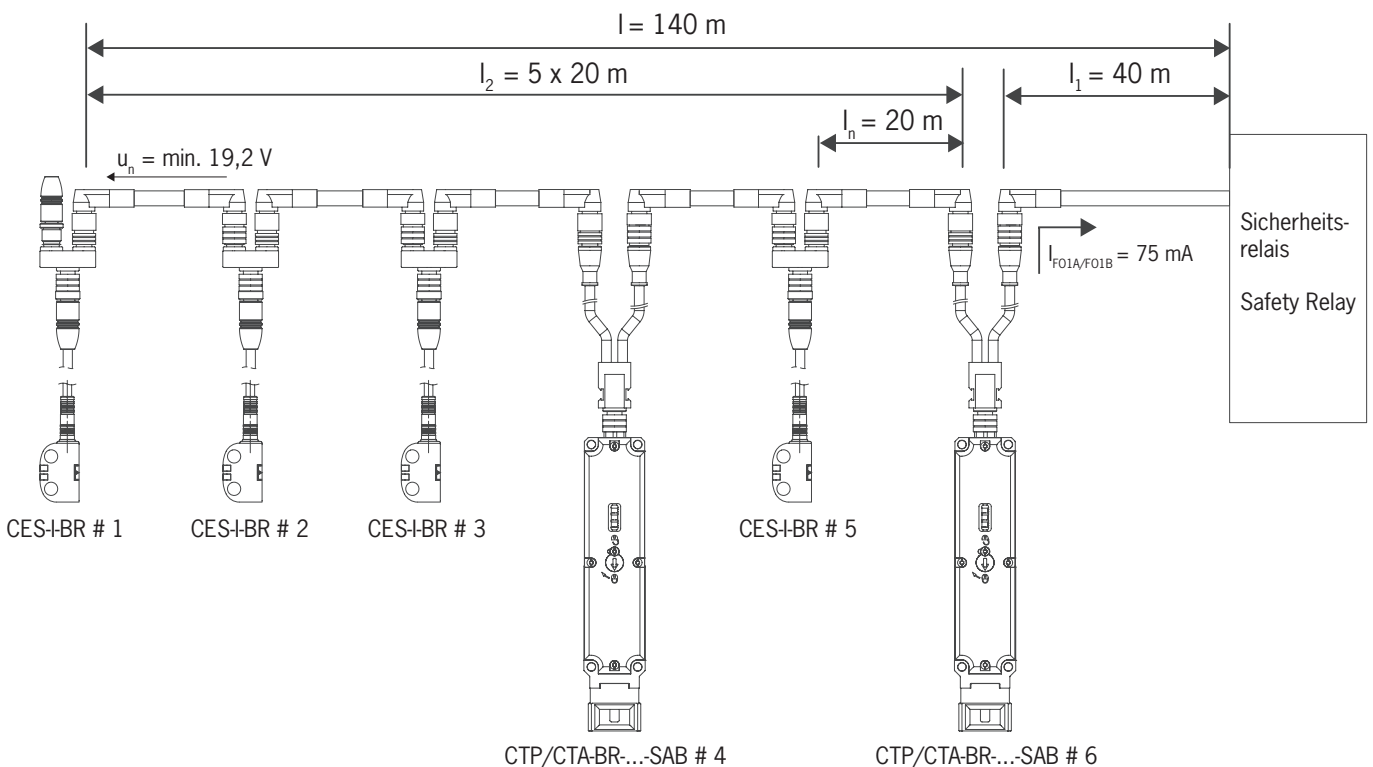


Fig. 8: Circuit example with six CES-C07/CTP/CTA-BR...-SAB

A safety relay is connected downstream that consumes 75 mA at each of the two safety inputs. This operates over the whole temperature range with a voltage of 19.2 V (corresponds to 24 V -20%).

All the relevant values can now be determined using the example table:

1. Select the corresponding section in the column n (max. number of switches). In this case: 6 switches.
 2. In the column $I_{F01A/F01B}$ (possible output current per channel F01A/F01B), find a current greater than or equal to 75 mA. In this case: 100 mA.
- ➔ It is then possible to determine the maximum cable length from the last switch (#6) to the control system from column l_1 . In this case, a length of 50 m is permitted.

Result: The desired cable length l_1 of 40 m is below the permitted value from the table. The overall length of the switch chain l_{max} of 140 m is less than the maximum value of 200 m.

- ➔ The planned application is therefore functional in this form.

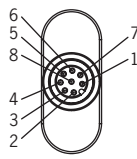
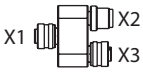
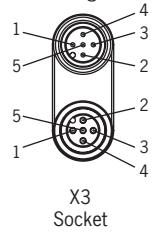
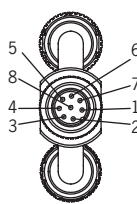
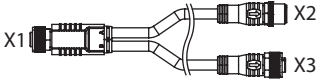
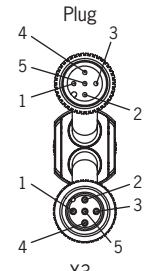
12.2.3. Connector assignment of Y-distributor for series connection without IO-Link communication

(only for version with plug connectors 2 x M12)



Important!

- The switch chain must always be terminated with strapping plug 097645.
- A higher-level control system cannot detect which safety door is open or on which switch a fault has occurred with this connection technology.

Plug connector X1	Y-distributor	Plug connector X2 /X3																																		
<p style="text-align: center;">X1 Socket</p>  <table border="1" style="margin-left: auto; margin-right: auto;"> <thead> <tr> <th colspan="2">X1</th> </tr> <tr> <th>Pin</th> <th>Function</th> </tr> </thead> <tbody> <tr> <td>X1.1</td> <td>F11B</td> </tr> <tr> <td>X1.2</td> <td>UB</td> </tr> <tr> <td>X1.3</td> <td>F01A</td> </tr> <tr> <td>X1.4</td> <td>F01B</td> </tr> <tr> <td>X1.5</td> <td>n.c.</td> </tr> <tr> <td>X1.6</td> <td>F11A</td> </tr> <tr> <td>X1.7</td> <td>OVUB</td> </tr> <tr> <td>X1.8</td> <td>*</td> </tr> </tbody> </table>	X1		Pin	Function	X1.1	F11B	X1.2	UB	X1.3	F01A	X1.4	F01B	X1.5	n.c.	X1.6	F11A	X1.7	OVUB	X1.8	*	<p style="text-align: center;">097627</p> 	<p style="text-align: center;">X2 Plug</p>  <table border="1" style="margin-left: auto; margin-right: auto;"> <thead> <tr> <th colspan="2">X2</th> </tr> <tr> <th>Pin</th> <th>Function</th> </tr> </thead> <tbody> <tr> <td>X2.1</td> <td>UB</td> </tr> <tr> <td>X2.2</td> <td>F01A</td> </tr> <tr> <td>X2.3</td> <td>0 V</td> </tr> <tr> <td>X2.4</td> <td>F01B</td> </tr> <tr> <td>X2.5</td> <td>*</td> </tr> </tbody> </table>	X2		Pin	Function	X2.1	UB	X2.2	F01A	X2.3	0 V	X2.4	F01B	X2.5	*
X1																																				
Pin	Function																																			
X1.1	F11B																																			
X1.2	UB																																			
X1.3	F01A																																			
X1.4	F01B																																			
X1.5	n.c.																																			
X1.6	F11A																																			
X1.7	OVUB																																			
X1.8	*																																			
X2																																				
Pin	Function																																			
X2.1	UB																																			
X2.2	F01A																																			
X2.3	0 V																																			
X2.4	F01B																																			
X2.5	*																																			
<p style="text-align: center;">X1 Socket</p> 	<p style="text-align: center;">111696 112395</p>  <p style="text-align: center;">With connecting cable</p>	<p style="text-align: center;">X2 Plug</p>  <table border="1" style="margin-left: auto; margin-right: auto;"> <thead> <tr> <th colspan="2">X3</th> </tr> <tr> <th>Pin</th> <th>Function</th> </tr> </thead> <tbody> <tr> <td>X3.1</td> <td>UB</td> </tr> <tr> <td>X3.2</td> <td>F11A</td> </tr> <tr> <td>X3.3</td> <td>0 V</td> </tr> <tr> <td>X3.4</td> <td>F11B</td> </tr> <tr> <td>X3.5</td> <td>*</td> </tr> </tbody> </table>	X3		Pin	Function	X3.1	UB	X3.2	F11A	X3.3	0 V	X3.4	F11B	X3.5	*																				
X3																																				
Pin	Function																																			
X3.1	UB																																			
X3.2	F11A																																			
X3.3	0 V																																			
X3.4	F11B																																			
X3.5	*																																			

* Function and compatibility are dependent on the connector assignment of the device connected.

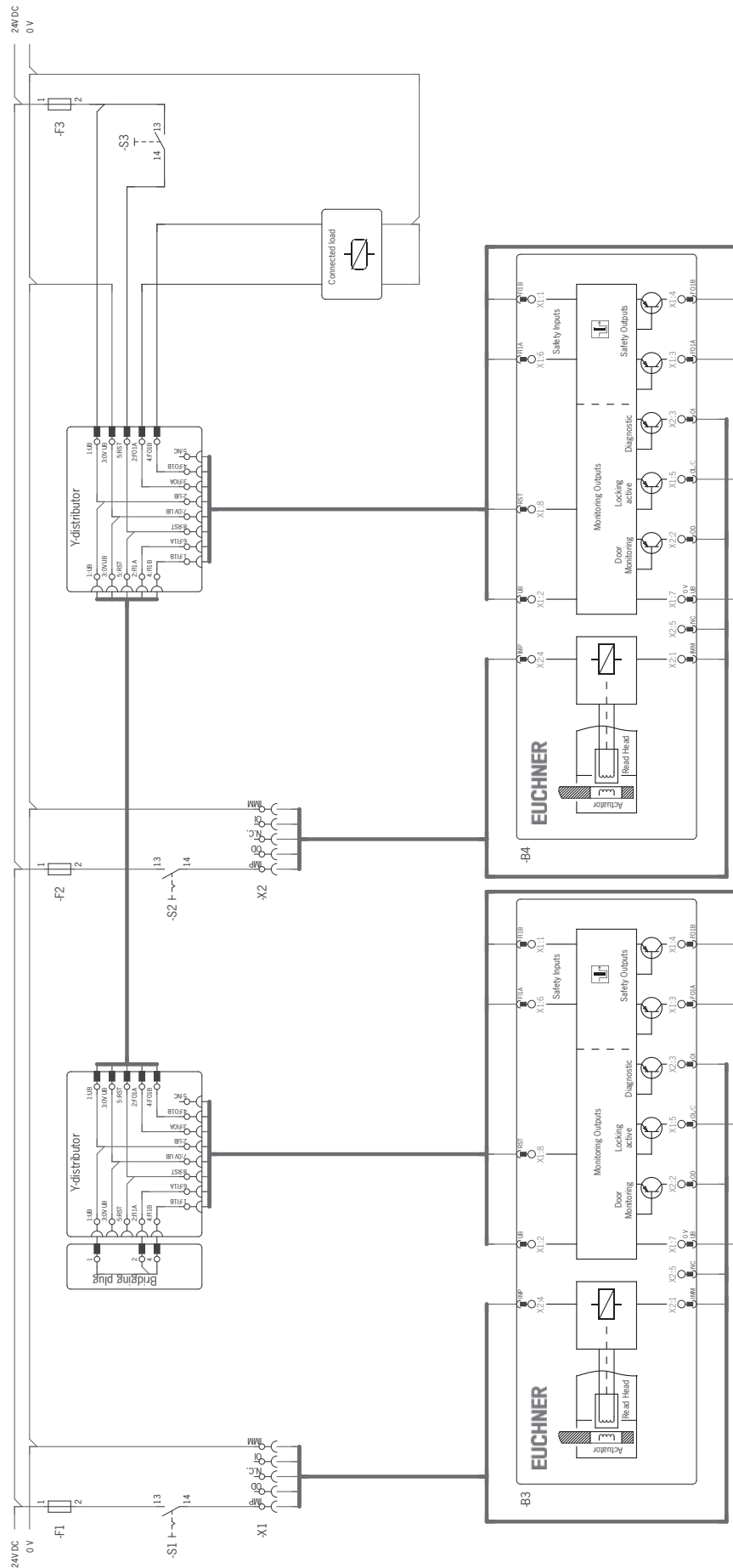


Fig. 9: Connection example for series connection without IO-Link communication

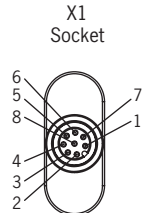
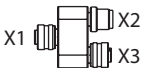
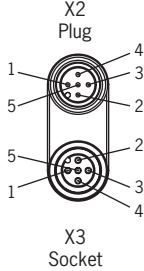
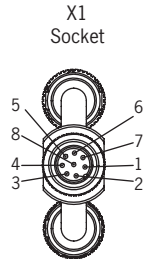
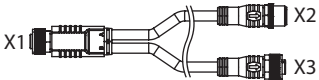
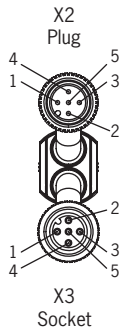
12.2.4. Connector assignment of Y-distributor for series connection with IO-Link communication

(only for version with plug connectors 2 x M12)



Important!

- › These Y-distributors can be used only with device variants that control guard locking via IO-Link communication.
- › The switch chain must always be terminated with strapping plug 097645.

Plug connector X1	Y-distributor	Plug connector X2 / X3																																		
<table border="1"> <thead> <tr> <th colspan="2">X1</th> </tr> <tr> <th>Pin</th> <th>Function</th> </tr> </thead> <tbody> <tr> <td>X1.1</td> <td>FI1B</td> </tr> <tr> <td>X1.2</td> <td>UB</td> </tr> <tr> <td>X1.3</td> <td>F01A</td> </tr> <tr> <td>X1.4</td> <td>F01B</td> </tr> <tr> <td>X1.5</td> <td>C</td> </tr> <tr> <td>X1.6</td> <td>FI1A</td> </tr> <tr> <td>X1.7</td> <td>OVUB</td> </tr> <tr> <td>X1.8</td> <td>n.c.</td> </tr> </tbody> </table> 	X1		Pin	Function	X1.1	FI1B	X1.2	UB	X1.3	F01A	X1.4	F01B	X1.5	C	X1.6	FI1A	X1.7	OVUB	X1.8	n.c.	<p>157913</p> 	 <table border="1"> <thead> <tr> <th colspan="2">X2</th> </tr> <tr> <th>Pin</th> <th>Function</th> </tr> </thead> <tbody> <tr> <td>X2.1</td> <td>UB</td> </tr> <tr> <td>X2.2</td> <td>F01A</td> </tr> <tr> <td>X2.3</td> <td>0 V</td> </tr> <tr> <td>X2.4</td> <td>F01B</td> </tr> <tr> <td>X2.5</td> <td>C</td> </tr> </tbody> </table>	X2		Pin	Function	X2.1	UB	X2.2	F01A	X2.3	0 V	X2.4	F01B	X2.5	C
X1																																				
Pin	Function																																			
X1.1	FI1B																																			
X1.2	UB																																			
X1.3	F01A																																			
X1.4	F01B																																			
X1.5	C																																			
X1.6	FI1A																																			
X1.7	OVUB																																			
X1.8	n.c.																																			
X2																																				
Pin	Function																																			
X2.1	UB																																			
X2.2	F01A																																			
X2.3	0 V																																			
X2.4	F01B																																			
X2.5	C																																			
	<p>158192 158193</p>  <p>With connecting cable</p>	 <table border="1"> <thead> <tr> <th colspan="2">X3</th> </tr> <tr> <th>Pin</th> <th>Function</th> </tr> </thead> <tbody> <tr> <td>X3.1</td> <td>UB</td> </tr> <tr> <td>X3.2</td> <td>FI1A</td> </tr> <tr> <td>X3.3</td> <td>0 V</td> </tr> <tr> <td>X3.4</td> <td>FI1B</td> </tr> <tr> <td>X3.5</td> <td>C</td> </tr> </tbody> </table>	X3		Pin	Function	X3.1	UB	X3.2	FI1A	X3.3	0 V	X3.4	FI1B	X3.5	C																				
X3																																				
Pin	Function																																			
X3.1	UB																																			
X3.2	FI1A																																			
X3.3	0 V																																			
X3.4	FI1B																																			
X3.5	C																																			

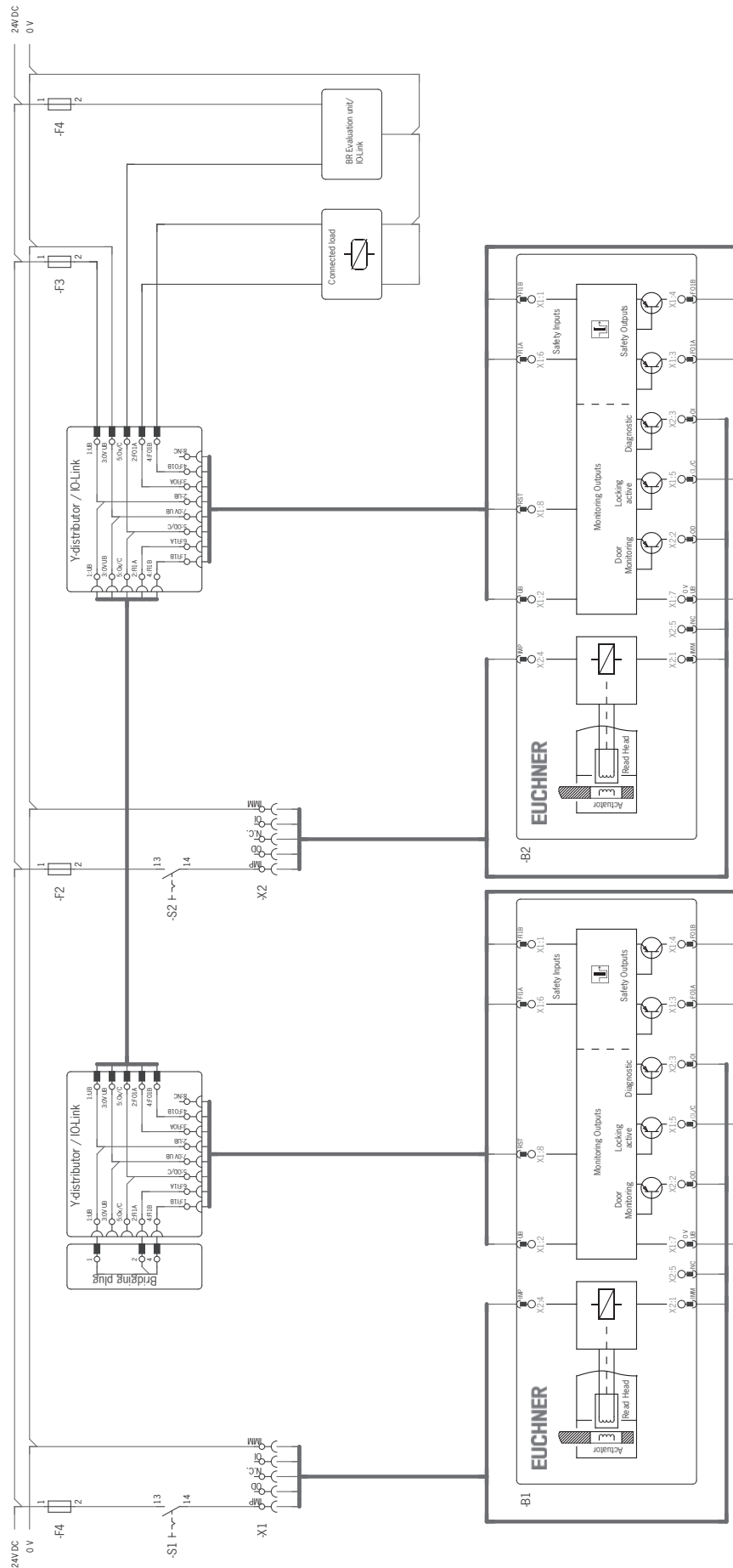


Fig. 10: Connection example for series connection with IO-Link communication

13. Using communication data

A BR/IO-Link Gateway is required to use the device's communication data and forward them to a higher-level bus system. The following devices are suitable:

- GWY-CB-1-BR-IO (BR/IO-Link Gateway)
- ESM-CB (safety relay with integrated BR/IO-Link Gateway)

13.1. Connection to a BR/IO-Link Gateway GWY-CB

The Gateway is an IO-Link device. Communication via IO-Link offers cyclical (process data) and acyclical (device data and events) data exchange (see chapter 13.3. Overview of the communication data on page 34).

The communication connection C on the device allows the diagnostic line to be connected to the Gateway. The Ox/C connection represents a non-safety-related communication channel between the Gateway and the connected devices.

IO-Link communication can be used for the following functions as well:

- Reset for acknowledging error messages

You will find further information in the operating instructions for your BR/IO-Link Gateway.

13.2. Connection to a safety relay ESM-CB

The safety relay ESM-CB features an integrated BR/IO-Link Gateway. In addition to functioning as an IO-Link device (see chapter 13.1. Connection to a BR/IO-Link Gateway GWY-CB on page 34), the device can be used for connecting two monitored single- or dual-channel sensor circuits. The sensor circuits evaluate various signaling devices:

- Sensor circuit S1 with short circuit detection; suitable for single- or dual-channel safety sensors
- Sensor circuit S2, suitable for OSSD signals; short circuit detection by signaling device

When at least one sensor circuit is interrupted, the safety relay initiates the safe state. Different relay starting behaviors and various monitoring functions are possible.

The device's safety outputs FO1A and FO1B are routed to the OSSD inputs of the safety relay. The OD/C connection of the device allows the diagnostic line to be connected to the Gateway.

You will find further information in the operating instructions for your safety relay with integrated BR/IO-Link Gateway.

13.3. Overview of the communication data

The switch transmits both process data that are continuously transmitted to the evaluation unit (cyclical data) and data that can be polled specifically as needed (acyclical data). For further information on connection and on the communication data, refer to the operating instructions for your BR/IO-Link Gateway.

13.3.1. Cyclical data (process data)

Table 2: Cyclical data (process data)

	Bit 7	Bit 6	Bit 5	Bit 4	Bit 3	Bit 2	Bit 1	Bit 0
Byte 1	OI	-	OER	-	OM	OQ	-	OD
Byte 2	S1	S2	S3	-	OLS	-	OL	-

Table 3: Status and control data

	Bit 7	Bit 6	Bit 5	Bit 4	Bit 3	Bit 2	Bit 1	Bit 0
Byte 1	H1	H2	H3	H1_B	H2_B	H3_B	-	CL

 Extended version

 Version with control by BR

13.3.2. Acyclical data (device data and events)

After one of the commands listed below is sent, the requested data are provided via the IO-Link Gateway.

The following applies to CTP devices of version V1.3.X and to CTA devices of version V2.1.X: The reply message always consists of 8 bytes in big endian format.

Example 1: Reply message in response to the command *Send device ID number/serial number*: 06 **02 68 E0 00 01 17 00**

In this example, the device's ID number is **157920** and its serial number is **279**.

Byte number	Byte 0	Byte 1	Byte 2	Byte 3	Byte 4	Byte 5	Byte 6	Byte 7
Reply in hex	06	02	68	E0	00	01	17	00
Description	User data length in bytes	Device ID number			Serial number		Padding data	
Reply in dec.	6 bytes	157920			279		-	

Command		Reply	
HEX	Meaning	Number of bytes	Bit sequences (big endian format)
2	Send device ID number/serial number	6	Bytes 1 - 3 Device ID number
			Bytes 4 - 6 Serial number
3	Send version number of the device	5	Byte 1 (V)
			Bytes 2 - 4 Version number
5	Send number of devices in series connection	1	
A	Flashing frequency and position LED	1	Only on EXTENDED variants
11	Send number of switching cycles (solenoid)	3	
12	Send current error code	1	
13	Send most recently saved error code	1	
14	Send size of log file	1	
15	Send entry from log file with index	1	
16	Send current actuator code	5	Bytes 3 - 4
17	Send taught-in actuator code	5	Bytes 3 - 4
18	Send disabled actuator code	5	Bytes 3 - 4
19	Send applied voltage in mV	2	
1A	Send current temperature in °C	1	
1B	Send number of switching cycles	3	
1D	Reset for acknowledging error messages ¹⁾	-	
1E	Factory reset	1	0x1E – Factory reset performed

¹⁾ Each BR device must be addressed individually in a chain.

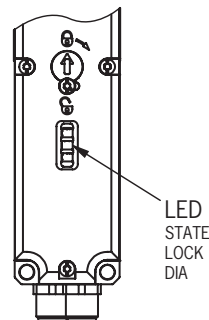
For more information on these and other acyclical data, refer to the operating instructions for your BR/IO-Link Gateway.

14. Setup

14.1. LED displays

You will find a detailed description of the signal functions in chapter 15. *System status table CTP/CTA-L1/2-BR on page 38.*

LED	Color
STATE	green
LOCK	yellow
DIA	red



14.2. Teaching-in actuator (only for unicode evaluation)

The actuator must be allocated to the safety switch using a teach-in function before the system forms a functional unit.

During a teach-in operation, the safety outputs are switched off, i.e. the system is in the safe state.

The teach-in operation starts automatically. The number of possible teach-in operations is unlimited.



Tip!

Prior to switching on, close the guard on which the actuator to be taught-in is installed. The teach-in operation starts immediately after switching on. This feature simplifies above all teach-in with series connections and on large installations.



Important!

- › The teach-in operation can be performed only if the device does not have any internal fault.
- › Devices in the condition as supplied remain in teach-in standby state until they have successfully taught-in the first actuator. Once taught-in, switches remain in the teach-in standby state for approx. 3 min. after each switch-on.
- › The safety switch disables the code of the preceding device if teach-in is carried out for a new actuator. Teach-in is not possible again immediately for this device if a new teach-in operation is carried out. The disabled code is released again in the safety switch only after a third code has been taught-in.
- › The safety switch can be operated only with the last actuator taught-in.
- › If the switch detects the actuator that was most recently taught-in when in the teach-in standby state, this state is ended immediately and the switch changes to normal operation.
- › The actuator to be taught-in is not activated if it is within the actuating range for less than 30 s.

1. Establish teach-in standby:

- Devices in the condition as supplied: unlimited teach-in standby after switching on.
- Switch already taught-in: teach-in standby is available for approx. 3 min after switching on.

➔ Teach-in standby indication, STATE LED flashes 3x repeatedly.

2. Insert the actuator during teach-in standby.

➔ The automatic teach-in operation starts (duration approx. 30 s).

During the teach-in operation the STATE LED flashes (approx. 1 Hz).

Alternate flashing of the STATE and DIA LEDs acknowledges the successful teach-in operation.

Teach-in errors are indicated by the illumination of the red DIA LED and a flashing code on the green STATE LED (see chapter 15. *System status table CTP/CTA-L1/2-BR on page 38*).

3. Switch off operating voltage (min. 3 s).

➔ The code of the actuator that was just taught-in is activated in the safety switch.

4. Switch on operating voltage.

➔ The device operates normally.

14.3. Functional check



WARNING

Danger of fatal injury as a result of faults in installation and functional check.

- › Before carrying out the functional check, make sure that there are no persons in the danger zone.
- › Observe the valid accident prevention regulations.

14.3.1. Mechanical function test

The actuator must slide easily into the actuating head. Close the guard several times to check the function. For devices with mechanical release (emergency release or escape release), the correct function of the release must be checked as well.

14.3.2. Electrical function test

After installation and after any fault, the safety function must be fully checked. Proceed as follows:

1. Switch on operating voltage.

- ➔ The machine must not start automatically.
- ➔ The safety switch carries out a self-test. The green STATE LED then flashes at regular intervals.

2. Close all guards. In case of guard locking by solenoid force: activate guard locking.

- ➔ The machine must not start automatically. It must not be possible to open the guard.
- ➔ The green STATE LED illuminates continuously.

3. Enable operation in the control system.

- ➔ It must not be possible to deactivate guard locking as long as operation is enabled.

4. Disable operation in the control system and deactivate guard locking.


- ➔ The guard must remain locked until there is no longer any risk of injury.
- ➔ It must not be possible to start the machine as long as guard locking is deactivated.

Repeat steps 2 - 4 for each guard.

14.4. Factory reset

Before switching on, connect the two outputs FO1A and FO1B to 0 V or set the bit 0x1E via IO-Link communication.

15. System status table CTP/CTA-L1/2-BR

Operating mode	Actuator/door position	Safety outputs FO1A and FO1B 	Guard locking signal OL	Door position signal OD	LED indicator Output			State
					STATE (green)	DIA (red) and di-agnostic signal OI	LOCK (yellow)	
Self-test	X	off	off	off	5 Hz	○	○	Self-test after power-up
	X	off	off	off	5 Hz	1 x	○	No communication with the BR/IO-Link Gateway
Normal operation	closed	on	on	on		○		Normal operation, door closed and locked
	closed	off	on	on	1 x in-verse	○		Normal operation, door closed and locked, safety outputs not switched because: - Preceding device in the switch chain signals <i>door open</i> (only with series connection)
	open	off	off	off	1 x	○	1 x	Normal operation, door open, ready for guard locking
	closed	off	off	on	1 x in-verse	○	○	Normal operation, door closed and not locked
	open	off	off	off	1 x	○	○	Normal operation, door open
Teach-in operation (only unicode)	open	off	off	off	3 x	○	○	Device in teach-in standby
	closed	off	X	on	1 Hz	○	○	Teach-in operation
	X	off	X	X	↔		○	Positive acknowledgment after completion of teach-in operation
Fault display	X	off	x	x	1 x	or 1 x in-verse	○	Error in the teach-in operation (only unicode) Actuator removed from the actuating range prior to the end of the teach-in operation or faulty actuator detected
	X	off	off	off	2 x		○	Input fault (e.g. missing test pulses, illogical switch state from previous switch in the switch chain)
	X	off	off	off	3 x		○	Read error (e.g. actuator faulty)
	X	off	off	off	4 x		○	Output fault (e.g. short circuit, loss of switching ability)
	X	off	X	X	5 x		○	Disabled actuator detected/environment error
	X	off	off	off	○			○
Key to symbols					○		LED not illuminated	
							LED illuminated	
					1 x in-verse	1 x in-verse waveform	LED illuminated, briefly goes off 1 x	
					5 Hz	5 Hz waveform	LED flashes at 5 Hz	
					3 x	3 x waveform	LED flashes three times, and this is then repeated	
					↔		LEDs flash alternately	
					X		Any state	

When DIA flashes inversely once, the fault display can generally be reset by opening and closing the guard after remedying the cause. If the fault is still displayed afterward, as well as for all other fault displays, briefly interrupt the power supply. Contact the manufacturer if the fault display is not reset after restarting.



Important!

If you do not find the displayed device status in the system status table, this indicates an internal device fault. In this case, contact the manufacturer.

16. Technical data



NOTICE

If a data sheet is available for the product, the information on the data sheet applies.

16.1. Technical data for safety switch CTP-L1/2-BR

Parameter	Value			Unit
	min.	typ.	max.	
General				
Material - Switch head - Switch housing	Die-cast zinc Reinforced thermoplastic			
Installation orientation	Any			
Degree of protection	IP65/IP67/IP69/IP69K			
	with plug connector M12	IP65/IP67		
	with plug connector M23	(screwed tight with the related mating connector)		
Safety class acc. to EN IEC 61558	III			
Degree of contamination	3			
Mechanical life	1 x 10 ⁶ operating cycles			
Ambient temperature at U _B = 24 V	-20	-	+55	°C
Actuator approach speed, max.	20			m/min
Actuating/extraction/retention force at 20 °C	10/20/20			N
Locking force F _{max} ¹⁾	3,900			N
Locking force F _{Zh} ¹⁾ acc. to EN ISO 14119	F _{Zh} = F _{max} /1.3 = 3,000			N
Weight	Approx. 0.42			kg
Connection (depending on version)	2 plug connectors M12, 5- and 8-pin / 1 plug connector RC18, 19-pin			
Operating voltage U _B (reverse polarity protected, regulated, residual ripple < 5%)	24 ± 15% (PELV)			V DC
Current consumption I _{UB}	40			mA
The following applies to the approval acc. to UL	Operation only with UL Class 2 power supply or equivalent measures			
Switching load acc. to UL	24 V DC, Class 2			
External fuse (operating voltage U _B) ²⁾	0.25	-	8	A
External fuse (solenoid operating voltage U _{IMP}) ²⁾	0.5	-	8	A
Rated insulation voltage U _i	-	-	50	V
Rated impulse withstand voltage U _{imp}	-	-	0.5	kV
Rated conditional short-circuit current	100			A
Shock and vibration resistance	Acc. to EN 60947-5-3			
EMC protection requirements	Acc. to EN 60947-5-3			
Ready delay	-	5	-	s
Risk time for single device	-	-	260	ms
Risk time extension per device	5			ms
Turn-on time	-	-	150	ms
Discrepancy time	-	-	10	ms
Test pulse duration ³⁾	0.3			ms
Test pulse interval	100	-	-	ms
Safety outputs F01A/F01B Semiconductor outputs, p-switching, short circuit-proof				
- Output voltage U _{F01A} /U _{F01B} ⁴⁾				
HIGH U _{F01A} /U _{F01B}	U _B - 1.5	-	U _B	V DC
LOW U _{F01A} /U _{F01B}	0	-	1	
Switching current per safety output	1	-	150	mA
Utilization category acc. to EN 60947-5-2	DC-13 24V 150 mA Caution: outputs must be protected with a free-wheeling diode in case of inductive loads			
Switching frequency ⁵⁾	0.5			Hz
Monitoring outputs OL, OI, OD p-switching, short circuit-proof				
Output voltage	0.8 x U _B	-	U _B	V DC
Max. load	-	-	50	mA
Solenoid				
Solenoid operating voltage U _{IMP} (reverse polarity protected, regulated, residual ripple < 5%)	24 V DC -15/+10%			
Solenoid current consumption I _{IMP}	400			mA
Connection rating	6			W
Duty cycle	100			%

Parameter	Value			Unit
	min.	typ.	max.	
Reliability values acc. to EN ISO 13849-1 6)				
Mission time		20		years
Monitoring of guard locking and the guard position				
Category		4		
Performance Level (PL)		e		
PFH _D		5.38 x 10 ⁻⁹ /h		
Control of guard locking				
Category		Depends on external control		
Performance Level (PL)		(with control of guard locking via IO-Link communication, not a safety characteristic)		
PFH _D				

- 1) Dependent on the actuator used
 2) Trip characteristic medium slow-blow
 3) Applies to a load with $C \leq 30 \text{ nF}$ and $R \leq 20 \text{ k}\Omega$
 4) Values at a switching current of 50 mA without taking into account the cable lengths
 5) Corresponds to the actuation frequency
 6) For the issue date, refer to the declaration of conformity in chapter 20

16.2. Technical data for safety switch CTA-L1/2-BR

Parameter	Value			Unit
	min.	typ.	max.	
General				
Material		Die-cast zinc		
- Switch head		Die-cast zinc		
- Switch housing		Die-cast zinc		
Installation orientation		Any		
Degree of protection	with plug connector M12	IP65/IP67/IP69/IP69K		
	with plug connector M23	IP65/IP67		
		(screwed tight with the related mating connector)		
Safety class acc. to EN IEC 61558		III		
Degree of contamination (external, acc. to EN 60947-1)		3		
Mechanical life		1 x 10 ⁶ operating cycles		
Ambient temperature at $U_B = 24 \text{ V}$	-20	-	+55	°C
Actuator approach speed, max.		20		m/min
Actuating/extraction/retention force at 20 °C		10/20/20		N
Locking force F_{max} 1)		8,000		N
Locking force F_{Zh} 1) acc. to TÜV Süd		$F_{\text{Zh}} = F_{\text{max}}/2 = 4,000$		N
Weight		Approx. 0.95		kg
Connection		2 plug connectors M12, 5- and 8-pin / 1 plug connector RC18, 19-pin		
Operating voltage U_B (reverse polarity protected, regulated, residual ripple < 5%)		24 ± 15% (PELV)		V DC
Current consumption I_{UB}		40		mA
The following applies to the approval acc. to UL		Operation only with UL Class 2 power supply or equivalent measures		
Switching load acc. to UL		24 V DC, Class 2		
External fuse (operating voltage U_B) 2)	0.25	-	8	A
External fuse (solenoid operating voltage U_{IMP}) 2)	0.5	-	8	A
Rated insulation voltage U_i	-	-	50	V
Rated impulse withstand voltage U_{imp}	-	-	0.5	kV
Rated conditional short-circuit current		100		A
Shock and vibration resistance		Acc. to EN 60947-5-3		
EMC protection requirements		Acc. to EN 60947-5-3		
Ready delay	-	5	-	s
Risk time for single device	-	-	270	ms
Risk time extension per device		5		ms
Turn-on time	-	-	150	ms
Discrepancy time	-	-	10	ms
Test pulse duration 3)	-	-	0.3	ms
Test pulse interval	100	-	-	ms
Safety outputs F01A/F01B Semiconductor outputs, p-switching, short circuit-proof				
- Output voltage U_{F01A}/U_{F01B} 4)				
HIGH U_{F01A}/U_{F01B}	$U_B - 1.5$	-	U_B	V DC
LOW U_{F01A}/U_{F01B}	0	-	1	
Switching current per safety output	1	-	150	mA
Utilization category acc. to EN 60947-5-2		DC-13 24V 150 mA Caution: outputs must be protected with a free-wheeling diode in case of inductive loads		
Switching frequency 5)		0.5		Hz

Parameter	Value			Unit
	min.	typ.	max.	
Monitoring outputs OL/C, OI, OD				
3 semiconductor outputs, p-switching, short circuit-proof				
Output voltage	$0.8 \times U_B$	-	U_B	V DC
Max. load	1	-	50	mA
Solenoid				
Solenoid operating voltage U_{IMP} (reverse polarity protected, regulated, residual ripple < 5%)	24 V DC -15/+10%			
Solenoid current consumption I_{IMP}	400			mA
Connection rating	6			W
Duty cycle	100			%
Reliability values acc. to EN ISO 13849-1 6)				
Mission time	20			years
Monitoring of guard locking and the guard position				
Category	4			
Performance Level (PL)	e			
PFH_D	$5.38 \times 10^{-9}/h$			
Control of guard locking				
Category	Depends on external control (with control of guard locking via IO-Link communication, not a safety characteristic)			
Performance Level (PL)				
PFH_D				

- 1) Dependent on the actuator used
- 2) Trip characteristic medium slow-blow
- 3) Applies to a load with $C \leq 30 \text{ nF}$ and $R \leq 20 \text{ k}\Omega$
- 4) Values at a switching current of 50 mA without taking into account the cable lengths
- 5) Corresponds to the actuation frequency
- 6) For the issue date, refer to the declaration of conformity in chapter 20

16.3. Typical system times

Refer to the technical data for the exact values.

Ready delay: After switch-on, the device carries out a self-test. The system is ready for operation only after this time.

Turn-on time of safety outputs: The max. reaction time t_{on} is the time from the moment when the guard is locked to the moment when the safety outputs switch on.

Simultaneity monitoring of enable inputs F11A/F11B: If the enable inputs have different switching states for longer than a specific time, the safety outputs FO1A and FO1B will be switched off. The device enters the fault state.

Risk time according to EN 60947-5-3: The risk time is the maximum time until at least one of the safety outputs FO1A or FO1B switches off safely when the actuator is removed from the actuating range. This also applies if an internal or external fault occurs at this moment.

If several devices are operated in a series connection, the risk time of the overall device chain will increase with each device added. Use the following calculation formula:

$$t_r = t_{r,e} + (n \times t_i)$$

t_r = Total risk time

$t_{r,e}$ = Risk time for single device (see technical data)

t_i = Risk time delay per device

n = Number of additional devices (total number -1)

Discrepancy time: The safety outputs FO1A and FO1B switch with a slight time offset. They have the same signal state no later than after the discrepancy time.

Test pulses at the safety outputs: The device generates its own test pulses on the safety outputs FO1A and FO1B. A downstream control system must tolerate these test pulses.

This can usually be set up in the control systems by parameter assignment. If parameter assignment is not possible for your control system or if shorter test pulses are required, contact our support organization.

The test pulses are also output when the safety outputs are switched off.

16.4. Radio frequency approvals

FCC ID: 2AJ58-13

IC: 22052-13



FCC/IC-Requirements

This device complies with part 15 of the FCC Rules and with Industry Canada's licence-exempt RSSs. Operation is subject to the following two conditions:

- 1) This device may not cause harmful interference, and
- 2) this device must accept any interference received, including interference that may cause undesired operation.

Changes or modifications not expressly approved by the party responsible for compliance could void the user's authority to operate the equipment.

NOTE: This equipment has been tested and found to comply with the limits for a Class A digital device, pursuant to part 15 of the FCC Rules. These limits are designed to provide reasonable protection against harmful interference when the equipment is operated in a commercial environment. This equipment generates, uses, and can radiate radio frequency energy and, if not installed and used in accordance with the instruction manual, may cause harmful interference to radio communications.

Operation of this equipment in a residential area is likely to cause harmful interference in which case the user will be required to correct the interference at his own expense.

Le présent appareil est conforme aux CNR d'Industrie Canada applicables aux appareils radio exempts de licence. L'exploitation est autorisée aux deux conditions suivantes :

- (1) l'appareil ne doit pas produire de brouillage, et
- (2) l'utilisateur de l'appareil doit accepter tout brouillage radioélectrique subi, même si le brouillage est susceptible d'en compromettre le fonctionnement.

Supplier's Declaration of Conformity

47 CFR § 2.1077 Compliance Information

Unique Identifier:

CTP-I-AR SERIES
CTP-I1-AR SERIES
CTP-I2-AR SERIES
CTP-IBI-AR SERIES
CTP-L1-AR SERIES
CTP-L2-AR SERIES
CTP-LBI-AR SERIES
CTP-I-AP SERIES
CTP-I1-AP SERIES
CTP-I2-AP SERIES
CTP-IBI-AP SERIES
CTP-L1-AP SERIES
CTP-L2-AP SERIES
CTP-LBI-AP SERIES
CTA-BR SERIES
CTA-BP SERIES
CTP-BR SERIES
CTP-BP SERIES

Responsible Party – U.S. Contact Information

EUCHNER USA Inc.

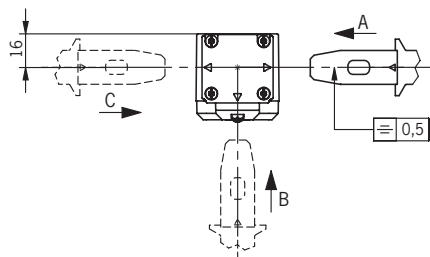
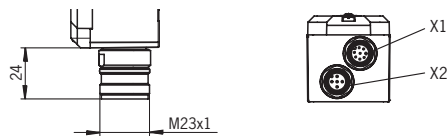
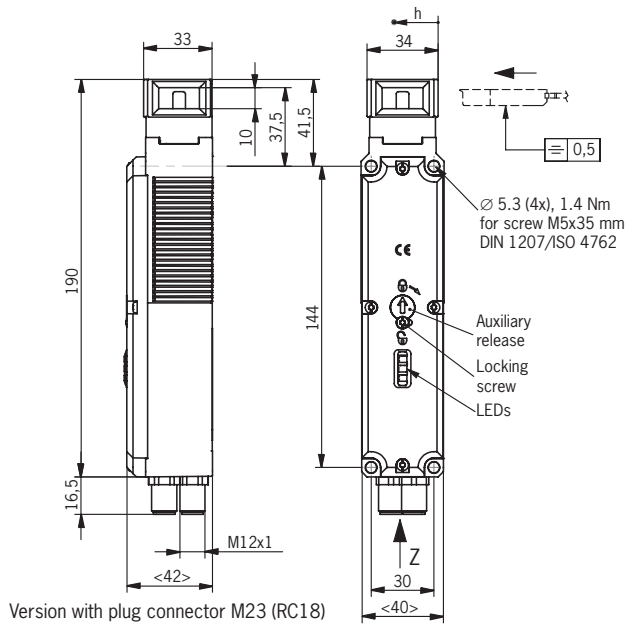
1860 Jarvis Avenue
Elk Grove Village, Illinois 60007

+1 315 701-0315
info(at)euchner-usa.com
<http://www.euchner-usa.com>

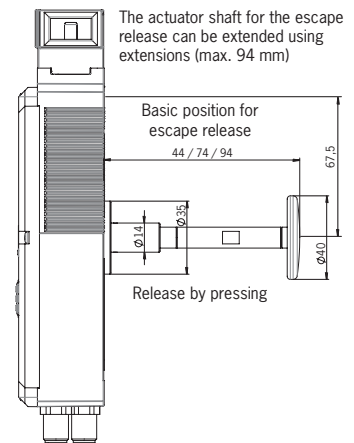
16.5. Dimension drawing for safety switch CTP/CTA...

16.5.1. Dimension drawing for safety switch CTP...

Version with plug connectors 2 x M12

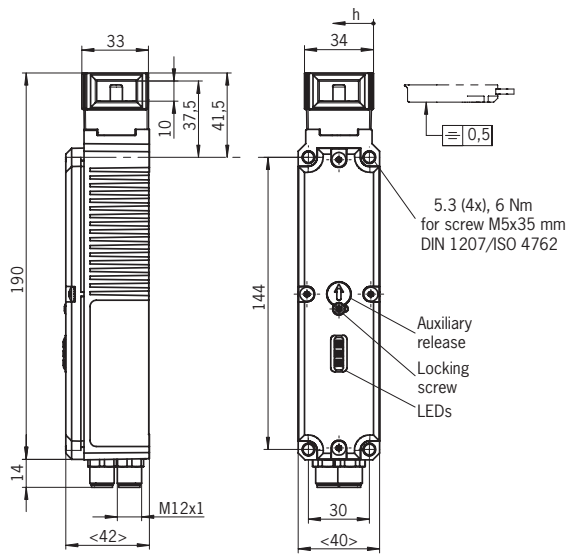


With escape release

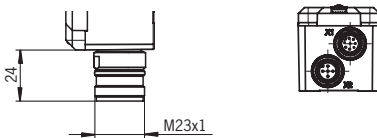


16.5.2. Dimension drawing for safety switch CTA...

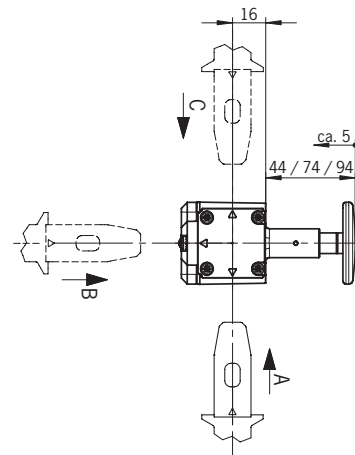
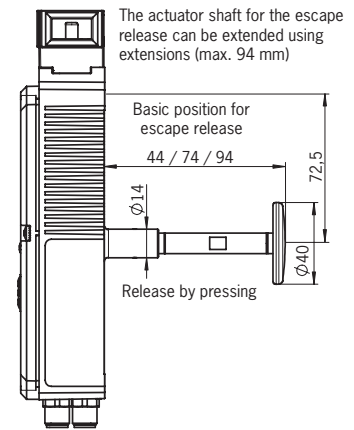
Version with plug connectors 2 x M12



Version with plug connector M23 (RC18)



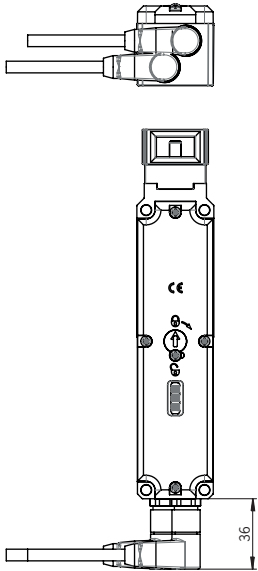
With escape release



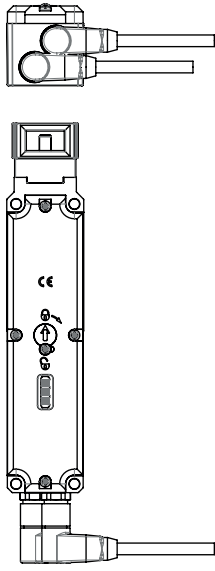
16.5.3. Dimension drawing for connections and variants CTP/CTA ...

Plug connectors 2 x M12

Cable outlet C

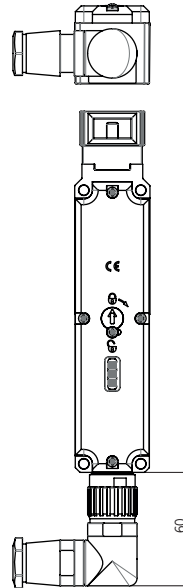


Cable outlet A

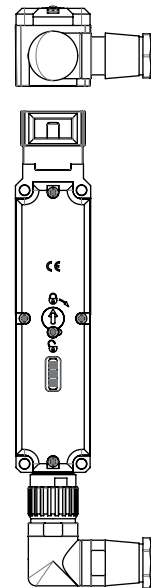


Plug connector M23

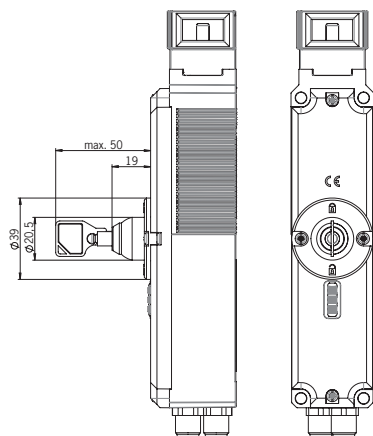
Cable outlet C



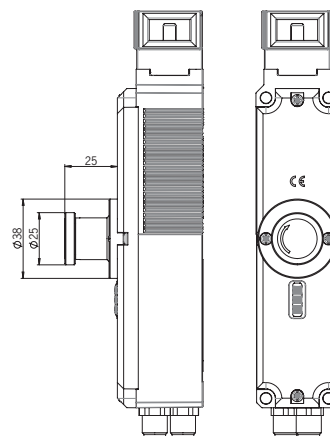
Cable outlet A



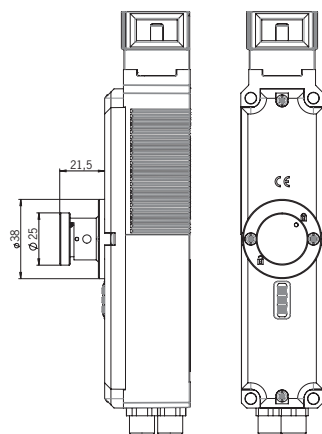
With auxiliary key release



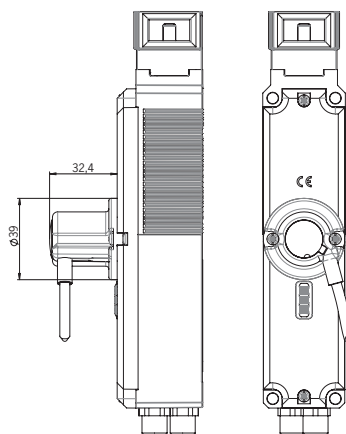
With release, automatic return



With emergency release



With wire front release (bowden)

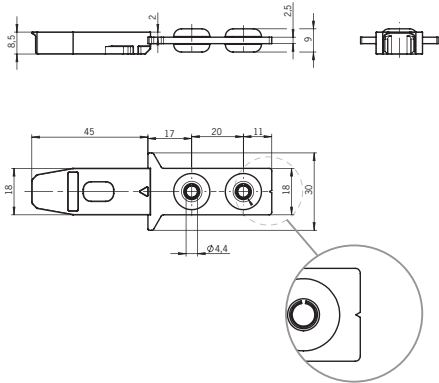
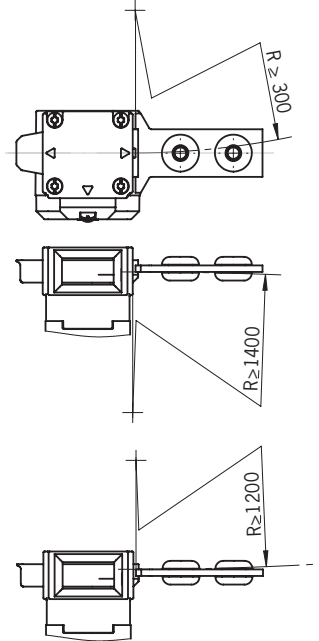
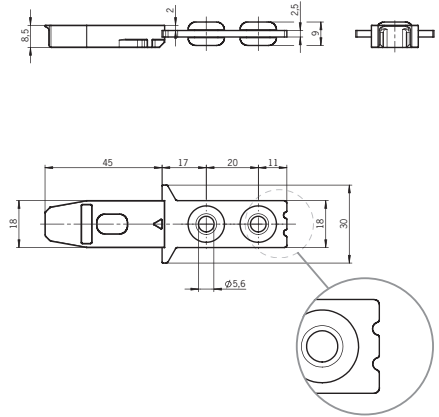
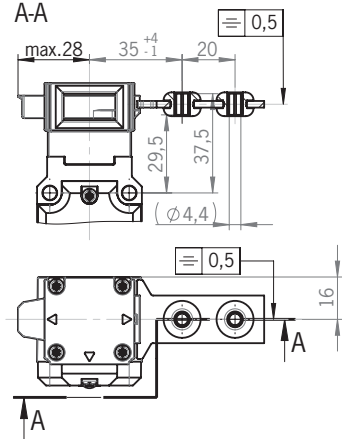


16.6. Technical data for actuator CTP/CTA-...

Parameter	Value			Unit
	min.	typ.	max.	
Housing material	Fiber reinforced plastic			
Weight	0.03 ... 0.06 (depending on version)			kg
Ambient temperature	-20	-	+55	°C
Degree of protection	IP65/IP67/IP69/IP69K			
Mechanical life	1 x 10 ⁶			
Locking force	F _{max}	F _{ZH} (ISO 14119)	F _{ZH} (TÜV Süd)	N
- Straight actuator 165497 (black) ¹⁾	8,000	-	4,000	
126015 (red)	3,900	3,000	-	
- Hinged actuator	2,600	2,000	-	
- Bent actuator	1,500	1,100	-	
Installation orientation	Any			
Power supply	Inductive via read head			

1) Possible only in combination with CTA-BR

16.6.1. Dimension drawing for actuator CTP/CTA-...

	Dimension drawing	Min. door radius [mm]	Order no./item
Straight actuators	 <p>Color: red</p>		<p>126015 A-CH-G-SST-126015</p>
	<p>Only for CTA</p>  <p>Color: black</p>		<p>Only for CTA</p> <p>165497 A-CH-G-SSS-165497</p>

	Dimension drawing	Min. door radius [mm]	Order no./item
Bent actuators	<p>Bent, upward</p>		<p>122667 A-CHW-SST-122667</p>
	<p>Bent, downward</p>		<p>122668 A-CHW-SST-122668</p>

	Dimension drawing	Min. door radius [mm]	Order no./item
		<p>X = 53 mm (122671, 122672) X = 49 mm (122669, 122670)</p>	<p>122671 A-C-HRL-LS-122671</p>
			<p>122672 A-C-HRL-LS-122672</p>
<p style="writing-mode: vertical-rl; transform: rotate(180deg);">Hinged actuators</p>		<p>X = 41 mm (122673, 122674) X = 45 mm (122675, 122676)</p>	<p>122675 A-C-HR0-LS-122675</p>
		<p>X = 41 mm (122673, 122674) X = 45 mm (122675, 122676)</p>	<p>122676 A-C-HRU-LS-122676</p>



Tip!

The actuator is supplied with screws that cannot easily be unscrewed with a tool.

17. Ordering information and accessories



Tip!

Suitable accessories, e.g. cables or assembly material, can be found at www.euchner.com. To order, enter the order number of your item in the search box and open the item view. Accessories that can be combined with the item are listed in *Accessories*.

18. Inspection and service



WARNING

Danger of severe injuries due to the loss of the safety function.

- › If damage or wear is found, the complete switch and actuator assembly must be replaced. Replacement of individual parts or assemblies is not permitted.
- › Check the device for proper function at regular intervals and after every fault. For information about possible time intervals, refer to EN ISO 14119:2013, section 8.2.

Regular inspection of the following is necessary to ensure trouble-free long-term operation:

- › Check the switching function (see chapter 14.3. *Functional check on page 37*)
- › Check all additional functions (e.g. escape release, lockout bar, etc.)
- › Check the secure mounting of the devices and the connections
- › Check for contamination

No servicing is required. Repairs to the device are only allowed to be made by the manufacturer.



NOTICE

The year of manufacture is given in the laser marking at the bottom right corner. The current version number in the format (V X.X.X) can also be found on the device.

19. Service

If servicing is required, please contact:

EUCHNER GmbH + Co. KG
Kohlhammerstraße 16
70771 Leinfelden-Echterdingen
Germany

Service telephone:
+49 711 7597-500

E-mail:
support@euchner.de

Internet:
www.euchner.com

20. Declaration of conformity

The declaration of conformity is part of the operating instructions.

The complete EU declaration of conformity can be found at www.euchner.com. Enter the order number of your device in the search box. The document is available under *Downloads*.

Euchner GmbH + Co. KG
Kohlhammerstraße 16
70771 Leinfelden-Echterdingen
Germany
info@euchner.de
www.euchner.com

Edition:
2537376-03-03/23
Title:
Operating Instructions Transponder-Coded Safety Switch
CTP/CTA-L1/2-BR
(translation of the original operating instructions)
Copyright:
© EUCHNER GmbH + Co. KG, 03/2023

Subject to technical modifications; no responsibility is accepted for the accuracy of this information.