

EUCHNER

Operating instructions

Non-Contact Safety System
CES-A-AEA-02B/CES-A-AEA-04B (Unicode)

EN

Contents

| | | |
|------------|---|-----------|
| 1. | About this document | 4 |
| 1.1. | Scope..... | 4 |
| 1.2. | Target group | 4 |
| 1.3. | Key to symbols..... | 4 |
| 1.4. | Supplementary documents | 4 |
| 2. | Correct use | 5 |
| 3. | Description of the safety function | 6 |
| 4. | Exclusion of liability and warranty | 7 |
| 5. | General safety precautions | 7 |
| 6. | Function | 8 |
| 6.1. | Block diagrams CES-A-AEA..... | 9 |
| 7. | Mounting | 11 |
| 8. | Electrical connection | 12 |
| 8.1. | Notes about UL_{CS} | 12 |
| 8.2. | Safety in case of faults..... | 12 |
| 8.3. | Fusing of the power supply and the safety contacts..... | 12 |
| 8.4. | Connection example CES-A-AEA-02B | 13 |
| 8.5. | Connection example CES-A-AEA-04B | 14 |
| 9. | Setup | 15 |
| 9.1. | LED indicators..... | 15 |
| 9.2. | Teach-in operation..... | 15 |
| 9.2.1. | Changing the configuration/new actuators | 16 |
| 9.3. | Functional check..... | 16 |
| 9.3.1. | Self-test with test input TST | 17 |
| 10. | System status table | 18 |
| 11. | Technical data | 19 |
| 11.1. | Evaluation unit CES-A-AEA-02B..... | 19 |
| 11.2. | Evaluation unit CES-A-AEA-04B..... | 21 |
| 11.3. | Read head CES-A-LNA..... | 23 |
| 11.4. | Read head CES-A-LNA-SC | 25 |
| 11.5. | Read head CES-A-LCA..... | 27 |
| 11.6. | Read head CES-A-LQA-SC | 29 |
| 11.7. | Read head CES-A-LMN-SC..... | 31 |
| 11.8. | Actuator CES-A-BBA/CES-A-BCA..... | 33 |
| 11.9. | Actuator CES-A-BQA..... | 34 |

| | |
|---|-----------|
| 11.10. Actuator CES-A-BDA-20 | 35 |
| 11.11. Actuator CES-A-BMB | 36 |
| 12. Ordering information and accessories | 37 |
| 13. Inspection and service | 37 |
| 14. Service | 37 |
| 15. Declaration of conformity | 38 |

1. About this document

1.1. Scope

This document is valid for





- Non-Contact Safety System CES-A-AEA-02B, evaluation unit for 2 read heads (order no. 092560)
- Non-Contact Safety System CES-A-AEA-04B, evaluation unit for 4 read heads (order no. 072000)

These operating instructions, the document *Safety information* and any enclosed data sheet form the complete user information for your device.

1.2. Target group



Design engineers and installation planners for safety devices on machines, as well as setup and servicing staff possessing special expertise in handling safety components.


1.3. Key to symbols

| Symbol/depiction | Meaning |
|--|---|
|  | Printed document |
|  | Document is available for download at www.euchner.com |
|  DANGER WARNING CAUTION | Signal word: DANGER WARNING CAUTION Consequence if not observed: Death or severe injuries Possibly death or severe injuries Possibly minor injuries |
|  NOTICE Important! | Signal word: NOTICE Important! Malfunction or device damage possible Important information |
| Tip | Useful information |

1.4. Supplementary documents

The overall documentation for this device consists of the following documents:

| Document title (document number) | Contents | |
|-------------------------------------|--------------------------|---|
| Safety information (2525460) | Basic safety information |  |
| Operating instructions (2084606) | (this document) |  |

| | |
|---|--|
|  | Important! Always read all documents to gain a complete overview of safe installation, setup and use of the device. The documents can be downloaded from www.euchner.com . For this purpose enter the doc. no. in the search box. |
|---|--|

2. Correct use

Evaluation units of the series CES-A are used to evaluate safety-related signals from EUCHNER read heads. The system forms an interlocking device. It meets the requirements according to EN IEC 60947-5-3.

The system consists of evaluation unit, read head and actuator. It forms an interlocking device with high coding level (type 4). In combination with a movable guard and the machine control, this system prevents dangerous machine functions from occurring while the guard is open. A stop command is triggered if the guard is opened during the dangerous machine function.

This means:

- › Starting commands that cause a dangerous machine function must become active only when the guard is closed.
- › Opening the guard triggers a stop command.
- › Closing a guard must not cause automatic starting of a dangerous machine function. A separate start command must be issued. For exceptions, refer to EN 12100 or relevant C-standards.

Before use, a risk assessment must be performed on the machine, e.g. according to the following standards:

- › EN ISO 13849-1
- › EN ISO 12100
- › IEC 62061

Correct use includes observing the relevant requirements for installation and operation, e.g. according to the following standards:

- › EN ISO 13849-1
- › EN ISO 14119
- › EN 60204-1

The following components can be connected to the evaluation unit CES-A-AEA...:

- › CES read heads
- › CEM read heads
- › CET read heads





For further information, refer to the operating instructions of the corresponding component and to *Table 1: Possible combinations for CES components on page 6*.





Important!

- › The user is responsible for the proper integration of the device into a safe overall system. For this purpose, the overall system must be validated, e.g. in accordance with EN ISO 13849-2.
- › Correct use requires observing the permissible operating parameters (see technical data).
- › If a data sheet is included with the product, the information on the data sheet applies.
- › It is only allowed to use components that are permissible in accordance with the table below.

Table 1: Possible combinations for CES components

| Evaluation unit | Read head | Actuator | | | | | | | | | |
|--|--|---------------------|---------------------|------------------------|---------------------|---------------------|----------------------------|---------------------|---|---|---|
| | | CES-A-BBA 071840 | CES-A-BCA 088786 | CES-A-BDA-20 084720 | CES-A-BMB 077791 | CES-A-BQA 098108 | CES-A-NBA-... All items | CES-A-BPA 098775 | CEM-A-BE05 094805 | CEM-A-BH10 095175 | CET-A-BWK-50X 096327 |
| CES-A-AEA-02B 092560 CES-A-AEA-04B 072000 | CES-A-LNA... All items | ● | ● | ● | | | | | | | |
| | CES-A-LNA-SC 077715 | ● | ● | ● | | | | | | | |
| | CES-A-LCA... All items | ● | ● | ● | | | | | | | |
| | CES-A-LMN-SC 077790 | | | | ● | | | | | | |
| | CES-A-LQA-SC 095650 | ● | ● | | | ● | | | | | |
| | CEM-A-LE05K-S2 094800 | | | | | | | |  | | |
| | CEM-A-LE05R-S2 095792 | | | | | | | |  | | |
| | CEM-A-LH10K-S3 095170 CEM-A-LH10R-S3 095793 | | | | | | | | |  | |
| | CET-AX | | | | | | | | | |  |

| | | |
|----------------|---|--|
| Key to symbols | ● | Combination possible |
| |  | Combination possible, guard locking for process protection |
| |  | Combination possible, guard locking for personnel protection |
| | | Combination not permissible |

3. Description of the safety function

Devices from this series feature the following safety functions:

The following applies in combination with read heads without guard locking (CES read heads) and read heads with guard locking for process protection (CEM/CET read heads):

Monitoring of the position of a guard (interlocking device according to EN ISO 14119)

- Safety function:
 - The safety contacts are switched off when the guard is open (see chapter 11. Technical data on page 19).
- Safety characteristics: category, Performance Level, PFH_D (see Technical data on Page 20 and Page 22).

4. Exclusion of liability and warranty

In case of failure to comply with the conditions for correct use stated above, or if the safety regulations are not followed, or if any servicing is not performed as required, liability will be excluded and the warranty void.

5. General safety precautions



WARNING

Danger to life due to improper installation or due to bypassing (tampering). Safety components fulfill a personnel protection function.

- › Safety components must not be bypassed, turned away, removed or otherwise rendered ineffective. On this topic pay attention in particular to the measures for reducing the possibility of bypassing according to EN ISO 14119:2013, section 7.
- › The switching operation must be triggered only by actuators designated for this purpose.
- › Mounting, electrical connection and setup only by authorized personnel possessing the following knowledge:
 - specialist knowledge in handling safety components
 - knowledge about the applicable EMC regulations
 - knowledge about the applicable regulations on operational safety and accident prevention.
- › The number of teach-in and switching operations is saved in the internal memory of the evaluation unit. If necessary, this memory can be read by the manufacturer.



Important!

Prior to use, read the operating instructions and keep these in a safe place. Ensure the operating instructions are always available during mounting, setup and servicing. For this reason you should archive a printed copy of the operating instructions. You can download the operating instructions from www.euchner.com.

6. Function

The safety system consists of three components:

- Coded actuator
- Read head
- Evaluation unit

The number of read heads that can be connected depends on the evaluation unit:

- CES-A-AEA-02B: ➔ 2 read heads
- CES-A-AEA-04B: ➔ 4 read heads

The evaluation unit can be configured so that a start button (monitoring of the falling edge) and a feedback loop can be connected to monitor external relays and contactors. The individual configuration is defined by a setup procedure (see chapter 9. *Setup on page 15*).

The read heads and actuators are assigned to the device in a special teach-in operation.

Each delivered actuator possesses a unique electronic coding and so is a unique element in the system used. The code in an actuator cannot be reprogrammed.

The read heads are fastened to the fixed part of the guard and are each connected to the evaluation unit via a two-core shielded cable (terminals H.1, H.2 and SH.).

The actuator fastened to the movable part of the guard is moved towards the read head by closing the door. When the switch-on distance is reached, power is supplied to the actuator by the read head by induction and data can be transferred. The code read is compared with the taught-in code in the evaluation unit.

If the data match, door monitoring output O1...O2 or O1...O4 (semiconductor output) on the related read head is set to HIGH. If all data for all read heads activated match, the safety outputs (relay output) are then enabled. The OUT LED illuminates.

Optionally, a feedback loop can be connected to the evaluation unit. The evaluation unit can then only be started with the feedback loop closed. A welded contactor contact in the enable path will thus be detected the next time the machine is started.

Due to the combination of dynamic polling of the actuators and the redundant, diverse design of the safety electronics with redundantly controlled safety outputs, the evaluation unit will enter the safe state with every detectable fault.

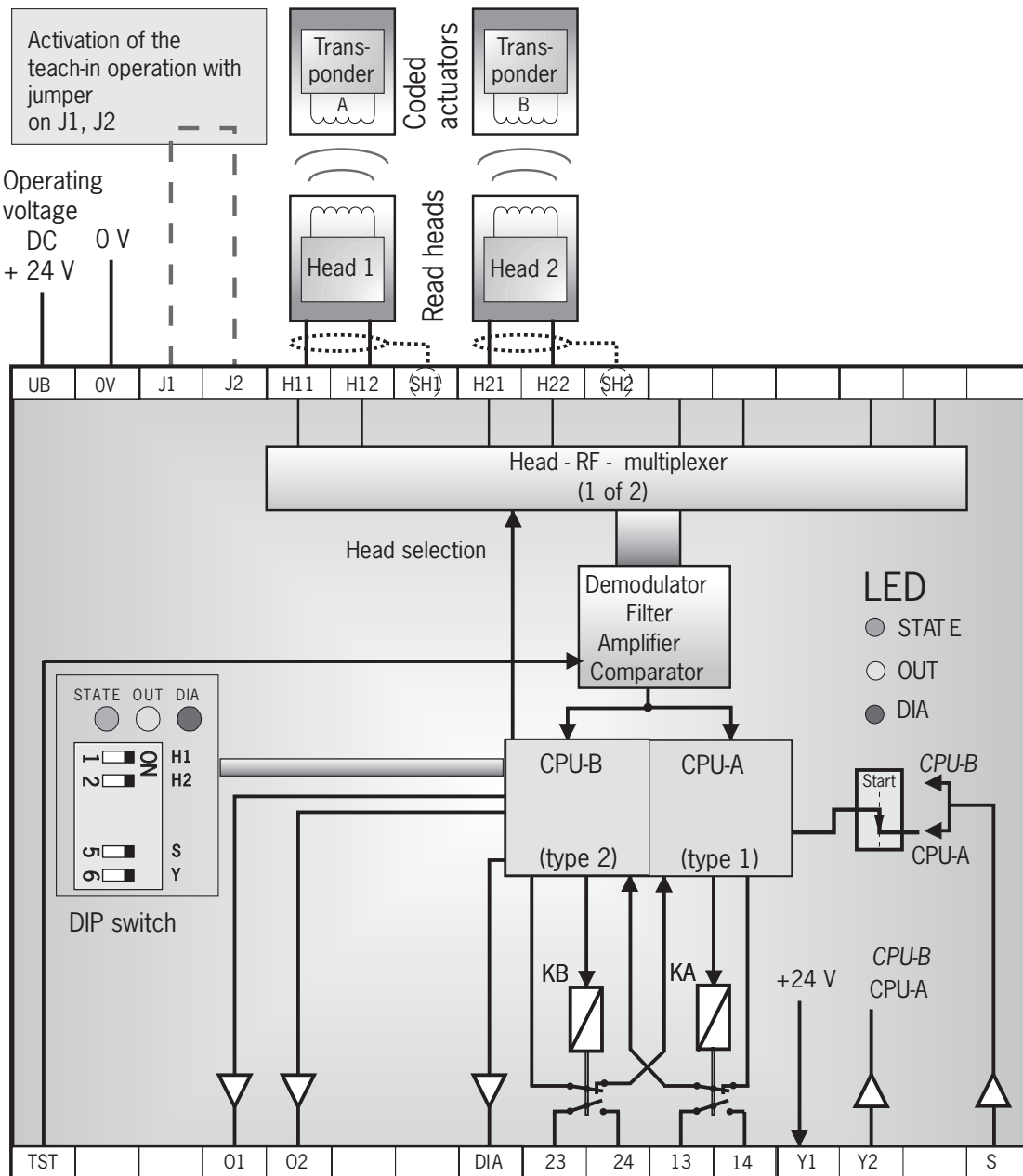
When a guard is opened or when guard locking is released, the safety outputs switch off the safety circuit and the OUT LED goes out. The state of the safety outputs is monitored internally by positively driven NC contacts (relay output).

Independent of the switching state of the safety circuit, the position of all safety doors can be polled via the outputs O1...O2 or O1...O4 .

If an internal fault occurs in the evaluation unit, the safety circuit is switched off, the diagnostic output (DIA) is set to HIGH and the DIA LED illuminates red.

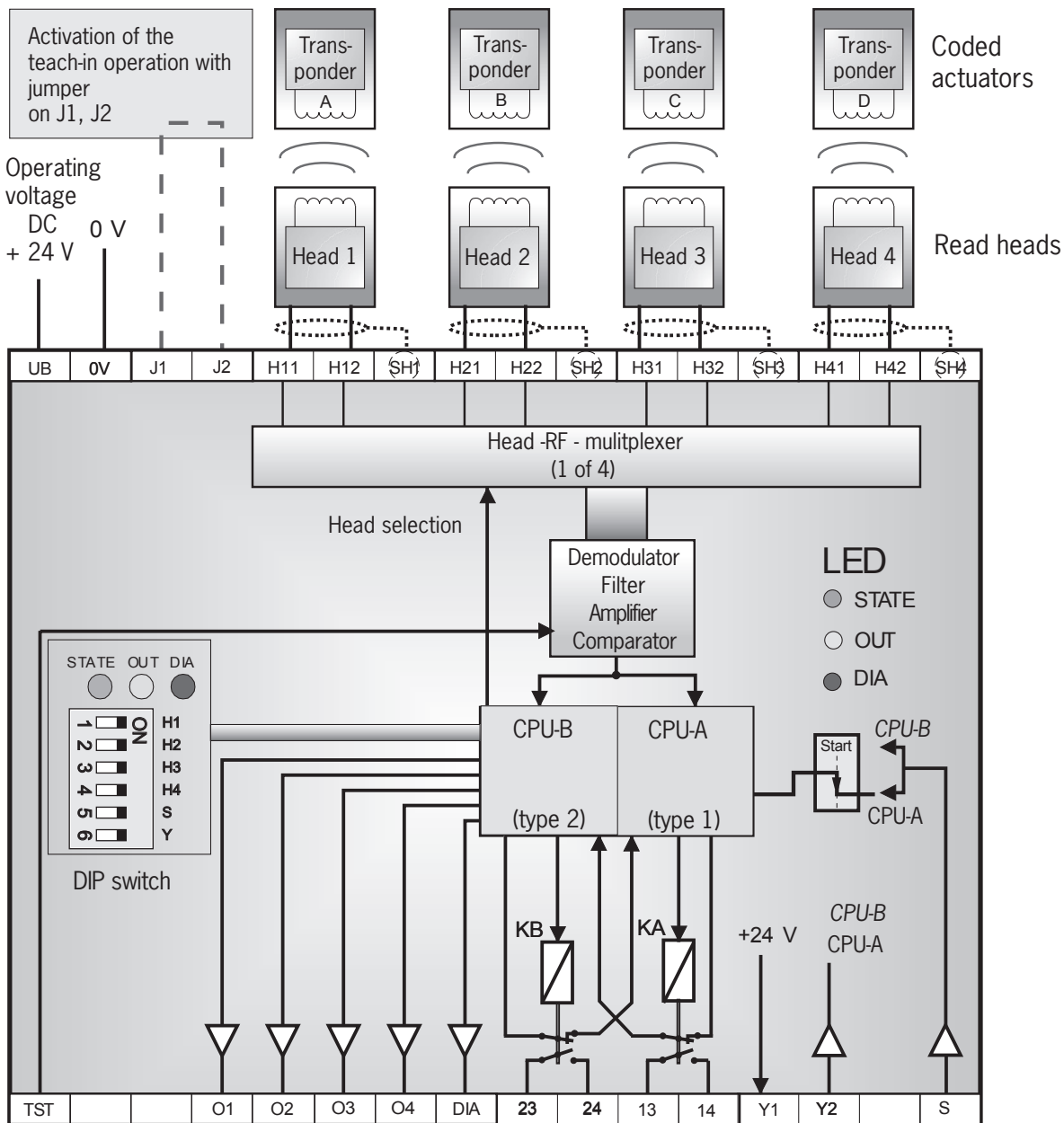
6.1. Block diagrams CES-A-AEA-...

CES-A-AEA-02B



| | |
|-----------------|--|
| +UB, 0 V | Power supply |
| J1, J2 | Jumper for teach-in operation |
| H11/H12/H21/H22 | Connection read heads 1 ... 2 |
| SH1, SH2 | Shield |
| TST | Test input (see chapter 9.3.1. Self-test with test input TST on page 17) |
| O1 ... O2 | Semiconductor monitoring outputs |
| DIA | Diagnostic output |
| 13, 14 | Connection for relay contact A, safety relay enable |
| 23,24 | Connection for relay contact B, safety relay enable |
| Y1, Y2 | Feedback loop |
| S | Start button connection (monitoring of the falling edge) |

CES-A-AEA-04B



- | | |
|-------------------|--|
| +UB, 0 V | Power supply |
| J1, J2 | Jumper for teach-in operation |
| H11/H12...H41/H42 | Connection read heads 1 ... 4 |
| SH1 ...SH4 | Shield |
| TST | Test input (see chapter 9.3.1. Self-test with test input TST on page 17) |
| O1 ... O4 | Semiconductor monitoring outputs |
| DIA | Diagnostic output |
| 13, 14 | Connection for relay contact A, safety relay enable |
| 23,24 | Connection for relay contact B, safety relay enable |
| Y1, Y2 | Feedback loop |
| S | Start button connection (monitoring of the falling edge) |

7. Mounting



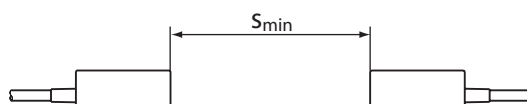
NOTICE

- Device damage due to improper installation or unsuitable ambient conditions.
- › Read heads and actuators must not be used as a mechanical end stop.
- › Observe EN ISO 14119:2013, sections 5.2 and 5.3, for information about fastening the safety switch and the actuator.
- › Observe EN ISO 14119:2013, section 7, for information about reducing the possibilities for bypassing an interlocking device.
- › The evaluation unit must be mounted in a control cabinet with a minimum degree of protection of IP 54. A snap-in element on the rear of the device is used for fastening to a mounting rail.
- › If several evaluation units are mounted side by side in a control cabinet without air circulation (e.g. fan), a minimum distance of 10 mm must be maintained between the evaluation units. This distance enables the heat from the evaluation unit to dissipate.

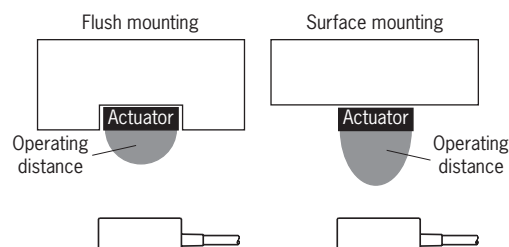


Important!

- › From the assured release distance S_{ar} , the safety outputs are safely shut down.
- › When mounting several read heads, observe the stipulated minimum distance to avoid mutual interference.
 - For CES-A-LNA/-LCA $S_{min} = 50 \text{ mm}$
 - For CES-A-LMN $S_{min} = 20 \text{ mm}$
 - For CES-A-LQA $S_{min} = 80 \text{ mm}$



- › If the actuator is installed flush, the switching distance changes as a function of the installation depth and the guard material.



Note the following points:

- › Actuator and read head must be fitted so that
 - the front faces are at the minimum assured operating distance $0.8 \times S_{a0}$ or closer when the guard is closed (see section Actuating ranges). To avoid entering the area of possible side lobes, a minimum distance is to be maintained in case of a side approach direction. See section Typical actuating range for the related actuator.
 - a hazard is excluded until the assured release distance (S_{ar}) is reached when the guard is open.
 - the actuator is positively mounted on the guard, e.g. by using the safety screws included.
 - they cannot be removed or tampered with using simple means.
- › Pay attention to the maximum tightening torque for the read head or safety switch and actuator fastenings of 1 Nm. For read heads/actuators made of PE-HD, the maximum tightening torque is only 0.5 Nm.

8. Electrical connection



WARNING

- If there is a mistake, loss of the safety function due to incorrect connection.
- › Monitoring outputs must not be used as safety outputs.
 - › Lay the connecting cables with protection to prevent the risk of short circuits.




NOTICE

- Risk of damage to equipment or malfunctions as a result of incorrect connection.
- › All the electrical connections must either be isolated from the mains supply by a safety transformer according to IEC 61558-2-6 with limited output voltage in the event of a fault, or by other equivalent isolation measures.
 - › All electrical outputs must have an adequate protective circuit for inductive loads. The outputs must be protected with a free-wheeling diode for this purpose. The switch-on current may have to be limited for capacitive loads.
 - › The tightening torque for the screws on the connection terminals must be 0.6 ... 0.8 Nm.
 - › The connection cable for the read heads must only be extended using EUCHNER plug connectors, and adequate consideration must be given to EMC. Intermediate terminals must not be used.
 - › The shield on the connection cable for the read head must be connected to the appropriate terminal SH1 ... 4 on the evaluation unit. The portion of cable from which insulation is stripped should be kept as short as possible (max. 3 cm).

8.1. Notes about



Important!

- › For use and operation as per the  requirements¹⁾, a power supply with the feature “for use in Class 2 circuits” must be used.
Alternative solutions must comply with the following requirements:
 - Electrically isolated power supply unit in combination with fuse as per UL248. This fuse should be designed for max. 3.3 A and should be integrated into the 30 V DC voltage section.

1) Note on the scope of the UL approval: The devices have been tested as per the requirements of UL508 and CSA/C22.2 no. 14 (protection against electric shock and fire).

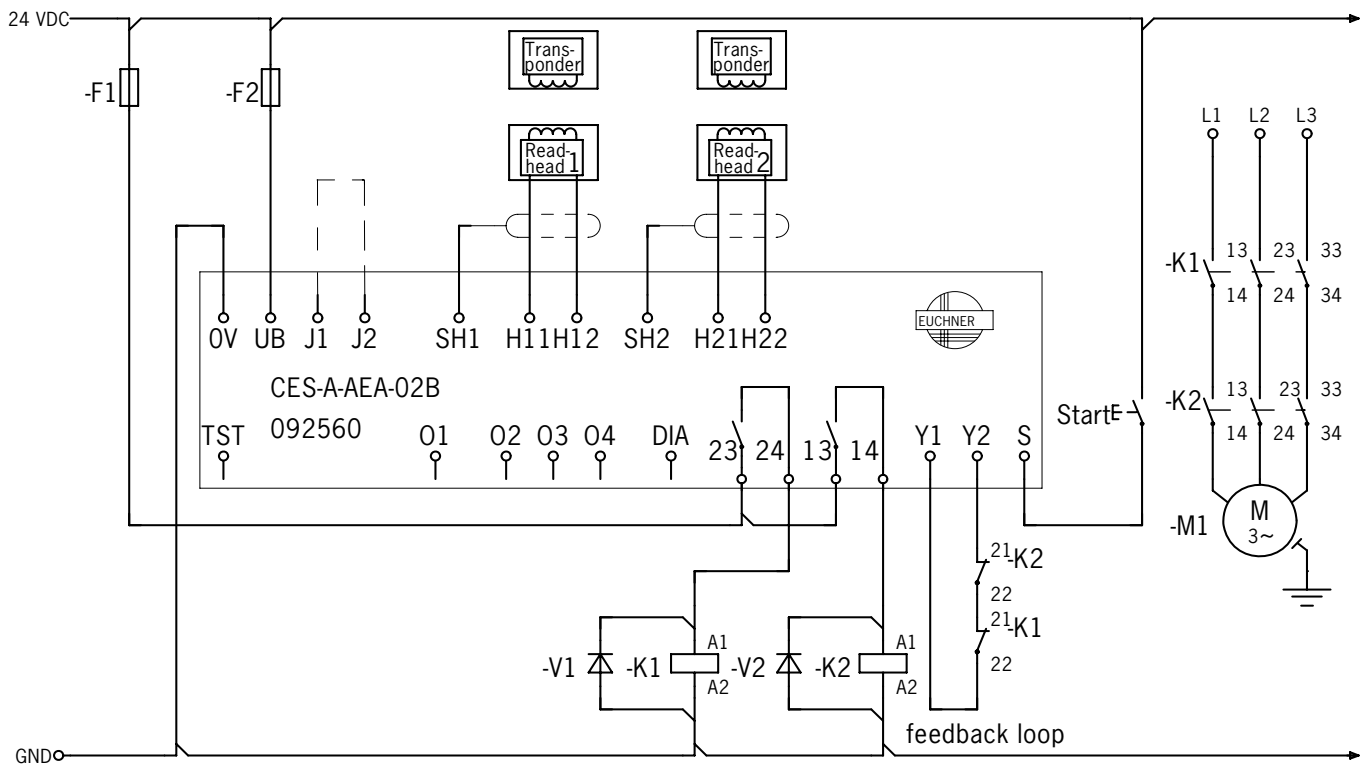
8.2. Safety in case of faults

- › The operating voltage U_B is reverse polarity protected.
- › The connections for the read heads are not short circuit-proof.
- › A short circuit between 13/14 and 23/24 can be detected only by means of external pulsing.
- › A short circuit in the cable can be excluded by laying the cable with protection.

8.3. Fusing of the power supply and the safety contacts

- › Provide external contact fuses (6 A gG fuse or 6 A circuit breaker, characteristic B or C) for relay outputs.
- › The power supply must be protected with a max. 8 A fuse ahead of terminal U_B .

8.4. Connection example CES-A-AEA-02B

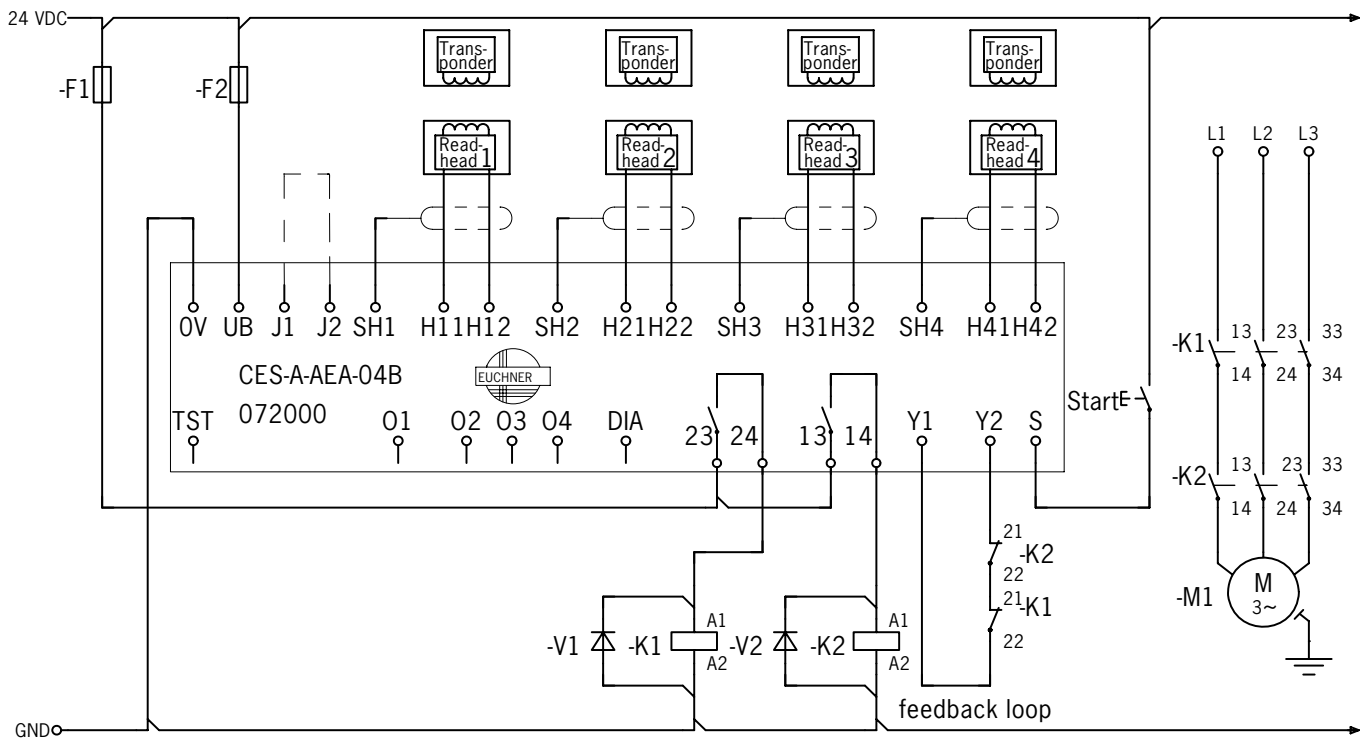


Important!

To achieve category 4 according to EN ISO 13849-1, it is necessary to monitor the downstream contactors (here: contacts on -K1 and -K2 in the feedback loop).

This example shows only an excerpt that is relevant for the connection of the CES system. The example illustrated here does not show complete system planning. The user is responsible for safe integration into the overall system.

8.5. Connection example CES-A-AEA-04B



Important!

To achieve category 4 according to EN ISO 13849-1, it is necessary to monitor the downstream contactors (here: contacts on -K1 and -K2 in the feedback loop).

This example shows only an excerpt that is relevant for the connection of the CES system. The example illustrated here does not show complete system planning. The user is responsible for safe integration into the overall system.

9. Setup

9.1. LED indicators

| Designation | Color | Meaning |
|-------------|--------|---|
| STATE | green | Status indication (multifunction display using flashing modes) |
| OUT | yellow | Safety circuit closed |
| DIA | red | <ul style="list-style-type: none"> ▸ Operating fault or ▸ External fault (fault in the feedback loop) or ▸ Teach-in operation not valid or ▸ Internal device fault or ▸ TST input activated (function test active) |

9.2. Teach-in operation

Before the system forms a functional unit, the parameters are set in the evaluation unit using a teach-in operation (number of connected read heads, assignment of the actuators to the read heads, with or without automatic start, with or without feedback loop). During this process the read heads are activated and the actuator code taught-in.

These configuration parameters are saved in the device.

During the teach-in operation the safety outputs are open. The system is in the safe state.



Important!

- The teach-in operation can differ for read heads that are not described in this document. Observe the information in the operating instructions for the read head used.
- During the teach-in operation the following conditions must be met:
 - There must be no state change, e.g. opening or closing of a safety door or a change in the signal on the terminals for the start button and the feedback loop.
 - The power supply must not be switched off.
- If these conditions are not met, the evaluation unit switches to the safe fault state (diagnostics LED illuminates) and signals this operating fault with the STATE LED by 3 short flashes that are repeated every second. The teach-in operation must be repeated.
- The number of teach-in operations is unlimited. The evaluation unit can be re-configured as often as required.
- Actuators cannot be interchanged without a renewed teach-in operation.
- An actuator that has not been subjected to teach-in will not be detected by the related read head.
- Even if only one new actuator needs to be taught-in, a complete new teach-in operation must be carried out.
- Do not change DIP switches during operation.

To trigger a teach-in operation, the user must perform the following actions in the stipulated order:

1. Prepare for teach-in operation
 - Switch off power supply U_B
 - Fit a jumper between terminals J1 and J2
2. Set required configuration on DIP switches

| Switch designation | Switch position left (OFF) | Switch position right (ON) |
|--------------------|---|--|
| 1 | No read head connected to terminals H11, H12, SH1 | Read head connected to terminals H11, H12, SH1 |
| 2 | No read head connected to terminals H21, H22, SH2 | Read head connected to terminals H21, H22, SH2 |
| 3 | No read head connected to terminals H31, H32, SH3 | Read head connected to terminals H31, H32, SH3 |
| 4 | No read head connected to terminals H41, H42, SH4 | Read head connected to terminals H41, H42, SH4 |
| 5 | Automatic start (no start button connected) | Manual start (start button connected) |
| 6 | No feedback loop connected | Feedback loop connected |

3. Set required configuration on machine
 - Close all doors to be monitored (the actuators must be in the actuating range of the related read head)

- For operating mode **Manual start**: keep start button closed
 - For operating mode **with feedback loop**: keep feedback loop closed
4. Start teach-in operation
 - Switch on operating voltage
 - Wait for self-test (STATE LED flashes for approx. 10 seconds at 15 Hz)
 - Teach-in operation starts (STATE LED flashes at approx. 1 Hz)
 - Wait for acknowledgment of the teach-in operation (STATE LED goes out after approx. 10 seconds)
 5. End teach-in operation
 - Remove jumper between J1 and J2
 - For operating mode **Manual start**: start button must be connected
 - For operating mode **with feedback loop**: feedback loop must be connected
 - Interrupt operating voltage for at least 10 seconds
 - Wait for self-test (STATE LED flashes for approx. 10 seconds at 15 Hz)
 6. Check all guards for effectiveness

9.2.1. Changing the configuration/new actuators

The evaluation unit can be re-configured as often as required. For this purpose you must proceed as per the first teach-in operation according to section 9.2. *Teach-in operation on page 15*. Faulty actuators can be replaced. Then a complete teach-in operation must be performed again.

9.3. Functional check

After installation and any fault, the safety function must be fully checked. Proceed as follows:



WARNING

Danger of fatal injury as a result of faults in installation and functional check.

- › Before carrying out the functional check, make sure that there are no persons in the danger zone.
- › Observe the valid accident prevention regulations.

1. Switch on operating voltage.
 - The safety switch carries out a self-test.
The green STATE LED flashes for approx. 10 seconds at 15 Hz.
The STATE LED then illuminates continuously.
The OUT and DIA LEDs do not illuminate.
2. Close all guards.
 - The machine must not start automatically.
 - The green STATE LED and the yellow OUT LED light up continuously.
3. Enable operation in the control system.
4. Open the guard.
 - The machine must switch off and it must not be possible to start it as long as the guard is open.
 - The green STATE LED illuminates continuously; the OUT and DIA LEDs do not illuminate.

Repeat steps 2 ... 4 separately for each guard.

9.3.1. Self-test with test input TST

On electromechanical safety switches or magnetic switches, the function test can be performed by cyclically opening the guard.

From category 2 according to EN ISO 13849-1, EN 60204-1 : 1997 (section 9.4.2.4) requires a function test performed on the entire safety system on start-up or after defined intervals.

Testing of the internal function of the unit is not necessary because the device monitors itself in real time. Welding of an output contact (relay output) is detected by the device at the latest the next time the guard is opened. A short circuit in the output cable is not detected by the device.

In addition, the entire safety circuit can be tested without opening the guard. For this purpose, opening of the guard can be simulated by applying 24 V DC to the test input TST.

The safety outputs are switched off, enabling testing of the complete safety circuit. The diagnostic output DIA on the evaluation unit is also set to HIGH as a monitoring function.

When test input TST is reset, the evaluation unit resets the diagnostic output DIA to LOW, the red LED switches off and normal operation is continued.

In Manual start operating mode, the start button must be pressed again to start the system.



Important!

After the self-test, the test input TST must be connected to 0 V again or must be disconnected.

10. System status table

| Operating mode | LED indicator | | | State |
|------------------|---------------|--------------|-----------|---|
| | STATE (green) | OUT (yellow) | DIA (red) | |
| Setup | 4 Hz | ○ | ○ | Initial setup after delivery without jumper connected to J1, J2. |
| | 1 Hz | ○ | ○ | Teach-in operation |
| | ○ | ○ | ○ | Acknowledgment of completion of teach-in operation. |
| Normal operation | 15 Hz (10 s) | ○ | ○ | Self-test, duration approx. 10 seconds, is performed after the application of the operating voltage U_B |
| | | ○ | ○ | Normal operation, not all monitored doors are closed. |
| | | | ○ | Normal operation, all monitored doors are closed (after pressing the start button, for Manual start operating mode) |
| Function test | | ○ | | Function test active (TST input = 24 V) |
| Fault display | ○ | ○ | | Internal component failure or actuator CES-A-BMB in the impermissible range or excessively high external interference (EMC) |
| Operating fault | 3 x | ○ | | Configuration error: Teach-in operation must be performed again Possible causes: - State change during the teach-in operation - The DIP switch setting and the configuration did not match during the teach-in operation - DIP switch setting has been changed without teach-in operation - The jumper (J1, J2) was fitted with power supply switched on - Closed feedback loop (Y1,Y2) present, although a feedback loop was not present during teach-in - 24 V signal present at the start button input (S) although teach-in was performed with "Automatic start" operating mode. |
| | 4 x | ○ | | Fault in feedback loop Possible causes: - Malfunction of the monitored contactor - Following removal from the actuating range, actuator is not outside the actuating range long enough; as a result the feedback loop cannot be closed in this short time. Note the release time for the monitored contactor. - Feedback loop was not closed on starting the evaluation unit - Feedback loop was not closed on applying the operating voltage +UB. |
| Key to symbols | | N | | 0 Volt or not connected |
| | | 1 | | 24 Volt |
| | | 0 | | 0 Volt |
| | | ○ | | LED not illuminated |
| | | | | LED illuminated |
| | | 15 Hz (10 s) | | LED flashes for 10 seconds at 15 Hz |
| | | 3 x + | | LED flashes three times and then illuminates continuously |
| | | 3 x | | LED flashes three times, and this is then repeated |
| | X | | Any state | |



Important!

If you do not find the displayed device status in the system status table, this indicates an internal device fault. In this case, you should contact the manufacturer.

Technical data for CES-A-AEA-02B

| Parameter | Value | | | Unit |
|--|--|------------|------------------------|-----------------|
| | min. | typ. | max. | |
| Housing material | PA6.6 plastic | | | |
| Dimensions | 114 x 99 x 45 | | | mm |
| Weight | 0.25 | | | kg |
| Ambient temperature at $U_B = DC 24 V$ | -20 | - | +55 | °C |
| Atmospheric humidity, not condensing | - | - | 80 | % |
| Degree of protection | IP20 | | | |
| Degree of contamination | 2 | | | |
| Mounting | Mounting rail 35 mm according to EN 60715 TH35 | | | |
| Number of read heads | Max. 2 read heads per evaluation unit | | | |
| Connection (plug-in screw terminals/coded) | 0.25 | - | 2.5 | mm ² |
| Operating voltage U_B (regulated, residual ripple < 5%) | 21 | 24 | 27 | V DC |
| For the approval according to UL the following applies | Operation only with UL class 2 power supply or equivalent measures | | | |
| Current consumption I_B (with relay energized) ¹⁾ | - | 150 | - | mA |
| External fuse (operating voltage U_B) | 0.25 | - | 8 | A |
| Safety contacts | 2 (relays with internally monitored contacts) | | | |
| Switching current (relay outputs) | | | | |
| - at switching voltage AC/DC 1 ... 60 V | 1 ²⁾ | - | 300 | mA |
| - at switching voltage AC/DC 17 ... 30 V | 15 | - | 6000 | |
| - at switching voltage AC 17 ... 230 V | 15 | - | 1500 | |
| Switching load according to UL | Class 2 max. 30 V AC/Class 2 max. 60 V DC 120 V AC 3 A / 240 V AC 1.5 A | | | |
| External fuse (safety circuit) according to EN 60269-1 | 6 AgG or 6 A circuit breaker (characteristic B or C) | | | |
| Utilization category according to EN 60947-5-1 | AC-12 60 V 0.3 A / DC-12 60 V 0.3 A AC-12 30 V 6 A / DC-12 30 V 6 A AC-15 230 V 2 A / DC-13 24 V 3 A | | | |
| Rated insulation voltage U_i | 250 | | | V |
| Rated impulse withstand voltage U_{imp} | 4 | | | kV |
| Rated conditional short-circuit current | 100 | | | A |
| Resilience to vibration | Acc. to EN 60947-5-2 | | | |
| Mechanical operating cycles (relays) | 10 x 10 ⁶ | | | |
| Switching delay from state change ³⁾ | | | | |
| - 2 actuators activated | - | - | 290 | ms |
| - 1 actuator activated | - | - | 210 | |
| Discrepancy time of the operating points of both relays (with 2 activated actuators) | - | - | 240 | ms |
| Manual start operating mode | | | | |
| - Start button actuating duration | 250 | - | - | ms |
| - Start button response delay | - | 200 | 300 | |
| Current via feedback loop Y1/Y2 | 5 | 8 | 10 | mA |
| Permissible resistance via feedback loop | - | - | 600 | Ω |
| Ready delay ⁴⁾ | - | 10 | 12 | s |
| Dwell time ⁵⁾ | 3 | - | - | s |
| Switching frequency max. ⁶⁾ | - | - | 0.25 | Hz |
| Repeat accuracy R acc. to EN IEC 60947-5-3 | ≤ 10 | | | % |
| Monitoring outputs (diagnostics DIA, monitoring outputs 01...02, semiconductor output, p-switching, short circuit-protected) | | | | |
| - Output voltage | 0.8 x U_B | - | U_B | V DC |
| - Max. load | - | - | 20 | mA |
| Start button input S, test input TST | | | | |
| - Input voltage LOW | 0 | - | 2 | V DC |
| - Input voltage HIGH | 15 | - | U_B | |
| - Input current HIGH | 5 | 8 | 10 | mA |
| EMC protection requirements | Acc. to EN 60947-5-3 | | | |
| Reliability values acc. to EN ISO 13849-1 as a function of the switching current at 24 V DC | | | | |
| | $\leq 0.1 A$ | $\leq 1 A$ | $\leq 3 A$ | |
| Category | 4 | | | |
| Performance Level (PL) | e | | | |
| PFD _D | 1.3 x 10 ⁻⁸ | | 1.5 x 10 ⁻⁸ | |
| Mission time | 20 | | | years |
| Number of switching cycles/year | 506 000 | 100 000 | 23 000 | |
| Diagnostic coverage DC | 99 | | | % |
| MTTF _D | 136 | | | years |

1) Without taking into account the load currents on the monitoring outputs.

2) If a switching current > 300 mA in conjunction with a switching voltage > 15 V or an inductive or capacitive load is switched once using the relay outputs, it is no longer possible to reliably switch small currents (< 15 mA) due to the contact erosion on the gold contacts.

3) Corresponds to the risk time according to EN 60947-5-3. This is the maximum OFF time for the safety outputs following removal of the actuator. In case of EMC interference in excess of the requirements in accordance with EN 60947-5-3, the OFF time can increase to max. 430 ms. After a brief actuation < 0.4 s, the switch-on delay can increase to max. 3 s if this is followed immediately by further actuation.

4) After the operating voltage is switched on, the relay outputs are switched off and the monitoring outputs are set to LOW potential during the ready delay. For the visual indication of the delay, the green STATE LED flashes at a frequency of approx. 15 Hz.

5) The dwell time is the time that the actuator must be outside the actuating range.

6) In case of monitoring with feedback loop, the actuators must remain outside the actuating range, e.g. with a door open, until the feedback loop is closed.

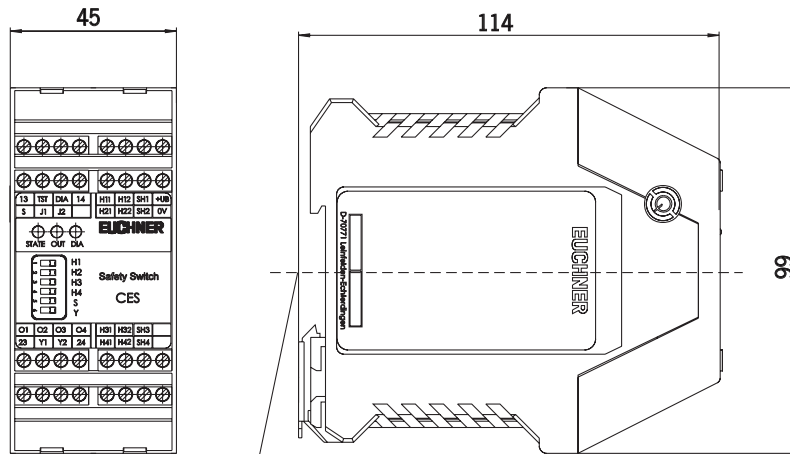
11.2. Evaluation unit CES-A-AEA-04B

- › Housing for rail mounting, IP20
- › Relay output
- › 4 read heads can be connected

Approvals



Dimension drawing



Suitable for 35 mm mounting rail according to EN 60715

Switching characteristics

- › 2 safety outputs (relay outputs)
- › 4 door monitoring outputs (semiconductor outputs, not safety outputs)

| | | Guard | |
|-------------|------------|------------------------------------|--|
| | | closed (all actuators detected) | open (e.g. actuator 1 not in the actuating range) |
| Read head 1 | Actuator 1 | Read head 1 | |
| | | | |
| 13—○—○—14 | | 13—○—○—14 | |
| 23—○—○—24 | | 23—○—○—24 | |
| 24V—○—○—0 1 | | 24V—○—○—0 1 | |
| 24V—○—○—0 2 | | 24V—○—○—0 2 | |
| 24V—○—○—0 3 | | 24V—○—○—0 3 | |
| 24V—○—○—0 4 | | 24V—○—○—0 4 | |

Technical data for CES-A-AEA-04B

| Parameter | Value | | | Unit |
|--|--|---------|--------|-----------------|
| | min. | typ. | max. | |
| Housing material | PA6.6 plastic | | | |
| Dimensions | 114 x 99 x 45 | | | mm |
| Weight | 0.25 | | | kg |
| Ambient temperature at $U_B = DC 24 V$ | -20 | - | +55 | °C |
| Atmospheric humidity, not condensing | - | - | 80 | % |
| Degree of protection | IP20 | | | |
| Degree of contamination | 2 | | | |
| Mounting | Mounting rail 35 mm according to EN 60715 TH35 | | | |
| Number of read heads | Max. 4 read heads per evaluation unit | | | |
| Connection (plug-in screw terminals/coded) | 0.25 | - | 2.5 | mm ² |
| Operating voltage U_B (regulated, residual ripple < 5%) | 21 | 24 | 27 | V DC |
| For the approval according to «UL» the following applies | Operation only with UL class 2 power supply or equivalent measures | | | |
| Current consumption I_B (with relay energized) ¹⁾ | - | 150 | - | mA |
| External fuse (operating voltage U_B) | 0.25 | - | 8 | A |
| Safety contacts | 2 (relays with internally monitored contacts) | | | |
| Switching current (relay outputs) | | | | |
| - at switching voltage AC/DC 1 ... 60 V | 1 ²⁾ | - | 300 | mA |
| - at switching voltage AC/DC 17 ... 30 V | 15 | - | 6000 | |
| - at switching voltage AC 17 ... 230 V | 15 | - | 1500 | |
| Switching load according to «UL» | Class 2 max. 30 V AC/Class 2 max. 60 V DC 120 V AC 3 A / 240 V AC 1.5 A | | | |
| External fuse (safety circuit) according to EN 60269-1 | 6 AgG or 6 A circuit breaker (characteristic B or C) | | | |
| Utilization category according to EN 60947-5-1 | AC-12 60 V 0.3 A / DC-12 60 V 0.3 A AC-12 30 V 6 A / DC-12 30 V 6 A AC-15 230 V 2 A / DC-13 24 V 3 A | | | |
| Rated insulation voltage U_i | 250 | | | V |
| Rated impulse withstand voltage U_{imp} | 4 | | | kV |
| Rated conditional short-circuit current | 100 | | | A |
| Resilience to vibration | Acc. to EN 60947-5-2 | | | |
| Mechanical operating cycles (relays) | 10 x 10 ⁶ | | | |
| Switching delay from state change ³⁾ | | | | |
| - 4 activated actuators | - | - | 450 | ms |
| - 3 activated actuators | - | - | 370 | |
| - 2 actuators activated | - | - | 290 | |
| - 1 actuator activated | - | - | 210 | |
| Discrepancy time of the operating points of both relays (with 4 activated actuators) | - | - | 400 | ms |
| Manual start operating mode | | | | |
| - Start button actuating duration | 250 | - | - | ms |
| - Start button response delay | - | 200 | 300 | |
| Current via feedback loop Y1/Y2 | 5 | 8 | 10 | mA |
| Permissible resistance via feedback loop | - | - | 600 | Ω |
| Ready delay ⁴⁾ | - | 10 | 12 | s |
| Dwell time ⁵⁾ | 3 | - | - | s |
| Switching frequency max. ⁶⁾ | - | - | 0.25 | Hz |
| Repeat accuracy R acc. to EN IEC 60947-5-3 | ≤ 10 | | | % |
| Monitoring outputs (diagnostics DIA, monitoring outputs O1...O4, semiconductor output, p-switching, short circuit-protected) | | | | |
| - Output voltage | 0.8 x U_B | - | U_B | V DC |
| - Max. load | - | - | 20 | mA |
| Start button input S, test input TST | | | | |
| - Input voltage LOW | 0 | - | 2 | V DC |
| - Input voltage HIGH | 15 | - | U_B | |
| - Input current HIGH | 5 | 8 | 10 | mA |
| EMC protection requirements | Acc. to EN 60947-5-3 | | | |
| Reliability values acc. to EN ISO 13849-1 as a function of the switching current at 24 V DC | | | | |
| | ≤ 0.1 A | ≤ 1 A | ≤ 3 A | |
| Category | 4 | | | |
| Performance Level (PL) | e | | | |
| PFF _D | 1.3 x 10 ⁻⁸ | | | |
| Mission time | 20 | | | years |
| Number of switching cycles/year | 506 000 | 100 000 | 23 000 | |
| Diagnostic coverage DC | 99 | | | % |
| MTTF _D | 136 | | | years |

1) Without taking into account the load currents on the monitoring outputs.
2) If a switching current > 300 mA in conjunction with a switching voltage > 15 V or an inductive or capacitive load is switched once using the relay outputs, it is no longer possible to reliably switch small currents (< 15 mA) due to the contact erosion on the gold contacts.
3) Corresponds to the risk time according to EN 60947-5-3. This is the maximum OFF time for the safety outputs following removal of the actuator. In case of EMC interference in excess of the requirements in accordance with EN 60947-5-3, the OFF time can increase to max. 750 ms. After a brief actuation < 0.8 s, the switch-on delay can increase to max. 3 s if this is followed immediately by further actuation.
4) After the operating voltage is switched on, the relay outputs are switched off and the monitoring outputs are set to LOW potential during the ready delay. For the visual indication of the delay, the green STATE LED flashes at a frequency of approx. 15 Hz.
5) The dwell time is the time that the actuator must be outside the actuating range.
6) In case of monitoring with feedback loop, the actuators must remain outside the actuating range, e.g. with a door open, until the feedback loop is closed.

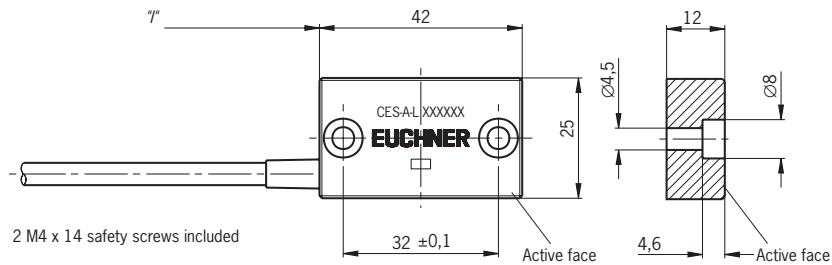
11.3. Read head CES-A-LNA-...

- Cube-shaped design 42 x 25 mm
- Hard-wired cable

Approvals

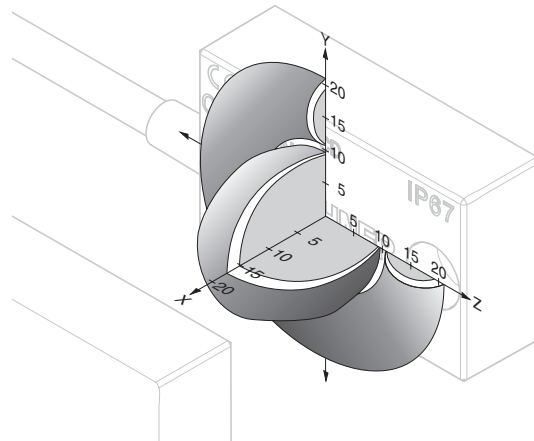


Dimension drawing



Typical actuating range

With evaluation unit CES-A-AEA-... and actuator CES-A-BBA

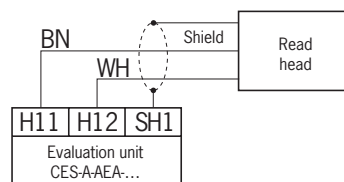


NOTICE

For a side approach direction for the actuator and read head, a minimum distance of $s = 3$ mm must be maintained so that the actuating range of the side lobes is not entered.

Terminal assignment

Read head with connection cable



Technical data

| Parameter | Value | | | Unit |
|---|--|------|------|------|
| | min. | typ. | max. | |
| Housing material | Fortron, reinforced thermoplastic, fully encapsulated | | | |
| Dimensions | 42 x 25 x 12 | | | mm |
| Weight (incl. 10 m cable) | 0.3 | | | kg |
| Ambient temperature | -25 | - | +70 | °C |
| Degree of protection | IP67/IP69K | | | |
| Installation orientation | Any | | | |
| Method of operation | Inductive | | | |
| Power supply | Via evaluation unit | | | |
| In combination with actuator CES-A-BBA on evaluation unit CES-A-AEA-... | | | | |
| Assured release distance S_{ar} | - | - | 32 | mm |
| Actuating range for center offset $m = 0$ ¹⁾ | | | | |
| - Switch-on distance | - | 15 | - | |
| - Assured operating distance S_{ao} | 10 | - | - | |
| - Switching hysteresis | 0.5 | 2 | - | |
| Minimum distance s for side approach direction | - | 3 | - | |
| In combination with actuator CES-A-BDA-20 on evaluation unit CES-A-AEA-... | | | | |
| Assured release distance S_{ar} | - | - | 33 | mm |
| Actuating range for center offset $m = 0$ ²⁾ | | | | |
| - Switch-on distance | - | 16 | - | |
| - Assured operating distance S_{ao} | 11 | - | - | |
| - Switching hysteresis | 0.5 | 2 | - | |
| Minimum distance s for side approach direction | - | 4 | - | |
| Connecting cable | Hard-wired encapsulated connection cable, with crimped ferrules PVC, \varnothing 4.6 mm PUR, \varnothing 4.8 mm, suitable for drag chain | | | |
| Cable length | - | - | 25 | m |

- 1) These values apply to surface installation of the read head and the actuator.
2) These values apply to non-metallic surrounding material. Other materials on request.

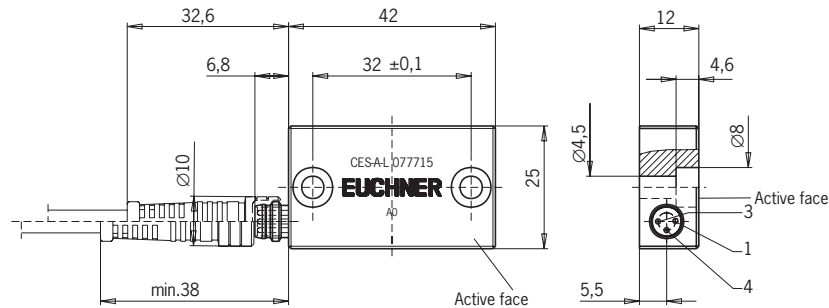
11.4. Read head CES-A-LNA-SC

- Cube-shaped design 42 x 25 mm
- M8 plug connector

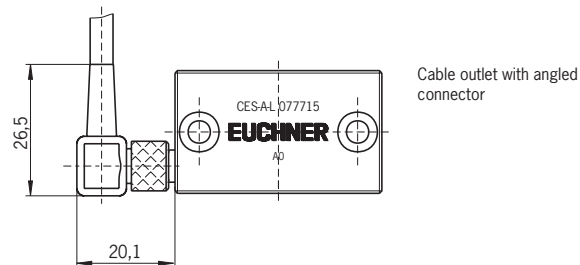
Approvals



Dimension drawing

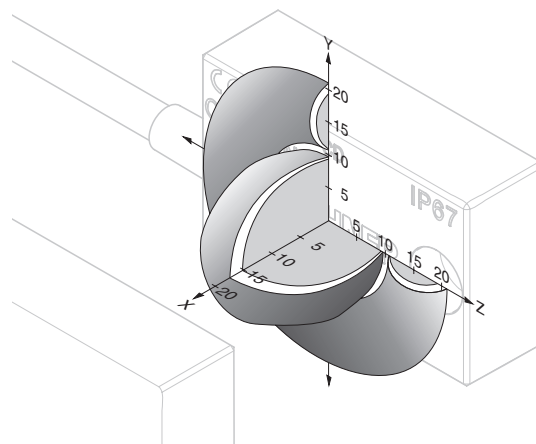


2 M4 x 14 safety screws included



Typical actuating range

With evaluation unit CES-A-AEA-... and actuator CES-A-BBA

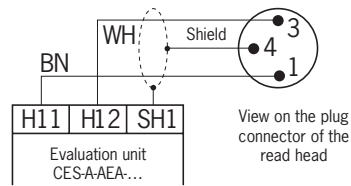


NOTICE

For a side approach direction for the actuator and read head, a minimum distance of $s = 3$ mm must be maintained so that the actuating range of the side lobes is not entered.

Terminal assignment

Read head with plug connector



Technical data

| Parameter | Value | | | Unit |
|---|---|------|------|------|
| | min. | typ. | max. | |
| Housing material | Fortron, reinforced thermoplastic, fully encapsulated | | | |
| Dimensions | 42 x 25 x 12 | | | mm |
| Weight (incl. 10 m cable) | 0.3 | | | kg |
| Ambient temperature | -25 | - | +70 | °C |
| Degree of protection | IP67/IP69K | | | |
| Installation orientation | Any | | | |
| Method of operation | Inductive | | | |
| Power supply | Via evaluation unit | | | |
| In combination with actuator CES-A-BBA on evaluation unit CES-A-AEA-... | | | | |
| Assured release distance S_{ar} | - | - | 32 | mm |
| Actuating range for center offset $m = 0$ ¹⁾ | | | | |
| - Switch-on distance | - | 15 | - | |
| - Assured operating distance S_{ao} | 10 | - | - | |
| - Switching hysteresis | 0.5 | 2 | - | |
| Minimum distance s for side approach direction | - | 3 | - | |
| In combination with actuator CES-A-BDA-20 on evaluation unit CES-A-AEA-... | | | | |
| Assured release distance S_{ar} | - | - | 33 | mm |
| Actuating range for center offset $m = 0$ ²⁾ | | | | |
| - Switch-on distance | - | 16 | - | |
| - Assured operating distance S_{ao} | 11 | - | - | |
| - Switching hysteresis | 0.5 | 2 | - | |
| Minimum distance s for side approach direction | - | 4 | - | |
| Connection | M8 plug connector, 3-pin | | | |
| Connecting cable | - | - | 25 | m |

- 1) These values apply to surface installation of the read head and the actuator.
2) These values apply to non-metallic surrounding material. Other materials on request.

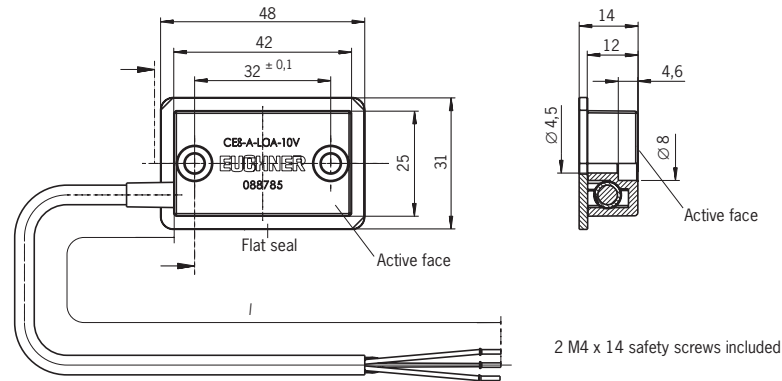
11.5. Read head CES-A-LCA-...

- Cube-shaped design 42 x 25 mm
- PE-HD plastic housing material, suitable for use in aggressive media (e.g. acids, alkalis)

Approvals



Dimension drawing

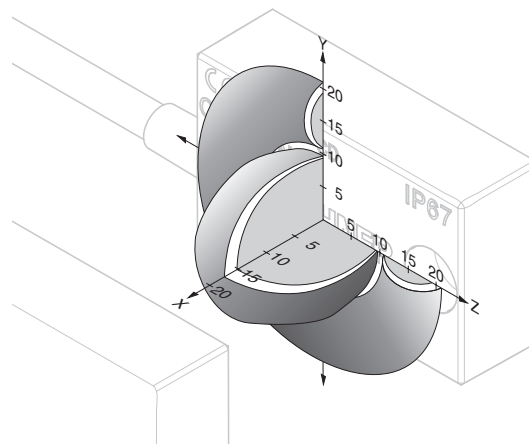


NOTICE

The flat seal provided must be used during assembly.

Typical actuating range

With evaluation unit CES-A-AEA-... and actuator CES-A-BCA

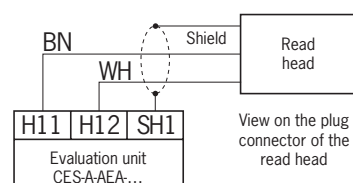


NOTICE

For a side approach direction for the actuator and read head, a minimum distance of $s = 3$ mm must be maintained so that the actuating range of the side lobes is not entered.

Terminal assignment

Read head with connection cable



Technical data

| Parameter | Value | | | Unit |
|---|--|------|------|------|
| | min. | typ. | max. | |
| Housing material | PE-HD plastic without reinforcement, fully encapsulated | | | |
| Flat seal material | Fluororubber 75 FPM 4100 | | | |
| Dimensions | 42 x 25 x 12 | | | mm |
| Weight (incl. 10 m cable) | 0.3 | | | kg |
| Ambient temperature | -25 | - | +50 | °C |
| Degree of protection | IP67/IP69K | | | |
| Installation orientation | Any | | | |
| Method of operation | Inductive | | | |
| Power supply | Via evaluation unit | | | |
| In combination with actuator CES-A-BBA on evaluation unit CES-A-AEA-... | | | | |
| Assured release distance S_{ar} | - | - | 32 | mm |
| Actuating range for center offset $m = 0$ ¹⁾ | | | | |
| - Switch-on distance | - | 15 | - | |
| - Assured operating distance S_{ao} | 10 | - | - | |
| - Switching hysteresis | 0.5 | 2 | - | |
| Minimum distance s for side approach direction | - | 3 | - | |
| In combination with actuator CES-A-BDA-20 on evaluation unit CES-A-AEA-... | | | | |
| Assured release distance S_{ar} | - | - | 33 | mm |
| Actuating range for center offset $m = 0$ ²⁾ | | | | |
| - Switch-on distance | - | 16 | - | |
| - Assured operating distance S_{ao} | 11 | - | - | |
| - Switching hysteresis | 0.5 | 2 | - | |
| Minimum distance s for side approach direction | - | 4 | - | |
| Connecting cable | Hard-wired encapsulated connection cable, with crimped ferrules PVC, \varnothing 4.6 mm | | | |
| Cable length | - | - | 25 | m |

1) These values apply to surface installation of the read head and the actuator.

2) These values apply to non-metallic surrounding material. Other materials on request.

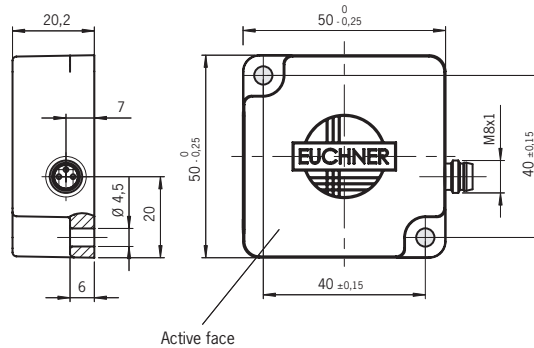
11.6. Read head CES-A-LQA-SC

- Cube-shaped design 50 x 50 mm
- M8 plug connector

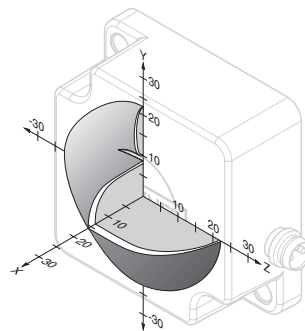
Approvals



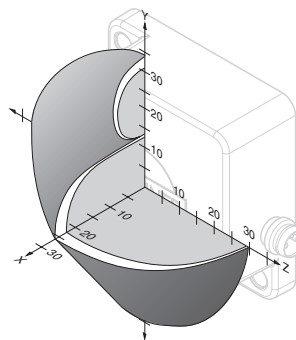
Dimension drawing



Typical actuating range



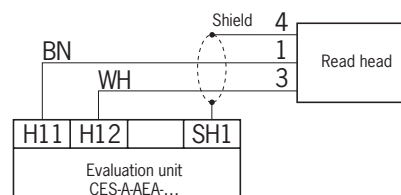
With actuator CES-ABBA or CES-BCA



With actuator CES-ABQA

Terminal assignment

Read head with connection cable



Technical data

| Parameter | Value | | | Unit |
|---|---|------|------|------|
| | min. | typ. | max. | |
| Housing material | Fortron, reinforced thermoplastic, fully encapsulated | | | |
| Dimensions | 50 x 50 x 20.2 | | | mm |
| Weight | 0.08 | | | kg |
| Ambient temperature | -25 | - | +70 | °C |
| Degree of protection | IP67 | | | |
| Installation orientation | Any | | | |
| Method of operation | Inductive | | | |
| Power supply | Via evaluation unit | | | |
| In combination with actuator CES-A-BBA or CES-A-BCA on evaluation unit CES-A-AEA-... | | | | |
| Assured release distance S_{ar} | - | - | 47 | mm |
| Actuating range for center offset $m = 0$ ¹⁾ | | | | |
| - Switch-on distance | - | 15 | - | |
| - Assured operating distance S_{ao} | 10 | - | - | |
| - Switching hysteresis | 2 | 3 | - | |
| In combination with actuator CES-A-BQA on evaluation unit CES-A-AEA-... | | | | |
| Assured release distance S_{ar} | - | - | 60 | mm |
| Actuating range with vertical approach direction Center offset $m = 0$ ¹⁾ | | | | |
| - Switch-on distance | - | 23 | - | |
| - Assured operating distance S_{ao} | 16 | - | - | |
| - Switching hysteresis | 2 | 3 | - | |
| Actuating range with side approach direction Distance in x direction = 10 mm | | | | |
| - Switch-on distance | - | 28 | - | |
| - Assured operating distance S_{ao} | 24 | - | - | |
| - Switching hysteresis | 1 | 1.3 | - | |
| Connection | M8 plug connector, 3-pin | | | |
| Connecting cable | - | - | 25 | m |

1) These values apply to surface installation of the read head and the actuator.

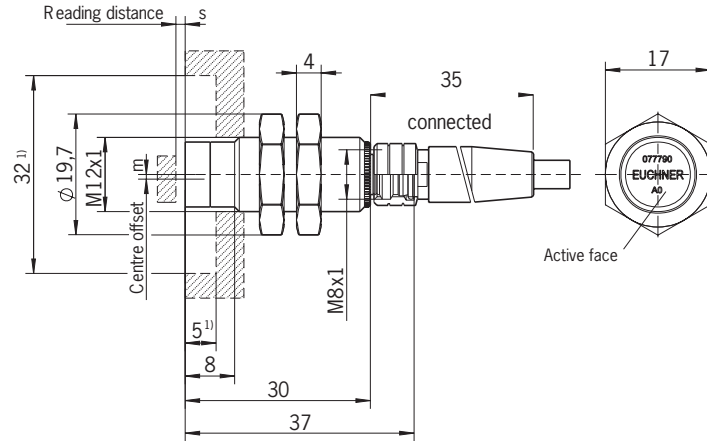
11.7. Read head CES-A-LMN-SC

- Cylindrical design M12
- M8 plug connector

Approvals



Dimension drawing



1) Clear zone (area of the active face without metal housing)

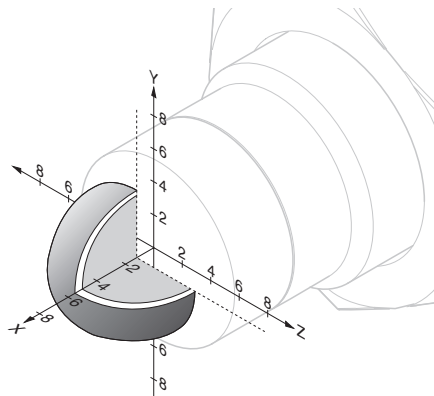


NOTICE

The read head is allowed to be installed as a maximum up to the clear zone (area of the active face without metal housing).

Typical actuating range

With evaluation unit CES-A-AEA... and actuator CES-A-BMB

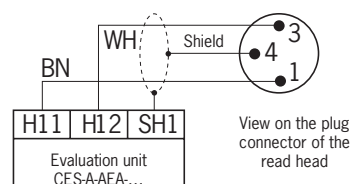


NOTICE

A minimum distance of $s = 1.2 \text{ mm}$ must be maintained.

Terminal assignment

Read head with plug connector



Technical data

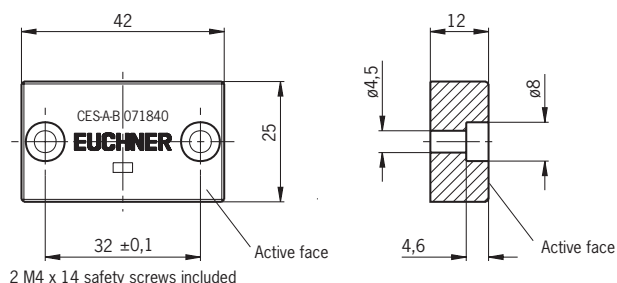
| Parameter | Value | | | Unit |
|--|---|------|------|------|
| | min. | typ. | max. | |
| Housing material | Nickel-plated CuZn housing sleeve Plastic PBT GF20 cap | | | |
| Dimensions | M12 x 1, length 38 | | | mm |
| Weight (incl. 10 m cable) | 0.2 | | | kg |
| Ambient temperature | -25 | - | +85 | °C |
| Ambient pressure (only of active face in installed condition) | - | - | 10 | bar |
| Degree of protection | IP67/IP69/IP69K | | | |
| Installation orientation | Any | | | |
| Method of operation | Inductive | | | |
| Power supply | Via evaluation unit | | | |
| In combination with actuator CES-A-BMB on evaluation unit CES-A-AEA-... | | | | |
| Assured release distance S_{ar} | - | - | 10 | mm |
| Actuating range for center offset $m = 0$ ¹⁾ | | | | |
| - Switch-on distance | - | 5 | - | |
| - Assured operating distance S_{ao} | 3.5 | - | - | |
| - Switching hysteresis | 0.1 | 0.3 | - | |
| Connection | M8 plug connector, 3-pin | | | |
| Connecting cable | - | - | 15 | m |

- 1) These values apply to surface installation of the read head in steel.
- 2) A distance of $s = 4$ mm must be maintained for a side approach direction.
- 3) A distance of $s = 3$ mm must be maintained for a side approach direction.

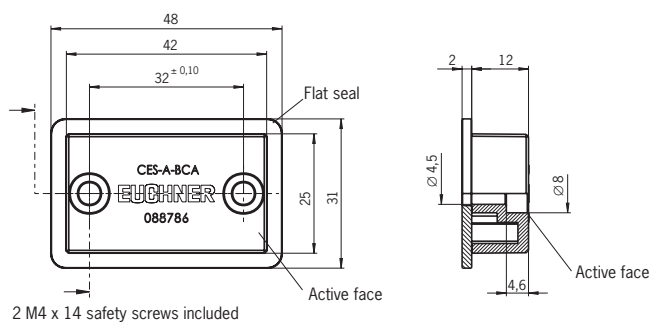
11.8. Actuator CES-A-BBA/CES-A-BCA

- › Cube-shaped design 42 x 25 mm
- › CES-A-BCA suitable for use in aggressive media (e.g. acids, alkalis)
- › In combination with read head CES-A-LNA.../CES-A-LCA...

Dimension drawing for CES-A-BBA



Dimension drawing for CES-A-BCA



NOTICE

CES-A-BCA: The flat seal provided must be used during assembly.

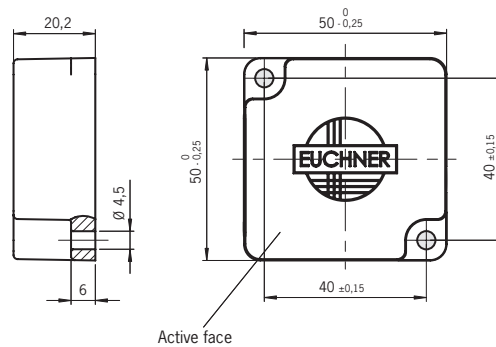
Technical data

| Parameter | Value | | | Unit |
|-------------------------------------|---|------|------|------|
| | min. | typ. | max. | |
| Housing material | Fortron, reinforced thermoplastic, fully encapsulated | | | |
| - CES-A-BBA | PE-HD plastic without reinforcement, fully encapsulated | | | |
| - CES-A-BCA | Fluororubber 75 FPM 4100 | | | |
| Flat seal material (CES-A-BCA only) | | | | |
| Dimensions | 42 x 25 x 12 | | | mm |
| Weight | 0.02 | | | kg |
| Ambient temperature | | | | |
| - CES-A-BBA | -25 | - | +70 | °C |
| - CES-A-BCA | -25 | - | +50 | |
| Degree of protection | IP67/IP69K | | | |
| Installation orientation | Active face opposite read head | | | |
| Power supply | Inductive via read head | | | |

11.9. Actuator CES-A-BQA

▸ Cube-shaped design 50 x 50 mm

Dimension drawing for CES-A-BQA



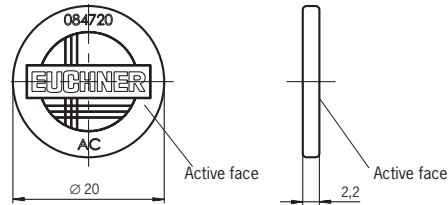
Technical data

| Parameter | Value | | | Unit |
|--------------------------|---|------|------|------|
| | min. | typ. | max. | |
| Housing material | Fortron, reinforced thermoplastic, fully encapsulated | | | |
| Dimensions | 50 x 50 x 20.2 | | | mm |
| Weight | 0.07 | | | kg |
| Ambient temperature | -25 | - | +70 | °C |
| Degree of protection | IP67 | | | |
| Installation orientation | Active face opposite read head | | | |
| Power supply | Inductive via read head | | | |

11.10. Actuator CES-A-BDA-20

- › Round design \varnothing 20 mm
- › In combination with read head CES-A-LNA.../CES-A-LCA...

Dimension drawing



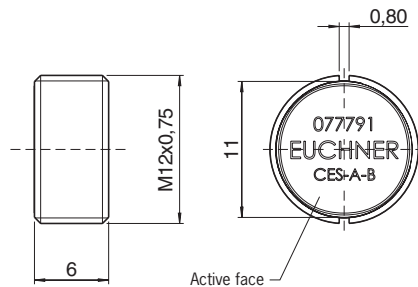
Technical data

| Parameter | Value | | | Unit |
|--------------------------|-------|--------------------------------|------|------|
| | min. | typ. | max. | |
| Housing material | | PC plastic | | |
| Dimensions | | \varnothing 20 x 2.2 | | mm |
| Weight | | 0.0008 | | kg |
| Ambient temperature | -25 | - | +70 | °C |
| Degree of protection | | IP67 | | |
| Installation orientation | | Active face opposite read head | | |
| Power supply | | Inductive via read head | | |

11.11. Actuator CES-A-BMB

- Cylindrical design M12 x 75
- In combination with read head CES-A-LMN-SC
 (actuating range on request for read head CES-A-LNA.../LCA...)

Dimension drawing



NOTICE

- The actuator can be screwed into the M12 x 0.75 thread provided with the aid of an insertion tool (order no. 037 662).
- Flush installation of the actuator in steel is permissible.

Technical data

| Parameter | Value | | | Unit |
|--------------------------|--------------------------------|------|------|------|
| | min. | typ. | max. | |
| Housing material | Stainless steel | | | |
| Dimensions | M12 x 0.75, depth 6 | | | mm |
| Weight | 0.002 | | | kg |
| Ambient temperature | -25 | - | +85 | °C |
| Degree of protection | IP67/IP69/IP69K | | | |
| Installation orientation | Active face opposite read head | | | |
| Power supply | Inductive via read head | | | |

12. Ordering information and accessories



Tip!

Suitable accessories, e.g. cables or assembly material, can be found at www.euchner.com. To order, enter the order number of your item in the search box and open the item view. Accessories that can be combined with the item are listed in "Accessories."

13. Inspection and service



WARNING

Loss of the safety function because of damage to the device.
In case of damage, the related safety component must be replaced. The replacement of individual parts in a safety component is not permitted.

Regular inspection of the following is necessary to ensure trouble-free long-term operation:

- › Check the switching function (see chapter 9.3. *Functional check on page 16*)
- › Check the secure mounting of the devices and the connections
- › Check for soiling
- › Check for sealing of the plug connector on the safety switch
- › Check for loose cable connections on the plug connector
- › Check the release distance

No servicing is required. Repairs to the device are only allowed to be made by the manufacturer.



NOTICE

The year of manufacture can be seen in the lower right corner of the rating plate.

14. Service

If servicing is required, please contact:

EUCHNER GmbH + Co. KG
Kohlhammerstraße 16
70771 Leinfelden-Echterdingen

Service telephone:

+49 711 7597-500

E-mail:

support@euchner.de

Internet:

www.euchner.com

15. Declaration of conformity



EUCHNER

More than safety.

EU-Konformitätserklärung
EU declaration of conformity
Déclaration UE de conformité
Dichiarazione di conformità UE
Declaración UE de conformidad

Original DE
Translation EN
Traduction FR
Traduzione IT
Traducción ES

2077154-35-12/18

Die nachfolgend aufgeführten Produkte sind konform mit den Anforderungen der folgenden Richtlinien (falls zutreffend):
The beneath listed products are in conformity with the requirements of the following directives (if applicable):
Les produits mentionnés ci-dessous sont conformes aux exigences imposées par les directives suivantes (si valable)
I prodotti sotto elencati sono conformi alle direttive sotto riportate (dove applicabili):
Los productos listados a continuación son conforme a los requisitos de las siguientes directivas (si fueran aplicables):

| | | |
|------|---|--|
| I: | Maschinenrichtlinie <i>Machinery directive</i> <i>Directive Machines</i> <i>Direttiva Macchine</i> <i>Directiva de máquinas</i> | 2006/42/EG 2006/42/EC 2006/42/CE 2006/42/CE 2006/42/CE |
| II: | Funkanlagen-Richtlinie (RED) <i>Radio equipment directive</i> <i>Directive équipement radioélectrique</i> <i>Direttiva apparecchiatura radio</i> <i>Directiva equipo radioeléctrico</i> | 2014/53/EU 2014/53/EU 2014/53/UE 2014/53/UE 2014/53/UE |
| III: | RoHS Richtlinie <i>RoHS directive</i> <i>Directive de RoHS</i> <i>Direttiva RoHS</i> <i>Directiva RoHS</i> | 2011/65/EU 2011/65/EU 2011/65/UE 2011/65/UE 2011/65/UE |

Die Schutzziele der Niederspannungsrichtlinie 2014/35/EU und EMV Richtlinie 2014/30/EU werden gemäß Artikel 3.1 der Funkanlagen-Richtlinie eingehalten.
The safety objectives of the Low-voltage directive 2014/35/EU and EMC Directive 2014/30/EU comply with article 3.1 of the Radio equipment directive.
Les objectifs de sécurité de la Directive basse tension 2014/35/UE et Directive de CEM 2014/30/UE sont conformes à l'article 3.1 de la Directive équipement radioélectrique.
Gli obiettivi di sicurezza della Direttiva bassa tensione 2014/35/UE e Direttiva CEM 2014/30/UE sono conformi a quanto riportato nell'articolo 3.1 della Direttiva apparecchiatura radio.
Los objetivos de seguridad de la Directiva de bajo voltaje 2014/35/UE y Directiva CEM 2014/30/UE cumplen con el artículo 3.1 de la Directiva equipo radioeléctrico.

Folgende Normen sind angewandt:
Following standards are used:
Les normes suivantes sont appliquées:
Vengono applicate le seguenti norme:
Se utilizan los siguientes estándares:

| | |
|----|---------------------------|
| a: | EN 60947-5-3:2013 |
| b: | EN ISO 14119:2013 |
| c: | EN 62026-2:2013 (ASi) |
| d: | EN ISO 13849-1:2015 |
| e: | EN ISO 13849-2:2012 |
| f: | EN 60947-5-2:2007/A1:2012 |
| i: | EN 50581:2012 (RoHS) |
| j: | EN 50364:2010 |
| k: | EN 300 330 V2.1.1 |



EUCHNER

More than safety.

| Bezeichnung der Bauteile Description of components Description des composants Descrizione dei componenti Descripción de componentes | Type Type Type Tipo Tipo | Richtlinie Directives Directive Direttiva Directivas | Normen Standards Normes Norme Estándares | Zertifikats-Nr. No. of certificate Número du certificat Numero del certificato Número del certificado | | | | | | |
|---|--|---|--|---|---------------------|---------------------|----------|------------|---------------------|----------|
| Auswertegerät Safety Unit Analyseur Centralina Unidad de evaluación | CES-A-ABA-01 CES-A-UBA-01 CES-A-ABA-01B CES-A-UBA-01B | I, II, III | a, b, d, e, i, j, k | ET 15038 | | | | | | |
| | CES-A-AEA-02B CES-A-AEA-04B CES-A-UEA-02B CES-A-UEA-04B | | | | I, II, III | a, b, d, e, i, j, k | ET 15050 | | | |
| | CES-AZ-ABS-01B CES-AZ-UBS-01B | | | | | | | I, II, III | a, b, d, e, i, j, k | ET 15038 |
| | CES-AZ-AES-01B CES-AZ-AES-02B CES-AZ-AES-04B CES-AZ-UES-01B CES-AZ-UES-02B CES-AZ-UES-04B | | | | | | | | | |
| | Lesekopf Read head Tête de lecture Testina di lettura Cabeza lectora | CES-A-LMN-SC CES-A-LNA-SC CES-A-LNA-xxx CES-A-LCA-xxx CES-A-LQA-SC CES-A-LNN-SC CES-A-LNN-V-... | I, II, III | a, b, d, e, i, j, k | | | | ET 15038 | | |
| | | ET 15050 | | | | | | | | |
| | | ET 15042 | | | | | | | | |
| | | CES-A-LSP-SB CES-A-LSP-... | | | I, II, III | a, b, d, e, i, j, k | ET 15042 | | | |
| | | CEM-A-LE05K-S2 CEM-A-LE05R-S2 CEM-A-LH10K-S3 CEM-A-LH10R-S3 CEM-A-LE05K-S1-10V CEM-A-LH10K-S2-10V | | | | | | I, II, III | a, b, d, e, i, j, k | ET 15038 |
| | | ET 15050 | | | | | | | | |
| | ET 15042 | | | | | | | | | |
| | CET-A-XL-... | I, II, III | a, b, d, e, i, j, k | ET 13050 | | | | | | |
| Betätiger Actuator Actionneur Azionatore Actuador | CES-A-BBA-... CES-A-BCA-... CES-A-BDA-... CES-A-BMB-... CES-A-BQA-... | | | | I, II, III | a, b, d, e, i, j, k | ET 15038 | | | |
| | ET 15050 | | | | | | | | | |
| ET 15042 | | | | | | | | | | |
| CES-A-BSP-... CES-A-BBN-... | I, II, III | a, b, d, e, i, j, k | ET 15042 | | | | | | | |
| CEM-A-BE05 CEM-A-BH10 | | | | I, II, III | a, b, d, e, i, j, k | ET 15038 | | | | |
| ET 15050 | | | | | | | | | | |
| ET 15042 | | | | | | | | | | |
| CET-A-BW-... | I, II, III | a, b, d, e, i, j, k | ET 13050 | | | | | | | |

Benannte Stelle
Notified Body
Organisme notifié
Sede indicata
Entidad citada

0340
DGUV Test Prüf- und Zertifizierungsstelle Fachausschuss Elektrotechnik
Gustav-Heinemann-Ufer 130
50968 Köln - Germany



EUCHNER

More than safety.

| Bezeichnung der Bauteile <i>Description of components</i> <i>Description des composants</i> <i>Descrizione dei componenti</i> <i>Descripción de componentes</i> | Type <i>Type</i> <i>Type</i> <i>Tipo</i> <i>Typo</i> | Richtlinie <i>Directives</i> <i>Directive</i> <i>Direttiva</i> <i>Directivas</i> | Normen <i>Standards</i> <i>Normes</i> <i>Norma</i> <i>Estándares</i> | Zertifikats-Nr. <i>No. of certificate</i> <i>Numéro du certificat</i> <i>Numero del certificato</i> <i>Número del certificado</i> |
|---|---|--|--|--|
| Auswertegerät <i>Safety Unit</i> <i>Analyseur</i> <i>Centralina</i> <i>Unidad de evaluación</i> | CES-AZ-ALS... CES-A-F1B-01B-AS1 CES-A-V1B-01B-AS1 CEM-A-ME05K-S1 CEM-A-LE05H-S2 CEM-A-LE05K-S2-P CET1-AX-L... CET2-AX-L... | I, II, III I, II, III I, II, III I, II, III I, II, III I, II, III | a, b, d, e, i, j, k a, b, c, d, e, i, j, k a, b, d, e, i, j, k a, b, d, e, i, j, k a, b, d, e, i, j, k | UQS 115948 Euchner QS PB 62/2005 Euchner QS PB 22/2005 Euchner QS PB 132/2010 Euchner QS PB 019/2018 Euchner QS PB 17/2008 Euchner QS PB 23/2008 Euchner QS PB 116/2009 Euchner QS PB 115/2009 |
| Lesekopf <i>Read head</i> <i>Tête de lecture</i> <i>Testina di lettura</i> <i>Cabeza lectora</i> | CES-A-LFP... | I, II, III | a, b, d, e, i, j, k | Euchner QS PB 110/2010 |
| Betätiger <i>Actuator</i> <i>Actionneur</i> <i>Azionatore</i> <i>Actuador</i> | CES-A-BFP... | I, II, III | a, b, d, e, i, j, k | Euchner QS PB 110/2010 |
| Zubehör <i>Accessory</i> <i>Accessoire</i> <i>Accessorio</i> <i>Accesorio</i> | PM-SCL-096945 | III | f, i | Euchner QS PB 14 /2006 |

Genehmigung der umfassenden Qualitätssicherung (UQS) durch die benannte Stelle
Approval of the full quality assurance system by the notified body
Approbation du système d'assurance qualité complet par l'organisme notifié
Approvazione del sistema di garanzia di qualità totale da parte dell'organismo notificato
Aprobación del sistema de aseguramiento de calidad total por parte del organismo notificado

0035
TÜV Rheinland
Industrie Service GmbH
Alboinstr. 56 - 12103 Berlin
Germany

Die alleinige Verantwortung für die Ausstellung dieser Konformitätserklärung trägt der Hersteller:
This declaration of conformity is issued under the sole responsibility of the manufacturer:
La présente déclaration de conformité est établie sous la seule responsabilité du fabricant:
La presente dichiarazione di conformità è rilasciata sotto la responsabilità esclusiva del fabbricante:
La presente declaración de conformidad se expide bajo la exclusiva responsabilidad del fabricante:

EUCHNER GmbH + Co. KG
Kohlhammerstraße 16
70771 Leinfelden-Echterdingen
Germany

Leinfelden, Dezember 2018
EUCHNER GmbH + Co. KG
Kohlhammerstraße 16
70771 Leinfelden-Echterdingen
Germany

i.A. Dipl.-Ing. Richard Holz
Leiter Elektronik-Entwicklung
Manager Electronic Development
Responsable Développement Électronique
Direttore Sviluppo Elettronica
Director de desarrollo electrónico

i.A. Dipl.-Ing. (FH) Duc Binh Nguyen
Dokumentationsbevollmächtigter
Documentation manager
Responsable documentation
Responsabilità della documentazione
Agente documenta

EUCHNER GmbH + Co. KG
Kohlhammerstraße 16
70771 Leinfelden-Echterdingen
info@euchner.de
www.euchner.com

Edition:
2084606-22-08/20
Title:
Operating instructions Non-Contact Safety System
CES-A-AEA-02B/CES-A-AEA-04B (Unicode)
(Translation of the original operating instructions)
Copyright:
© EUCHNER GmbH + Co. KG, 08/2020

Subject to technical modifications; no responsibility is accepted for the accuracy of this information.