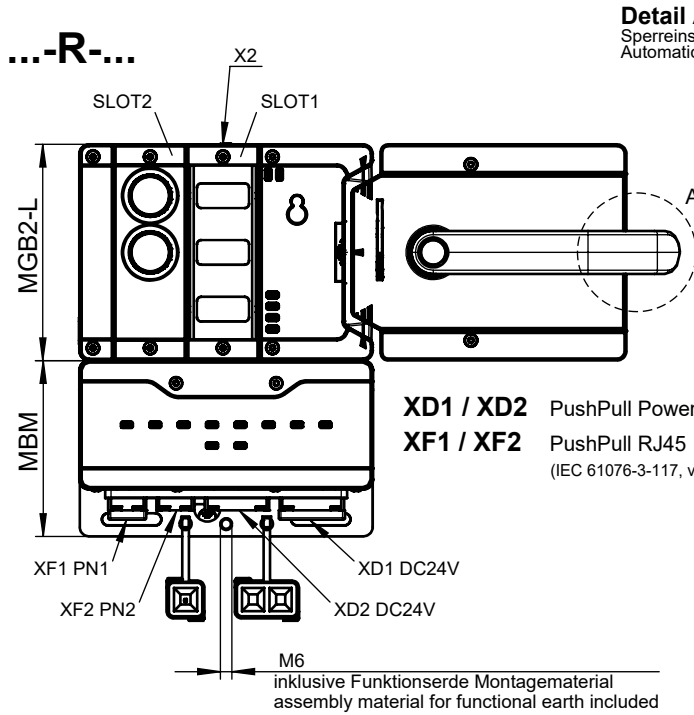
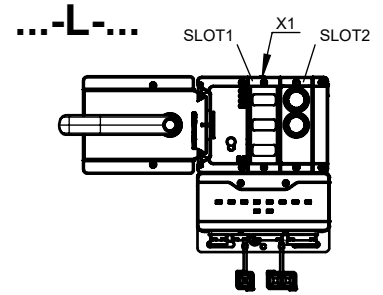


© EUCHNER GmbH + Co. KG Maße in mm / Dimensions in mm



**Detail A**  
Sperreinsatz im ausgefahrenen Zustand  
Automatic lockoutbar in "open" position.



**XD1 / XD2** PushPull Power  
**XF1 / XF2** PushPull RJ45  
(IEC 61076-3-117, variant 14)

- Inklusive:**
- 3 Einlegeschilder (silber, ohne Aufschrift)
  - Etikettenhalter (AY-C-A1-156732)
  - Erdungsschraube M6x8 (AC-FE-GS-M6X8-170020)
- Including:**
- 3 Insertion plates (silver, without inscription)
  - label holder (AY-C-A1-156732)
  - Grounding screw M6x8 (AC-FE-GS-M6X8-170020)

- AY-SET-LNS-0001-120344 (1x)  
**Blenden-Set** für Taster inklusive:  
**Cover-Set** for push-buttons including:
- 2x weiss / white
  - 1x blau / blue
  - 1x gelb / yellow
  - 1x grün / green
  - 1x rot / red

M6  
inklusive Funktionserde Montagematerial  
assembly material for functional earth included

	MGB2-L...	MSM... (SLOT1)	MSM... (SLOT2)	AC-AC... (X1)	AC-AC... (X2)	MGB2-H...	MBM...	MGB-E...
MGB2-L1HEB-PN-U-S3-DA-R-174448	136776	137610	137742	157024	156718	136691	169764	100465
MGB2-L1HEB-PN-U-S3-DA-L-174449	136776	137610	137742	156718	157024	156394	169764	100465

**Betriebsanleitung beachten**

(bei Abweichungen zwischen Datenblatt und Betriebsanleitung gelten die Daten des Datenblattes)  
**Please observe the operating instructions**  
(in case of disagreement between data sheet and operating instructions, the information of the data sheet are to be considered)

**Übersicht der Kommunikationsdaten:**  
**Overview of the communication data:**

**Input**

Ethernet <sup>1)</sup> standard	Bit 7	Bit 6	Bit 5	Bit 4	Bit 3	Bit 2	Bit 1	Bit 0
1st Byte	BM_E_G	-	BM_E_SYS	-	-	BM_E_ML2	BM_E_ML1	BM_D_RUN
2nd Byte	Diagnose Byte (pluggable)							

Ethernet <sup>1)</sup> standard	Bit 7	Bit 6	Bit 5	Bit 4	Bit 3	Bit 2	Bit 1	Bit 0
1st Byte	LM1_E_G	LM1_E_ER	LM1_E_SM1	LM1_E_SM0	-	LM1_I_UK	LM1_I_SK	LM1_D_RUN
2nd Byte	-	-	-	-	-	LM1_I_OL	LM1_I_OT	LM1_I_OD
3rd Byte	Diagnose Byte (pluggable)							

Ethernet <sup>1)</sup> standard	Bit 7	Bit 6	Bit 5	Bit 4	Bit 3	Bit 2	Bit 1	Bit 0
1st Byte	-	-	-	-	-	-	SM2_I_S2	SM2_I_S1
2nd Byte	Diagnose Byte (pluggable)							

Ethernet <sup>1)</sup> SAFE	Bit 7	Bit 6	Bit 5	Bit 4	Bit 3	Bit 2	Bit 1	Bit 0
!	-	-	-	-	-	-	LM1_FI_UK	LM1_FI_SK

**Output**

Ethernet <sup>1)</sup> standard	Bit 7	Bit 6	Bit 5	Bit 4	Bit 3	Bit 2	Bit 1	Bit 0
1st Byte	BM_ACK_G	-	-	-	-	-	-	-

Ethernet <sup>1)</sup> standard	Bit 7	Bit 6	Bit 5	Bit 4	Bit 3	Bit 2	Bit 1	Bit 0
1st Byte	LM1_ACK_G	LM1_ACK_ER	-	-	-	-	-	LM1_O_CL

Ethernet <sup>1)</sup> standard	Bit 7	Bit 6	Bit 5	Bit 4	Bit 3	Bit 2	Bit 1	Bit 0
1st Byte	-	-	-	SM2_O_H2_B	SM2_O_H1_B	-	SM2_O_H2	SM2_O_H1

Ethernet <sup>1)</sup> SAFE	Bit 7	Bit 6	Bit 5	Bit 4	Bit 3	Bit 2	Bit 1	Bit 0
!	-	-	-	-	-	-	-	LM1_FO_CL

<sup>1)</sup> Ethernet Protokoll in Abhängigkeit des verwendeten MBM Busmodul / Ethernet protocol according to the used MBM Busmodul

Technische Änderungen vorbehalten, alle Angaben ohne Gewähr / Subject to technical modifications; no responsibility is accepted for the accuracy of this information.