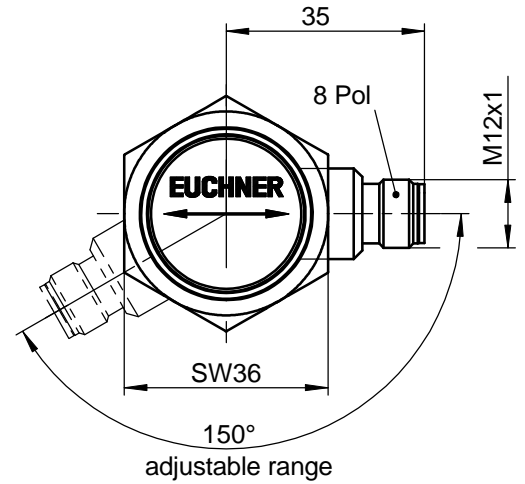
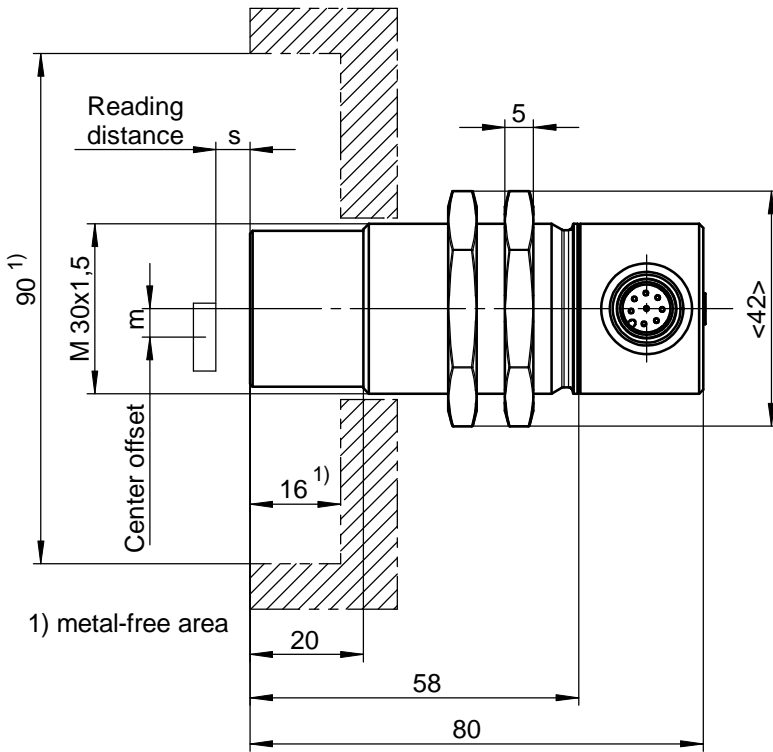
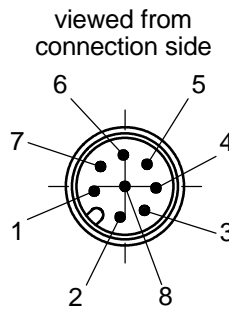


Technische Änderungen vorbehalten, alle Angaben ohne Gewähr / Subject to technical modifications; no responsibility is accepted for the accuracy of this information. © EUCHNER GmbH + Co. KG



Note:

All the electrical connections must either be isolated from the mains supply by a safety transformer according to IEC/EN 61558-2-6 with limited output voltage in the event of a fault, or by other equivalent isolation measures.



Pin	Connection/signal	
1	0V	-
2	+UB	-
3	A	Output
4	B	Output
5	C	Output
6	D	Output
7	SKIP	Input
8	Strobe	Output
Shield	Shield	-

Technical data

Parameter	Value			Unit
	min.	nom.	max.	
Housing	Brass, nickel plated			
Environmental protection IEC 60529	IP 67			
Storage temperature	-25		+70	°C
Ambient temperature	0		+50	°C
Installation method	non flush			
Operating voltage UB	20		28	V
Current consumption IB (without load)		110	150	mA
Load current per output I (push-pull)			±30	mA
Output voltage:				
- A, B, C, D, Strobe = 1 (HIGH-Level)	UB-3V			V
- A, B, C, D, Strobe = 0 (LOW-Level)			2	V
Input voltage:				
- Skip = 1 (HIGH-Level)	15		UB	V
- Skip = 0 (LOW-Level)	0		2	V
Input resistance Ri (Skip-Input)		4,5		kΩ