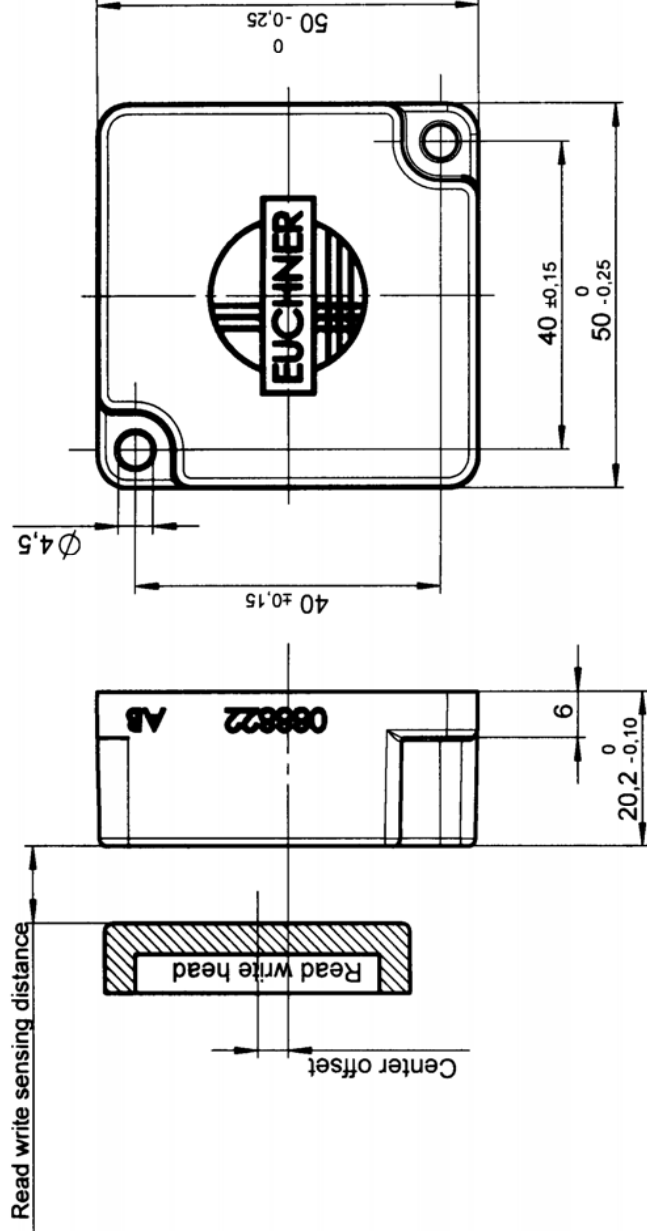




Made in mm



Technical Data :

Housing
 Environmental protection EN 60529
 Installation method
 Operating temperature
 Storage temperature

Power supply
 Carrier frequency
 Memory capacity
 Data retention time (at T= +22°C)
 Number of read/write cycles

PPS-plastic
 IP 67
 screw fixture, non flush in metal
 -20°C to +85°C
 -20°C to +85°C
 product life under temperature cycles tested
 with 1000 cycles (+20°C to +85°C)
 inductiv via read/write head
 125 kHz
 16 Byte
 20 years
 100 000

**Operating parameters with
 Read/write head CIT3ASX1R1G05KR**

read sensing distance l_s
 write sensing distance s_s
 Center offset ($l_s/s_s = 10\text{mm}$ and $T = +25^\circ\text{C}$)

max. 20mm
 max. 15mm
 ± 4,0mm

**Operating parameters with
 Read head CIT3APLI1G04ST**

read sensing distance l_s (dynamic)
 read sensing distance l_s (static)
 Center offset ($l_s/s_s = 15\text{mm}$ and $T = +25^\circ\text{C}$)

max. 25mm
 max. 30mm
 max. ± 4,0mm

Ausg.	Änd.-Nr.	Datum	Name	Datum	Name
2	03530	25.09.03	Prirsch	22.10.02	Prirsch
			Geprüft	22.10.01	<i>[Signature]</i>
			Genehmigt	22.10.01	<i>[Signature]</i>



Ersetzt durch	Ersatz für

**Technische Änderungen vorbehalten
 Subject to technical modifications**
 DS-127192-01-Blatt 2

Benennung
 Data carrier CIS3AP50X50SH16YSNOU

Zeichnungs-Nr.
 088822

Klasse-Nr.
 1473