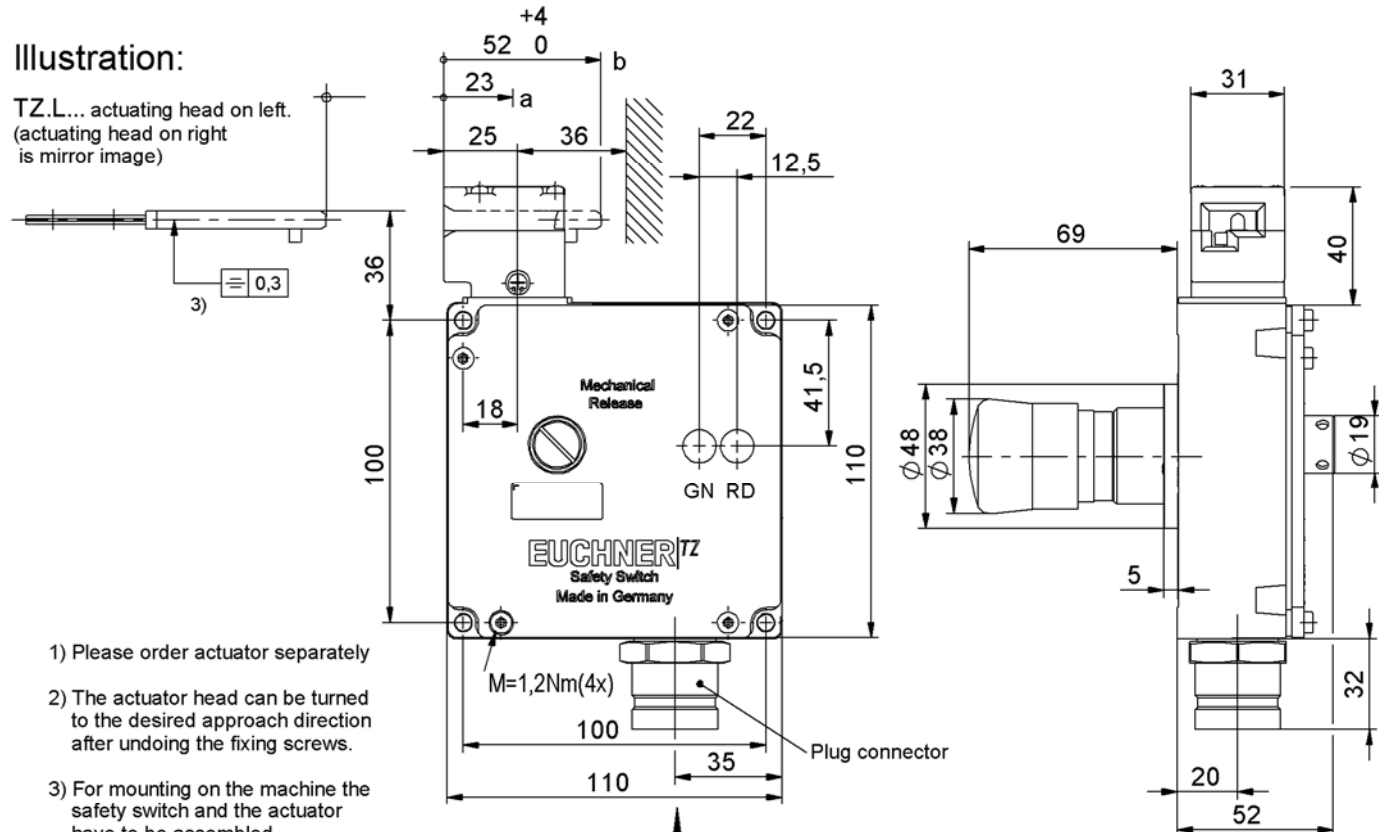


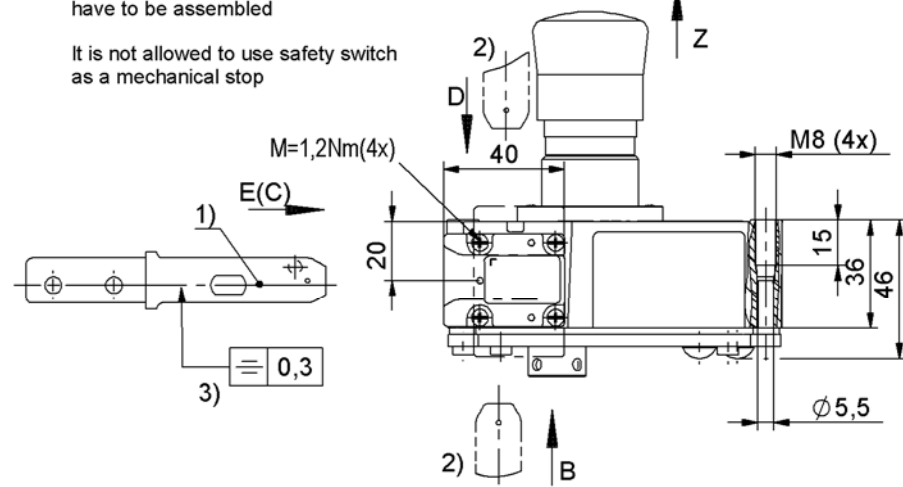
Illustration:

TZ.L... actuating head on left.
(actuating head on right is mirror image)

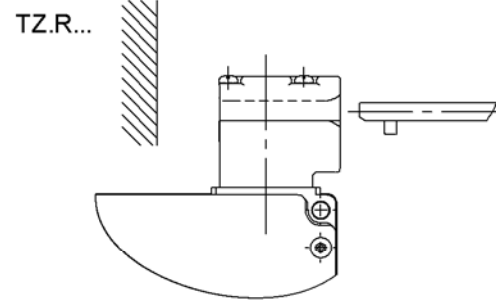


- 1) Please order actuator separately
- 2) The actuator head can be turned to the desired approach direction after undoing the fixing screws.
- 3) For mounting on the machine the safety switch and the actuator have to be assembled

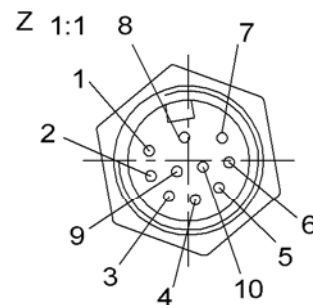
It is not allowed to use safety switch as a mechanical stop



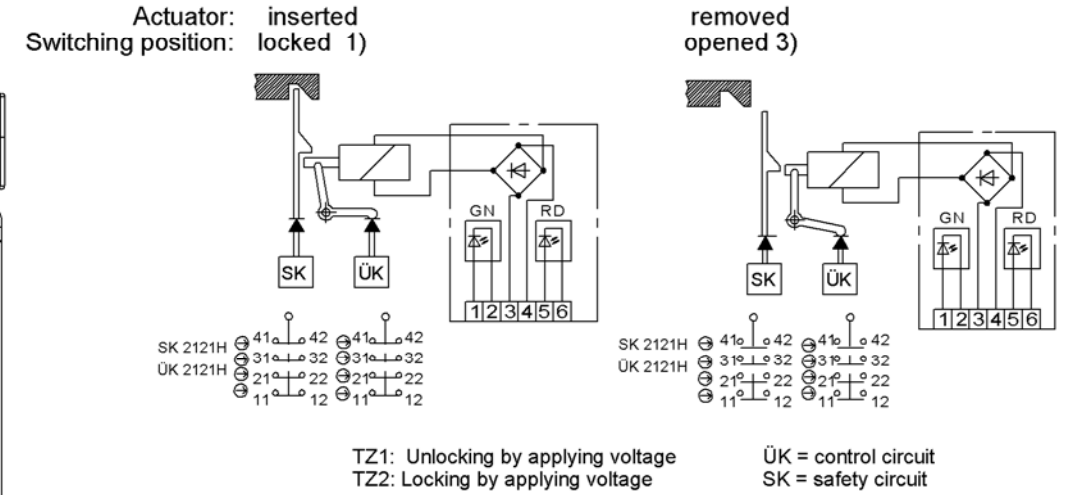
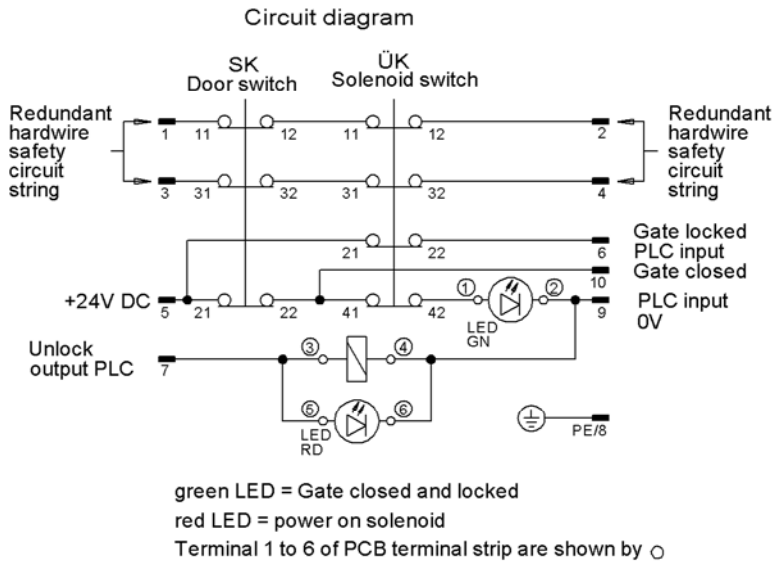
- a Pre-travel:
The actuator is in the guide, but does not initiate switching operation.
- b Switching operation complete:
The actuator must be inserted up to this point to ensure reliable switching. The actuator must be withdrawn at least to point a) for switching off.



Pin assignment



Built in receptacle:
MIN-10MR-1-18-...
Mencor Corporation
www.mencorcorp.com



119368	TZ1RE024BHA-C2399	24V
119367	TZ1LE024BHA-C2399	24V
Id-Nr.	Type	solenoid voltages

Technical Data Please observe the operating instructions (in case of disagreement between data sheet and operating instructions, the information of the data sheet are to be considered)

Parameter	Value	Unit
Housing material	Anodized die-cast alloy	
Environmental protection to IEC 60529	IP65	
Mechanical operations	1 x 10 ⁶	
Ambient temperature	-25 to +80	°C
Mounting position	optional	
Approach speed max.	20	m/min
Operating-, Extraction-, Retaining force	35 / 30 / 10	N
Retaining force max.	2000	N
Retaining force according to test principle GS-ET-19	1500	N

SWITCH ELEMENT		
Type	SK2121H, ÜK2121H	
Switching principle	Slow action	
Contact material	Silver alloy, gold-flashed	
Terminal	Plug connector (No. of contacts) BHA10 (10-pin)	
Rated insulation voltage Ui	250	V
Rated impulse withstand voltage Uimp	1,5	kV
Utilization category to IEC / EN 60 947-5-1	AC-15 le 4A Ue 230V DC-13 le 4A Ue 24V	
Switching voltage min. at 10mA	12	V
Switching current min. at 24V	1	mA
Short-circuit protection (control fuse)	4	A gG

SOLENOID		
Operating voltage, see type	24	V _~
ON time	100	%
Connected load	7	W

Status LEDs The operating voltage of the LEDs correspond to the supply voltage of the solenoid.

Technische Änderungen vorbehalten, alle Angaben ohne Gewähr / Subject to technical modifications; no responsibility is accepted for the accuracy of this information. © EUCHNER GmbH + Co KG Maße in mm / Dimension in mm