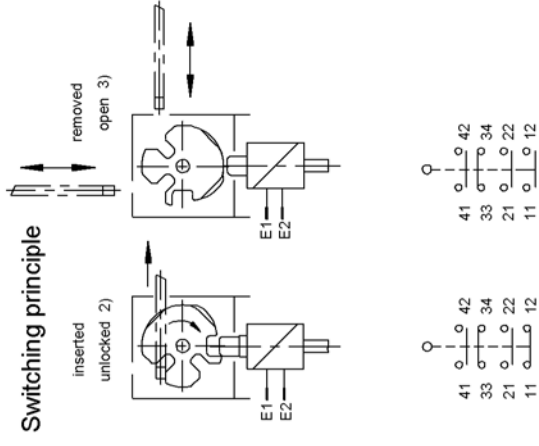


Minimum Travel - overtravel	
Approach direction	Standard actuator
horizontal (h)	24,5 +5
vertical (v)	24,5 +5

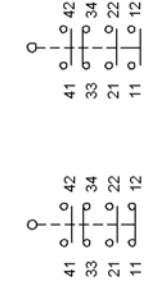
The safety switch and actuator must be assembled for installation purposes.

The safety switch must not be used as an end stop.



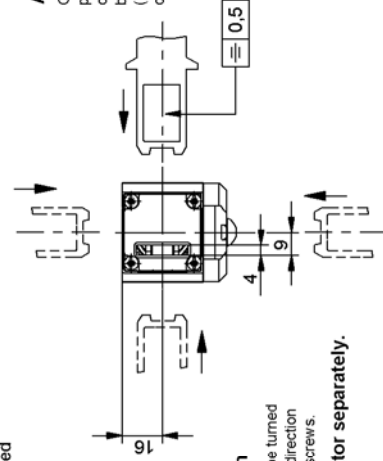
Switching principle

Type STP3-2131... 3NC 4) + 1NO



4) 2 direct opening NC + 1 delayed NC as door contact

connector not aligned



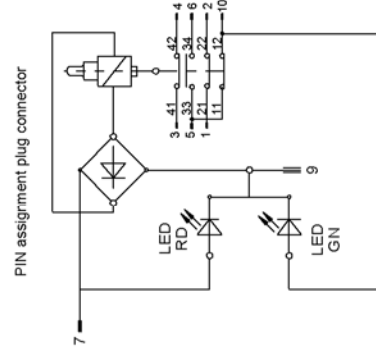
Approach direction

The actuator head can be turned to be desired approach direction after undoing the fixing screws.

Please order actuator separately.

Attention:

Connector is not connected to ground potential, without protective earth conductor. Take protective measures before putting device into service. (i.e. apply minimum voltage with safe cut-off / PELV)



PIN assignment plug connector

Technical Data Please observe the operating instructions (in case of disagreement between data sheet and operating instructions, the information of the data sheet are to be considered)

Parameters	Value	Unit
Housing material	Reinforced thermoplastic	
Degree of protection according to IEC 60529	IP 65	
Installation position	any	
Mechanical service life	1 x 10 ⁶	Sw itching cycles
Ambient temperature	-20 ... +55	°C
Approach speed max.	20	m/min
Actuating- / extraction- / retention force	35 / 30 / 20	N
Locking force, F max.	2500	N
Locking force F _{Zh} (incl. safety margin acc. to GS-E1-19)	2000	N
Actuation frequency	1200	1/h
Locking methods		
Actuator inserted:	STP3: Mechanically locked, 1) unlocking by applying voltage up to position unlocked 2). Open 3) if actuator is removed.	
Weight	approx. 0.5	kg
Solenoid operating voltage	+10% -15%	V
Duty cycle	100	%
Connected load	8	W
Switching principle	Slowaction contact element	
Contact material	Silver alloy, gold flashed	
Type of connection	Plug connector BHA10	
Rated insulation voltage U _i	50	V
Rated impulse withstand voltage U _{imp}	2.5	kV
Utilization category according to EN 60947-5-1	AC-15 4A 50V DC-13 4A 24V	
Switching voltage min. 10mA	12	V
Switching current min. at 24V	1	mA
Conventional thermal current I _{th}	4	A
Short circuit protection (control circuit fuse)	4	A.gG