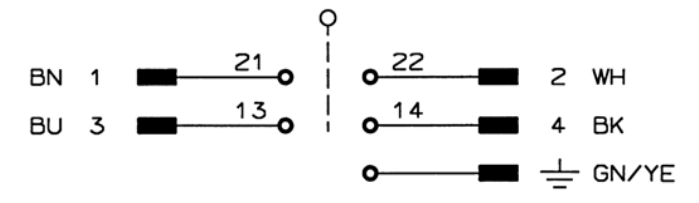
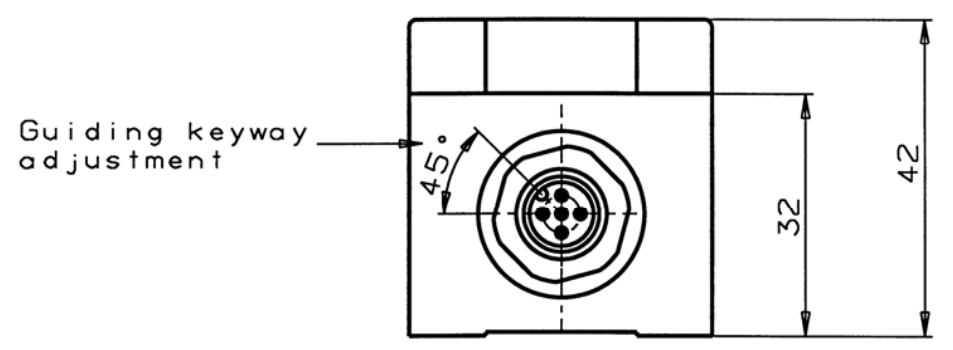
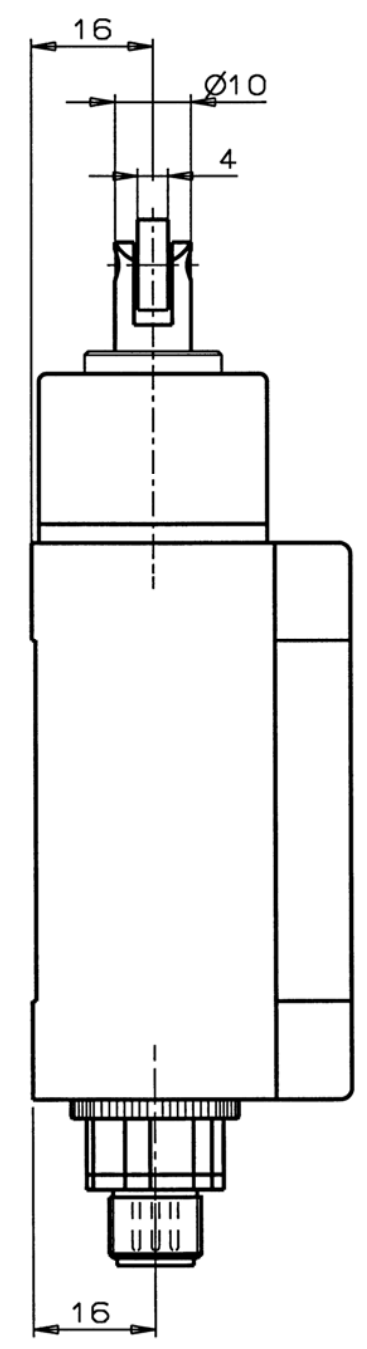
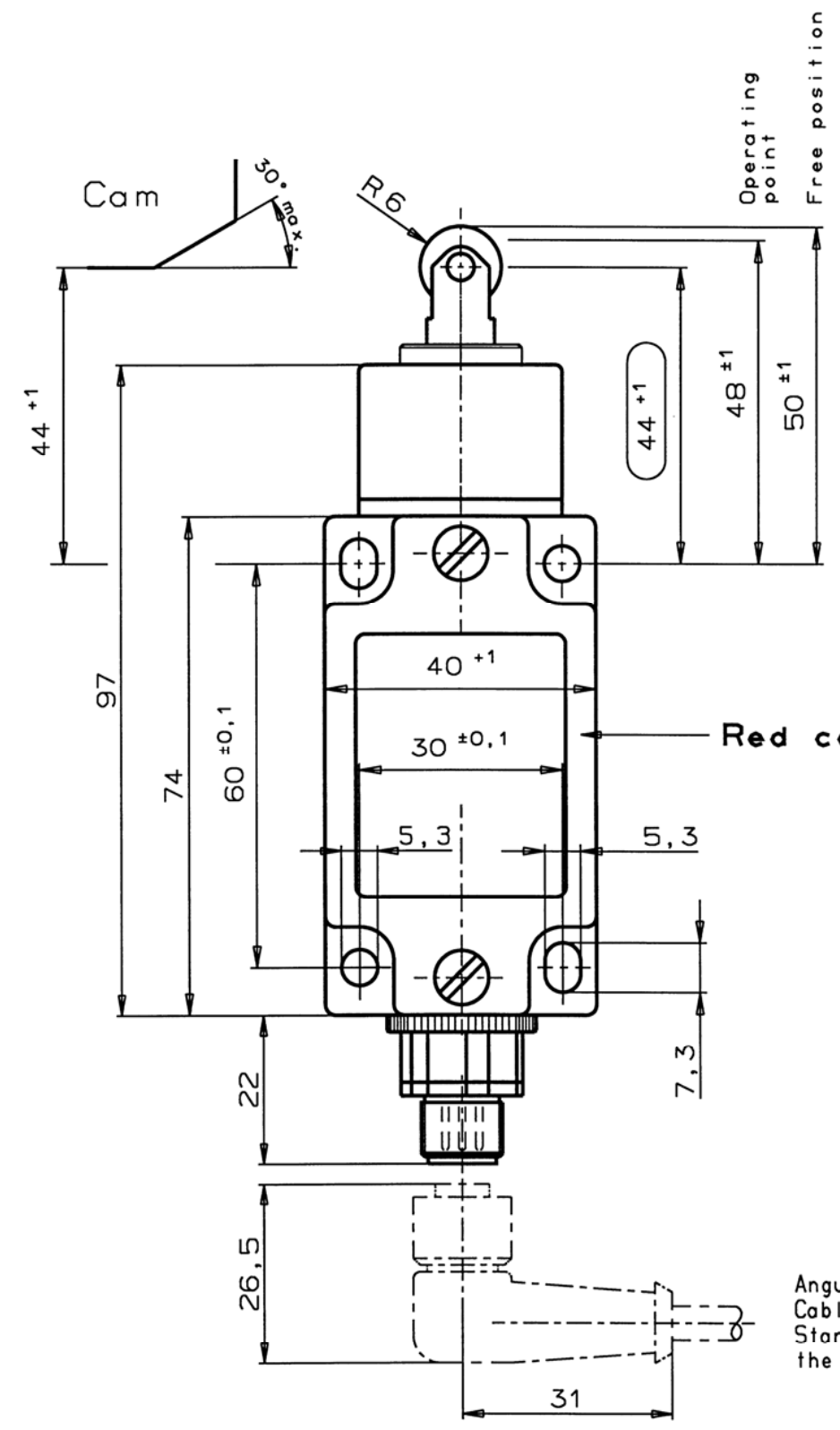


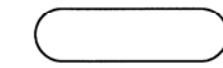
Made in mm



Correspondent plug connector has to be ordered separately.
 System Lumberg
 SGLF5-5000P straight plug connector 073461
 SWLF5-5000P angled plug connector 073462

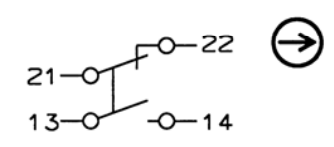


Angular connector
 Cable position adjustable max. 270°
 Standard position for cable output to the right side



The positively driven NC-contact function is dependent on keeping this measurement.

The actuator (cam) has to be connected to the machine in a form-fitted way. The switch only can be substituted by the same switch type.



Switching element
 ES511 Snap-action switch
 1 positively driven NC +
 1 NO contact

- Environmental protection to : IP 67
EN 60529 (only when connected with the correspondent plug connector)
- Rated insulation voltage U_i : 50V
- Utilization category to : AC-15 U_e 30V I_e 4A
EN 60947-5-1 DC-13 U_e 24V I_e 4A
- Switching current min.at : 10mA
- Switching voltage : DC 12V
- Short-circuit protection : 4A gG
(control circuit fuse)
- Approach speed, max. : 60m/min

CAD - Zeichnung, keine manuellen Änderungen durchföhrent
 Schutzvermerk nach DIN 34 beachten. Copyright reserved.

Ausg.	Änd.-Nr.	Datum	Name	Datum	Name	Technische Änderungen vorbehalten Subject to technical modifications	Maßstab
				Bearbeitet 05.04.02	Wa		
				Geprüft 22.06.05	Man		Blatt
				Genehmigt 22.06.05	Man		E
						Benennung Single plunger limit switch NZ2RS-511SVM5C2000	Zeichnungs-Nr.
							087148
Ersetzt durch						Ersetzt für	Klasse-Nr.
							1123