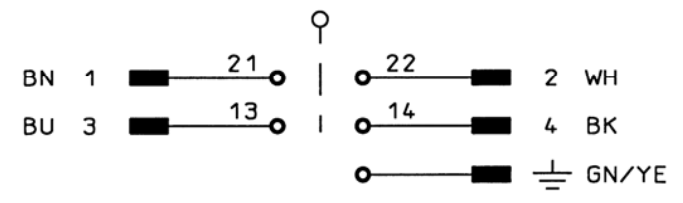
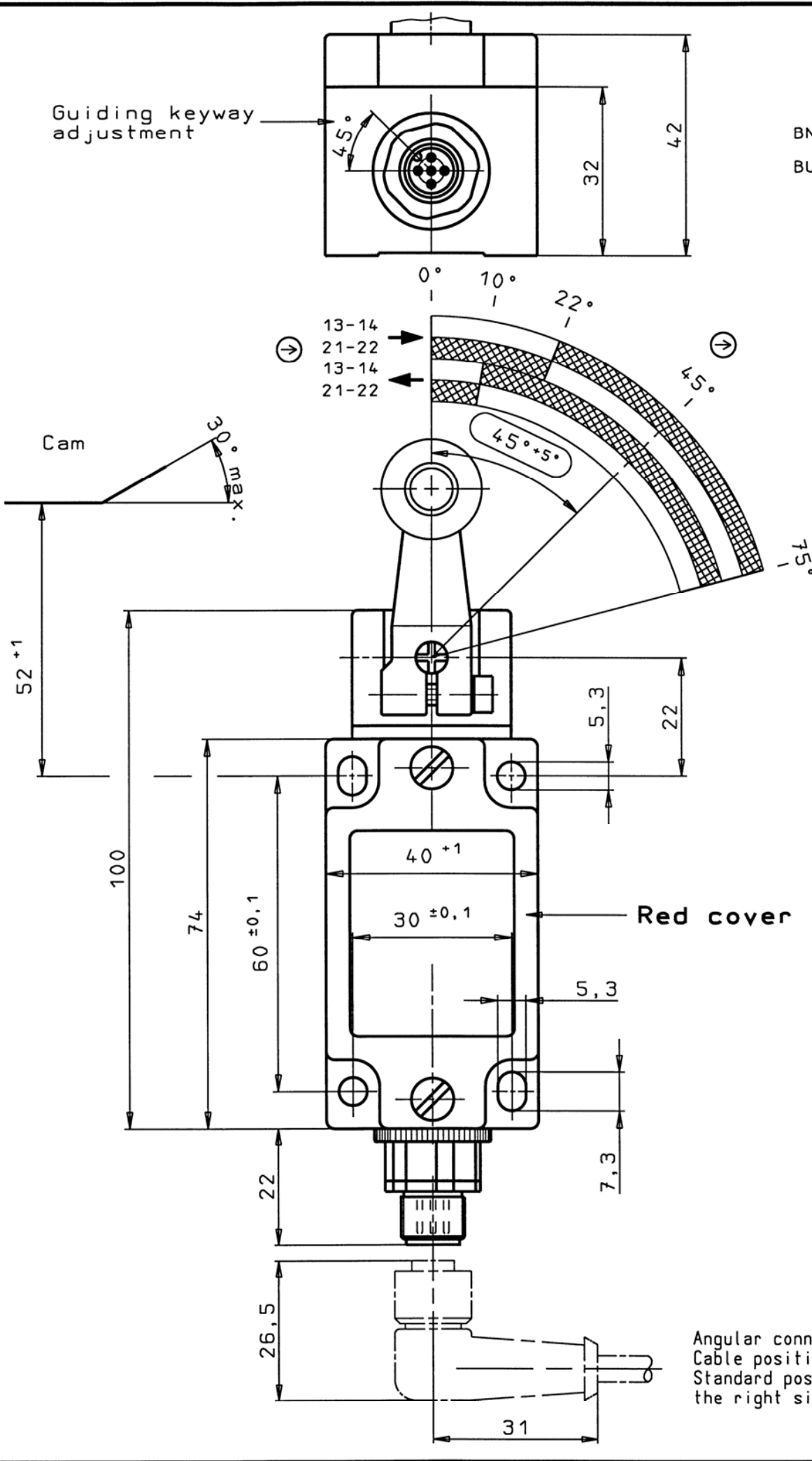
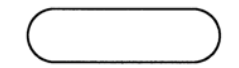
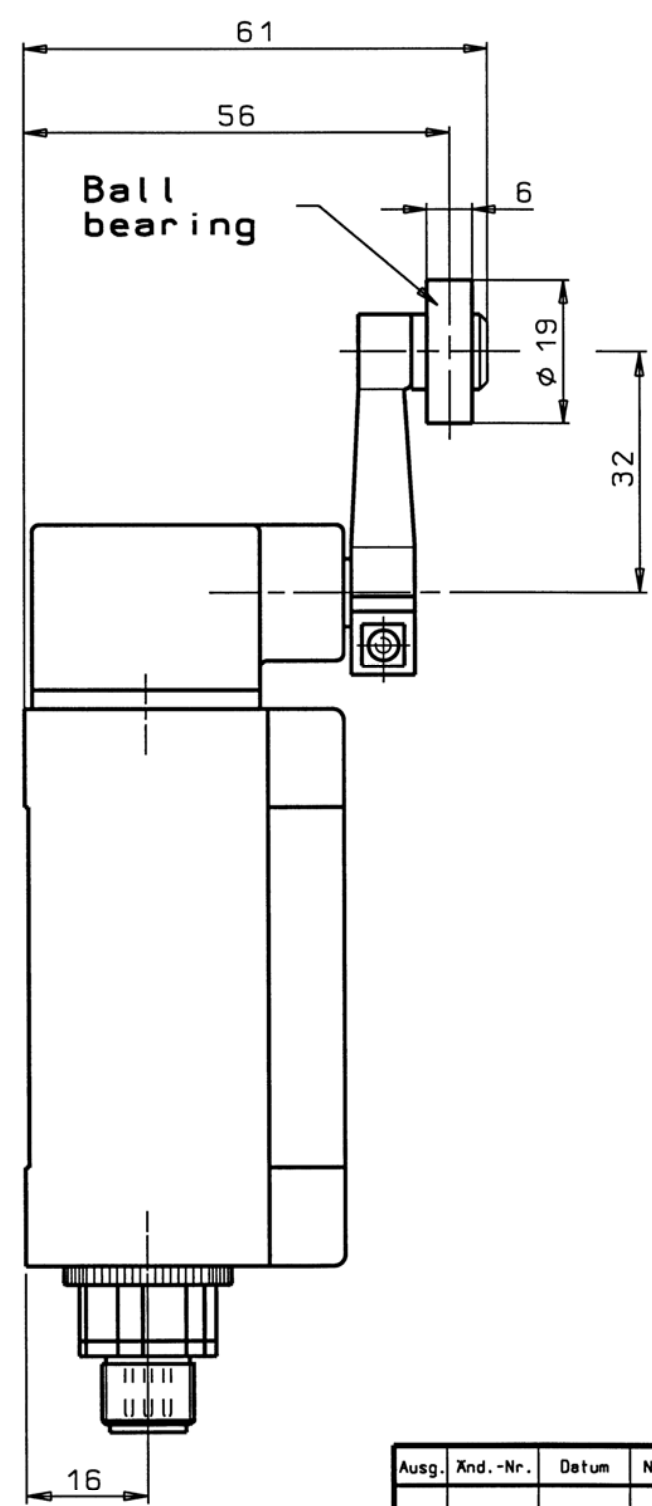


CAD - Zeichnung, keine manuellen Änderungen durchführen!
 Schutzmerk nach DIN 34 beachten. Copyright reserved.



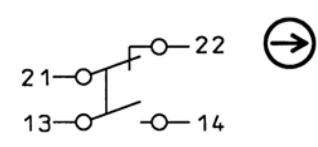
Correspondent plug connector has to be ordered separately.

System Lumberg
 SGLF5-5000P straight plug connector 073461
 SWLF5-5000P angled plug connector 073462



The positively driven NC-contact function is dependent on keeping this measurement.

The actuator (cam) has to be connected to the machine in a form-fitted way. The switch only can be substituted by the same switch type.



Switching element
 ES511 Snap-action switch
 1 positively driven NC +
 1 NO contact

Environmental protection to : IP 67
 EN 60529 (only when connected with the correspondent plug connector)

Rated insulation voltage U_i : 50V

Utilization category to : AC-15 U_e 30V I_e 4A
 EN 60947-5-1 DC-13 U_e 24V I_e 4A

Switching current min.at : 10mA

Switching voltage : DC 24V

Short-circuit protection : 4A gG
 (control circuit fuse)

Angular connector
 Cable position adjustable max. 270°
 Standard position for cable output to the right side

Ausg.	Änd.-Nr.	Datum	Name	Datum	Name	Technische Änderungen vorbehalten Subject to technical modifications	Maßstab 1:1		
				Bearbeitet 21.03.02	Wa				
				Geprüft 22.06.05	Man				Blatt E
				Genehmigt 22.06.05	Man				
						Benennung Single plunger limit switch NZ2HS-511SYM5C2000	Zeichnungs-Nr. 087154 Klasse-Nr. 1123		
Ersetzt durch		Ersetzt für							