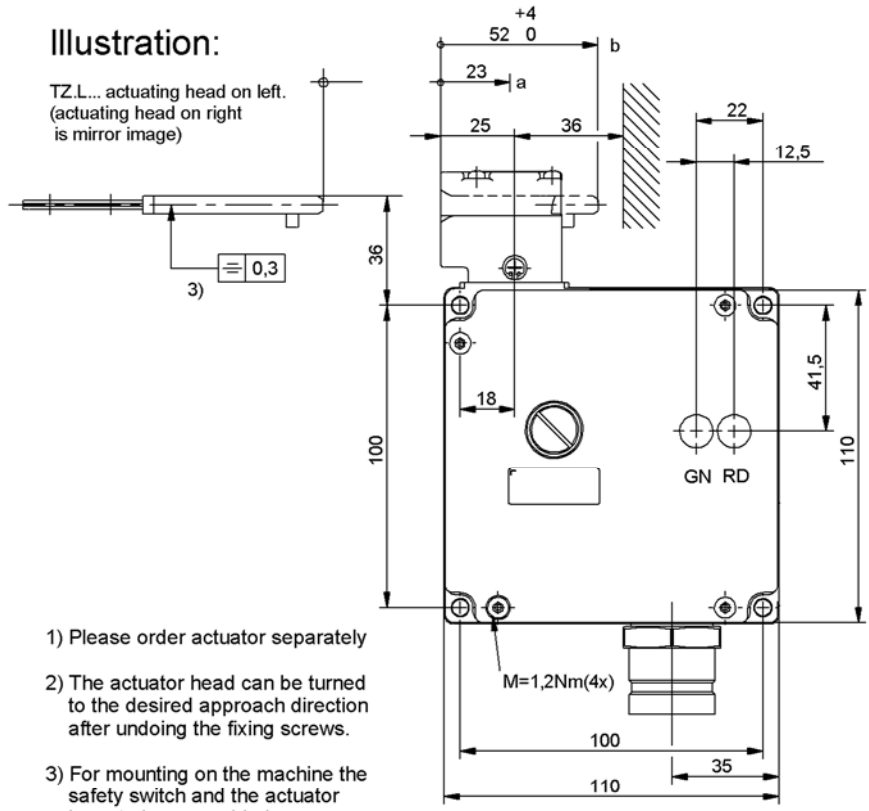


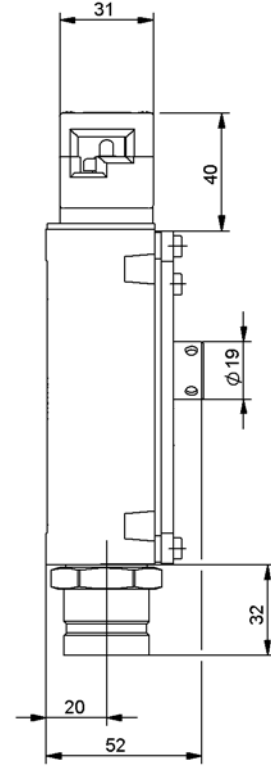
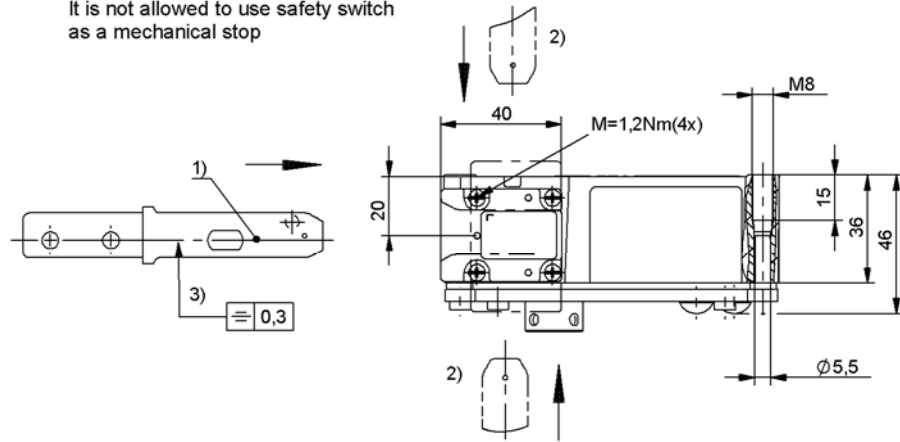
Illustration:

TZ.L... actuating head on left.
(actuating head on right is mirror image)



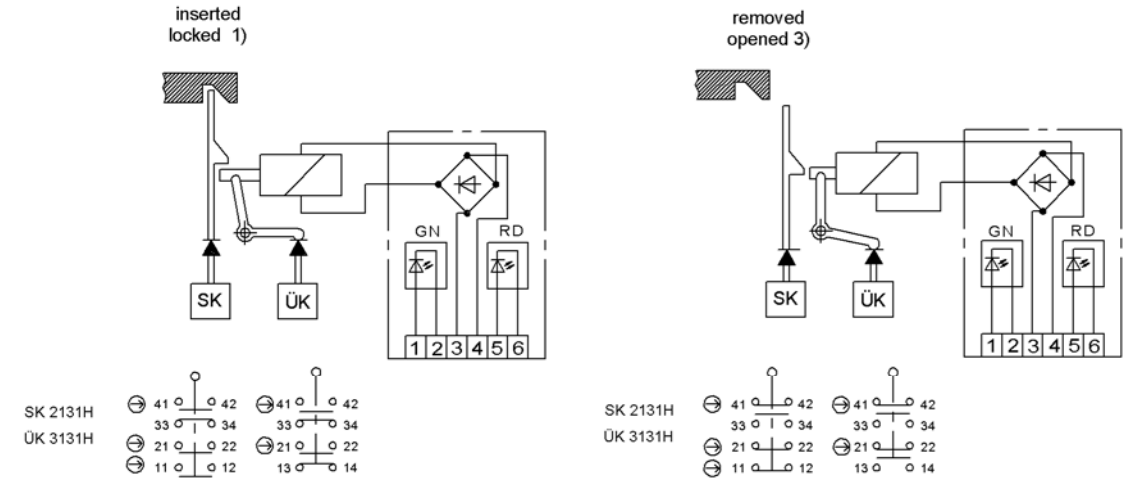
- 1) Please order actuator separately
- 2) The actuator head can be turned to the desired approach direction after undoing the fixing screws.
- 3) For mounting on the machine the safety switch and the actuator have to be assembled

It is not allowed to use safety switch as a mechanical stop



- a Pre-travel:
The actuator is in the guide, but does not initiate switching operation.
- b Switching operation complete:
The actuator must be inserted up to this point to ensure reliable switching. The actuator must be withdrawn at least to point a) for switching off.

Actuator:
Switching position:



TZ1: Unlocking by applying voltage
TZ2: Locking by applying voltage
UK = control circuit
SK = safety circuit

075314	TZ1RE024BHAVAB-C1781	24V
075316	TZ1LE024BHAVAB-C1781	24V
Id-No.	Typ	solenoid voltages

Technical Data Please observe the operating instructions (in case of disagreement between data sheet and operating instructions, the information of the data sheet are to be considered)

Parameter	Value	Unit
Housing material	Anodized die-cast alloy	
Environmental protection to IEC 60529	IP65	
Mechanical operations	1 x 10 ⁶	
Ambient temperature	-25 to +80	°C
Mounting position	optional	
Approach speed max.	20	m/min
Operating-, Extraction-, Retainig force	35 / 30 / 10	N
Retaining force max.	2000	N
Retaining force according to test principle GS-ET-19	1500	N

SWITCH ELEMENT

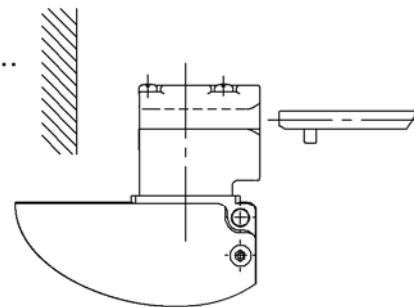
Type	SK2131H, UK3131H	
Switching principle	Slow action	
Contact material	Silver alloy, gold-flashed	
Terminal		
Plug connector (No. of contacts)	BHA12 (12-pin)	
Rated insulation voltage U _i	250	V
Rated impulse withstand voltage U _{imp}	1,5	kV
Utilization category to IEC / EN 60 947-5-1	AC-15 Ie 4A Ue 230V DC-13 Ie 4A Ue 24V	
Switching voltage min. at 10mA	12	V
Switching current min. at 24V	1	mA
Short-circuit protection (control fuse)	4A gG	

SOLENOID

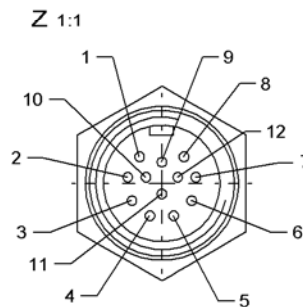
Operating voltage, see type	24	V _~
ON time	100	%
Connected load	7	W

Status LEDs The operating voltage of the LEDs correspond to the supply voltage of the solenoid.

TZ.R...



Pin assignment



Built in receptacle:
MIN-12MR-1-18-...
Mencom Corporation
www.mencomcorp.com

Orientation of plug connector is not defined

