

Maße in mm / Dimension in mm



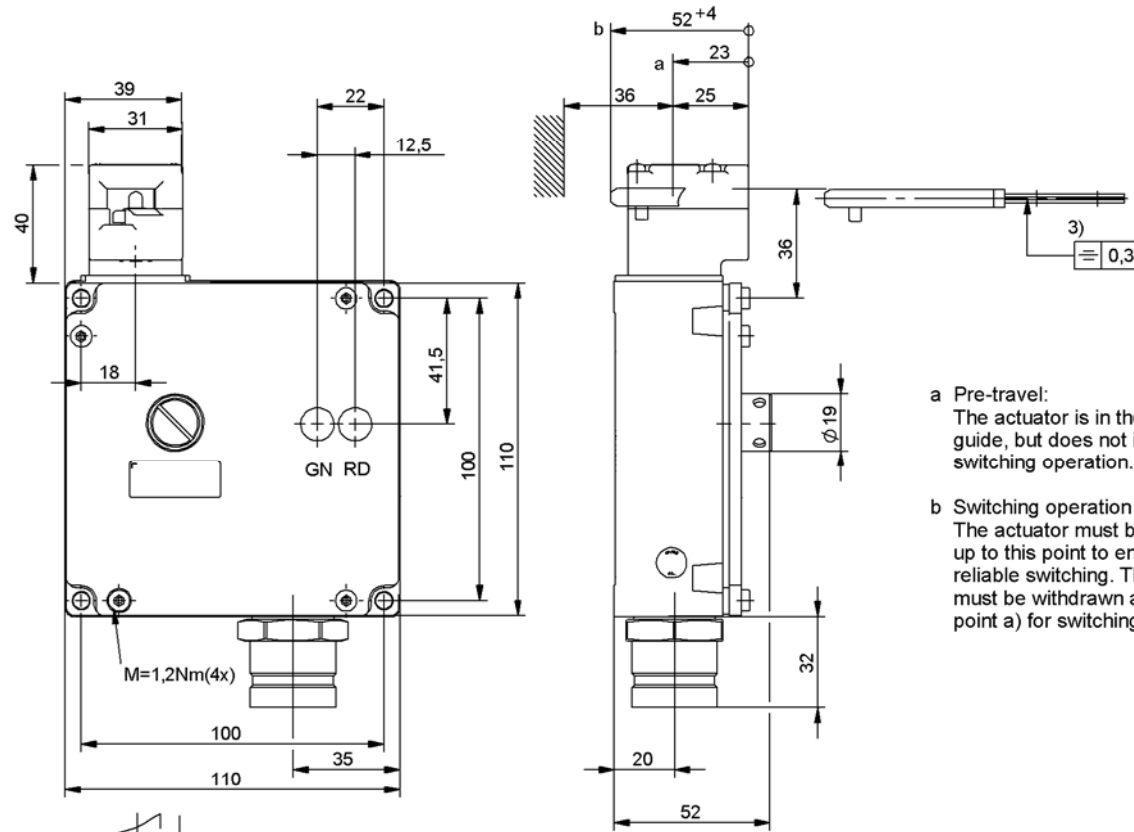
© EUCHNER GmbH + Co KG

Technische Änderungen vorbehalten, alle Angaben ohne Gewähr / Subject to technical modifications; no responsibility is accepted for the accuracy of this information.

Technische Änderungen vorbehalten, alle Angaben ohne Gewähr / Subject to technical modifications; no responsibility is accepted for the accuracy of this information.

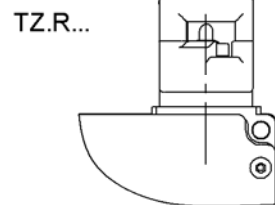
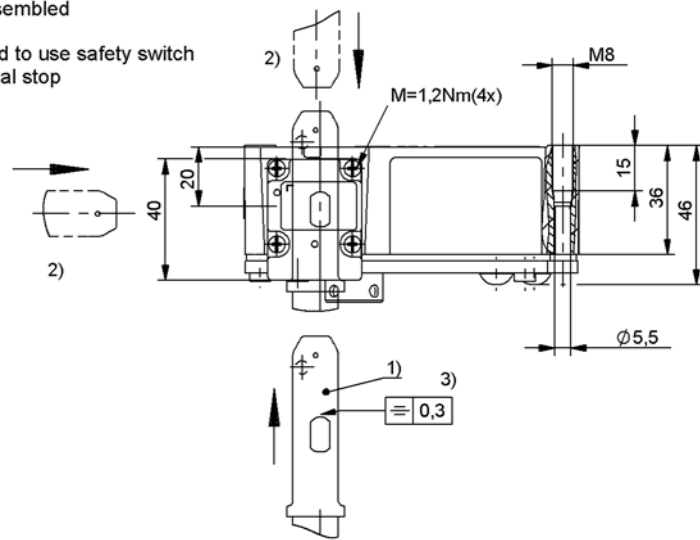
**Illustration:**

TZ.L... actuating head on left.  
(actuating head on right is mirror image)



- 1) Please order actuator separately
- 2) The actuator head can be turned to the desired approach direction after undoing the fixing screws.
- 3) For mounting on the machine the safety switch and the actuator have to be assembled

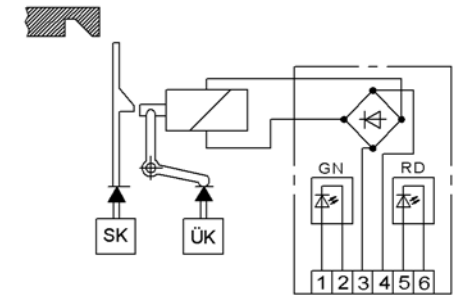
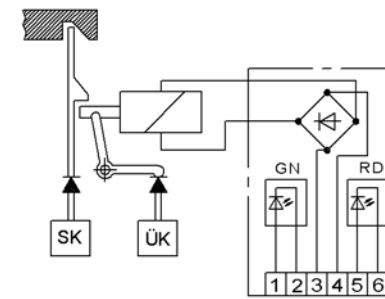
It is not allowed to use safety switch as a mechanical stop



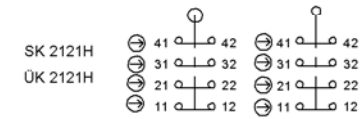
Actuator:  
Switching position:

inserted locked 1)

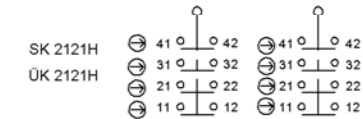
removed opened 3)



- a Pre-travel:  
The actuator is in the guide, but does not initiate switching operation.
- b Switching operation complete:  
The actuator must be inserted up to this point to ensure reliable switching. The actuator must be withdrawn at least to point a) for switching off.



TZ1: Unlocking by applying voltage  
TZ2: Locking by applying voltage



ÜK = control circuit  
SK = safety circuit

099114	TZ2RB024BHA-C1903	24V
099113	TZ2LB024BHA-C1903	24V
Id-No.	Typ	solenoid voltages

Technical Data Please observe the operating instructions (in case of disagreement between data sheet and operating instructions, the information of the data sheet are to be considered)

Parameter	Value	Unit
Housing material	Anodized die-cast alloy	
Environmental protection to IEC 60529	IP65	
Mechanical operations	1 x 10 <sup>6</sup>	
Ambient temperature	-25 to +80	°C
Mounting position	optional	
Approach speed max.	20	m/min
Operating-, Extraction-, Retainig force	35 / 30 / 10	N
Retaining force max.	2000	N
Retaining force according to test principle GS-ET-19	1500	N

**SWITCH ELEMENT**

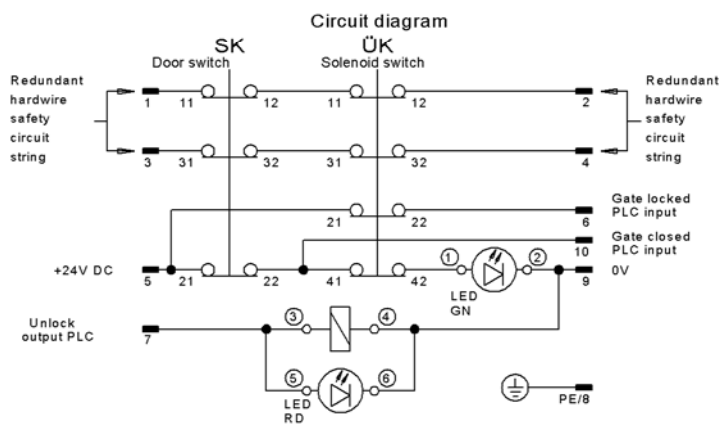
Type	SK2121H, UK2121H	
Switching principle	Slow action	
Contact material	Silver alloy, gold-flashed	
Terminal		
Plug connector (No. of contacts)	BHA10 (10-pin)	
Rated insulation voltage $U_i$	250	V
Rated impulse withstand voltage $U_{imp}$	1,5	kV
Utilization category to IEC / EN 60 947-5-1	AC-15 Ie 4A Ue 230V DC-13 Ie 4A Ue 24V	
Switching voltage min. at 10mA	12	V
Switching current min. at 24V	1	mA
Short-circuit protection (control fuse)	4A gG	

**SOLENOID**

Operating voltage, see type	24	V $\approx$
ON time	100	%
Connected load	7	W

**Status LEDs**

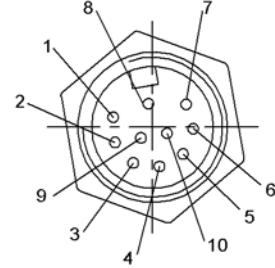
The operating voltage of the LEDs correspond to the supply voltage of the solenoid.



green LED = Gate closed and locked  
red LED = power on solenoid  
Terminal 1 to 6 of PCB terminal strip are shown by O

Pin assignment

Z 1:1



Built in receptacle:  
MIN-10MR-1-18-...  
Mencom Corporation  
www.mencomcorp.com

Orientation of plug connector is not defined