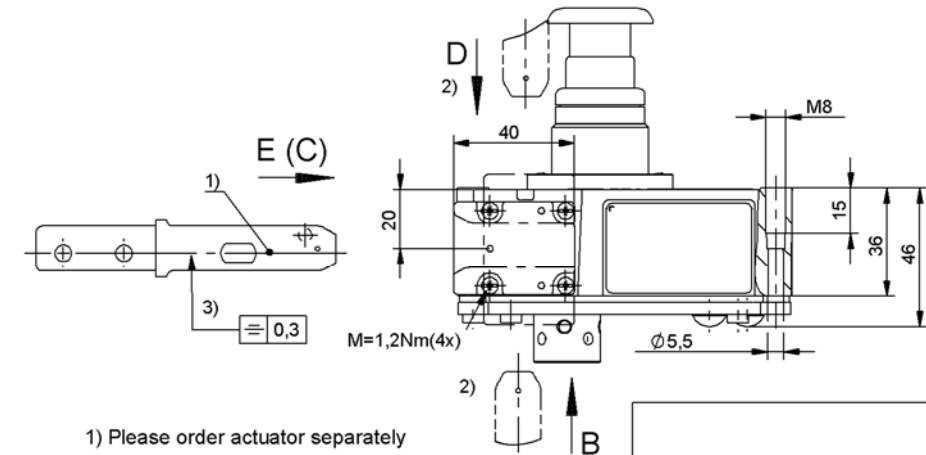
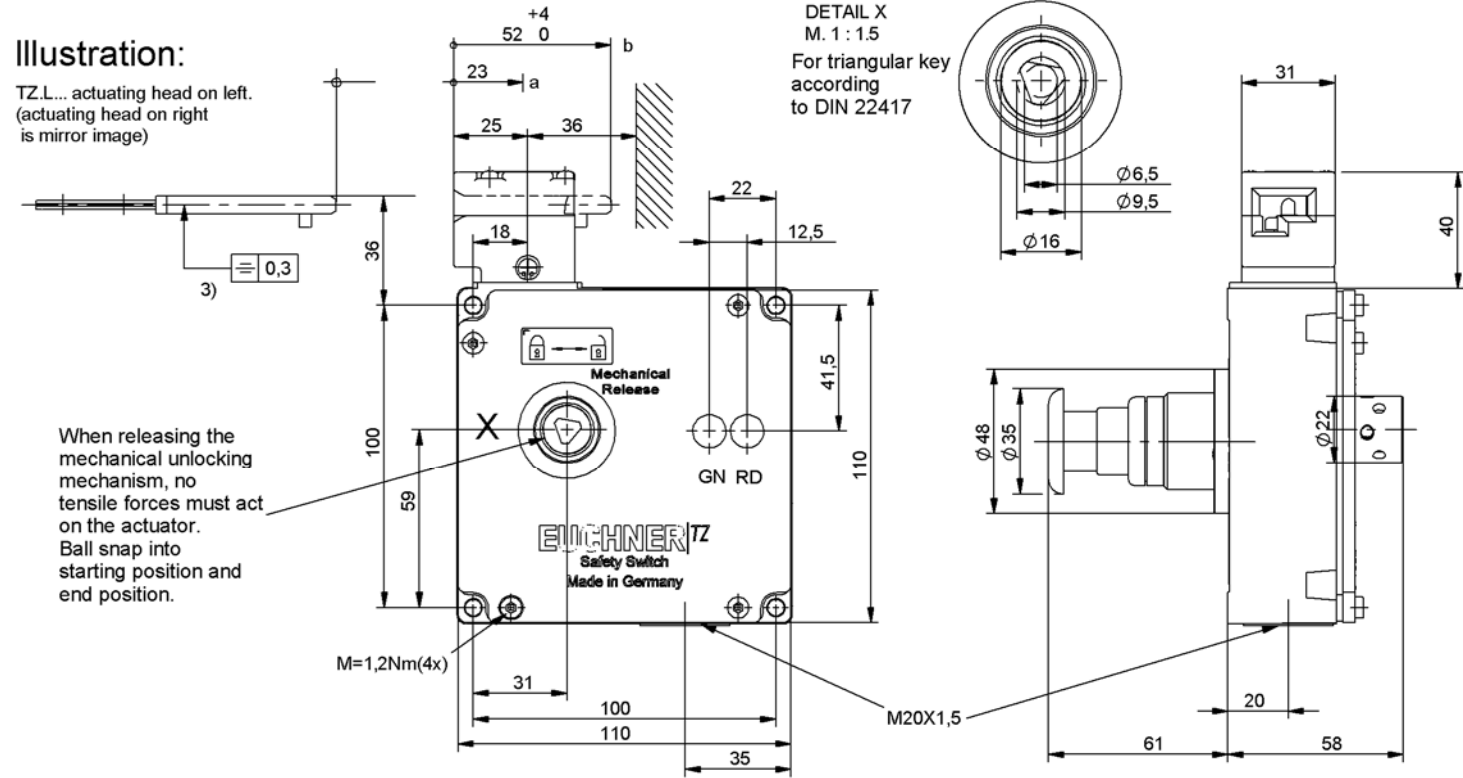


**Illustration:**  
TZ.L... actuating head on left.  
(actuating head on right is mirror image)

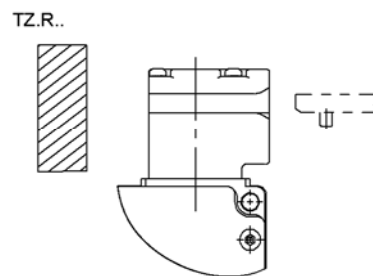


1) Please order actuator separately

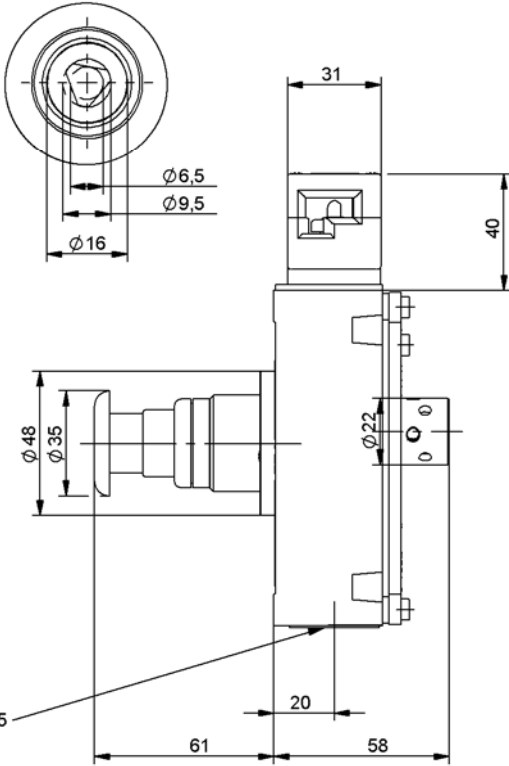
2) The actuator head can be turned to the desired approach direction after undoing the fixing screws.

3) For mounting on the machine the safety switch and the actuator have to be assembled

It is not allowed to use safety switch as a mechanical stop

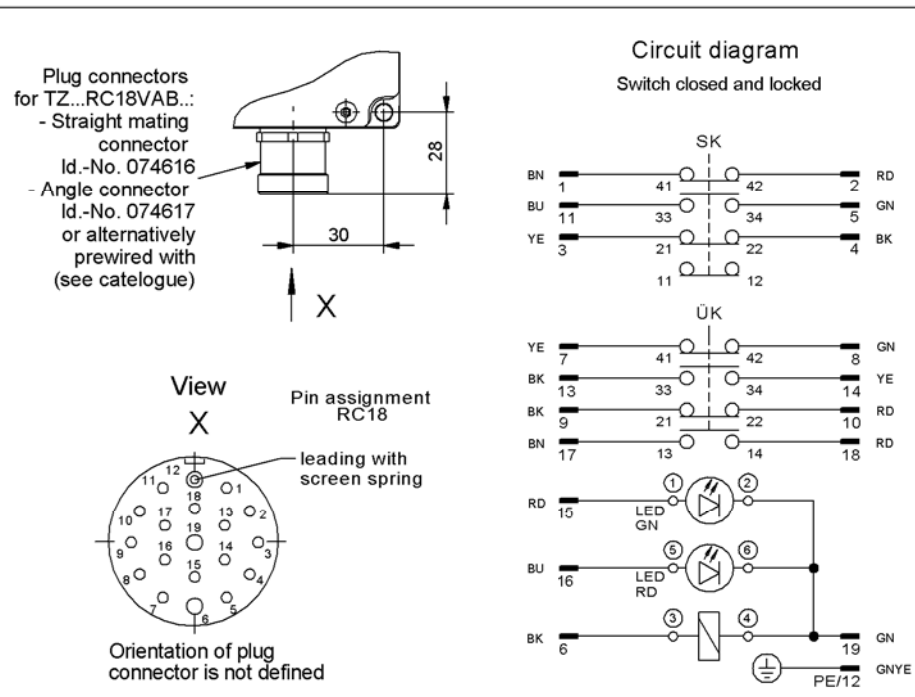


DETAIL X  
M. 1 : 1,5  
For triangular key according to DIN 22417

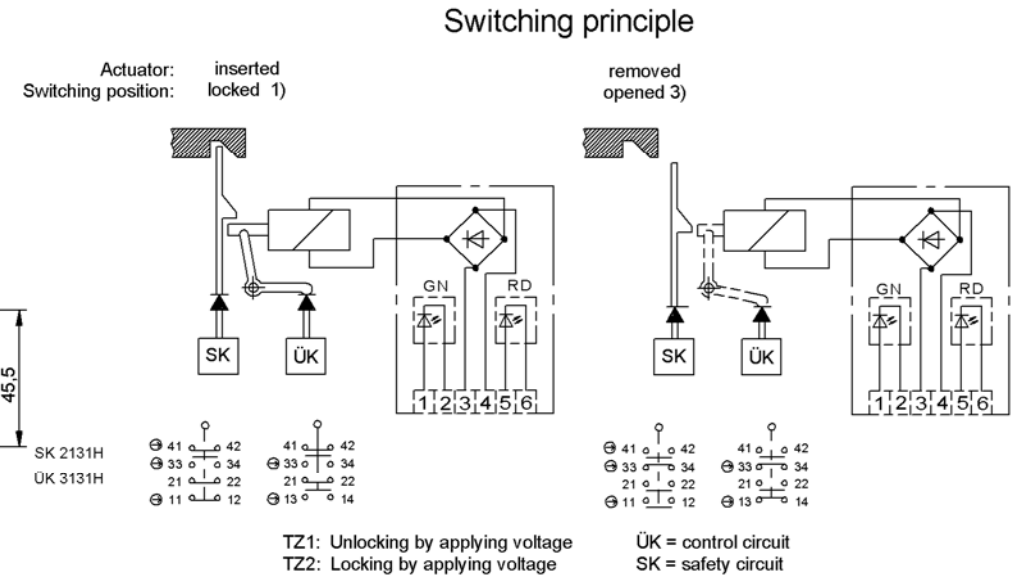
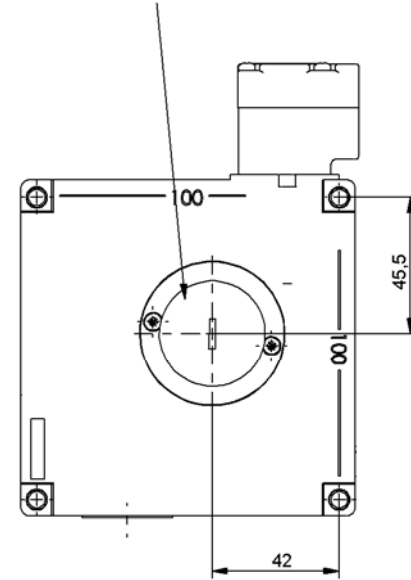


a Pre-travel:  
The actuator is in the guide, but does not initiate switching operation.

b Switching operation complete:  
The actuator must be inserted up to this point to ensure reliable switching. The actuator must be withdrawn at least to point a) for switching off.



Escape release  
The door may not be under tractive force when activating the escape release.



116830	TZ1RE024MVAB-C2173	24V
116829	TZ1LE024MVAB-C2173	24V
099537	TZ1RE024RC18VAB-C2173	24V
099538	TZ1LE024RC18VAB-C2173	24V
ID-No.	Type	Operating voltage

Technical Data Please observe the operating instructions (in case of disagreement between data sheet and operating instructions, the information of the data sheet are to be considered)

Parameter	M	RC18	Einheit
Housing material	Anodized die-cast alloy		
Environmental protection to IEC 60529	IP67	IP65	
Mechanical operations	1 x 10 <sup>6</sup>		
Ambient temperature	-25 bis +80		°C
Mounting position	optional		
Approach speed max.	20		m/min
Actuating-, Extraction-, Retaining force (20°)	35 / 30 / 10		N
Locking force max.	2000		N
Locking force according to test principle GS-ET-19 (Fzh = Fmax/1,3)	1500		N

SWITCH ELEMENT	M	RC18
Switching principle	Slow action	
Type	SK2131H	3 NC + 1 NO
	ÜK3131H	2 NC + 2 NO
Contact material	Silver alloy, gold-flashed	
Terminals	RC18 (18-pin +PE)	
Plug connector (No. of contacts)	RC18 (18-pin +PE)	
Cable entry	M20x 1,5	
Cable cross section	0,34 -1,5	mm <sup>2</sup>
Rated insulation voltage Ui	250	110 V
Rated impulse withstand voltage Uimp	2,5	1,5 kV
Utilization category to IEC / EN 60 947-5-1	x	
AC-15 le 4A Ue 230V / DC-13 le 4A Ue 24V	x	
AC-15 le 4A Ue 110V / DC-13 le 4A Ue 24V	x	
Switching voltage min. at 10mA	12 V	
Switching current min. at 24V	1 mA	
Short-circuit protection according to IEC 60269-1	4A gG	

SOLENOID TZ..M..	AC/DC 24	AC/DC 48	AC 110	AC 230	V
Operating voltage, see type					
ON time	100	100	100	100	%
Connected load	7	7	7	7	W
SOLENOID TZ..RC18..	AC/DC 24				V
Operating voltage, see type					
ON time	100				%
Connected load	7				W

Status LEDs The operating voltage of the LEDs correspond to the supply voltage of the solenoid.