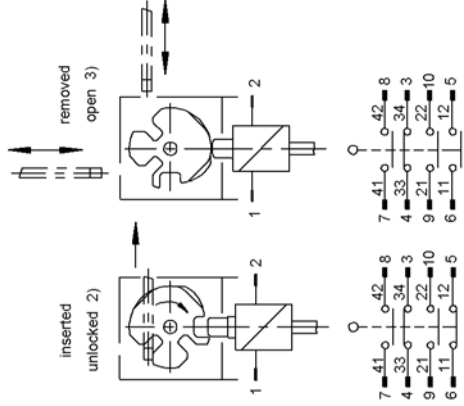


Minimum Travel - overtravel	
Approach direction	Standard actuator
horizontal (h)	28,5 +5
vertical (v)	28,5 +5

The safety switch and actuator must be assembled for installation purposes.
The safety switch must not be used as an end stop.

Switching principle and pin assignment



Type	Contact element
STP3A-2131.. 3NC 4/ + INO	

4) 2 direct opening NC + 1 delayed NC as door contact

Control cable: Fa. Huber + Suhner / Radox GKWLW/S
Part. No. 12556773
Wires are numbered: 10 x 0,75mm²



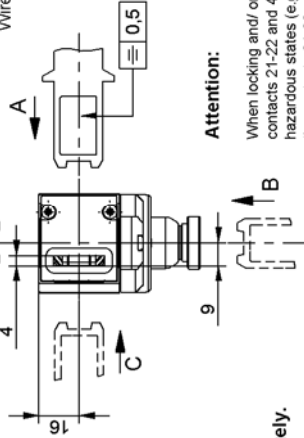
Connection solenoid
Wire 1: Operating voltage +
Wire 2: 0V
Please take care for correct polarity!

099036	350	A
100739	700	B
Part. No.	L (Length / mm)	Approach direction

Approach direction

The actuator head can be turned to be desired approach direction after undoing the fixing screws.

Please order actuator separately.



Attention:

When locking and/ or unlocking the guard locking, only the contacts 21-22 and 41-42 are actuated. For applications with hazardous states (e.g. overtravelling movements), the contacts 21-22 and/ or 41-42 always have to be integrated in the safety circuit.

Setup:
Close the safety guard. Unlock the guard locking and keep the safety guard closed. The machine must not be induced/ initiated for start.

Technical Data

Please observe the operating instructions (in case of disagreement between data sheet and operating instructions, the information of the data sheet are to be considered)

Parameters	Value	Unit
Housing material	Reinforced thermoplastic	
Degree of protection according to IEC 60529	IP 67	
Installation position	any	
Mechanical service life	1 x 10 ⁶	Switching cycles
Ambient temperature	-40 ... +70	°C
Approach speed max.	20	m/min
Actuating- / extraction- / retention force	35 / 30 / 20	N
Locking force, F max.	2500	N
Locking force F _{Zh} (incl. safety margin acc. to GS-ET-19)	2000	N
Locking methods	S TP3: Mechanically locked 1), unlocking by applying voltage up to position unlocked 2)	
Actuator inserted:		
Solenoid operating voltage	DC 24	
Duty cycle	100	%
Connected load	e. g. 8,5	W
Switching principle	Slowaction contact element	
Contact material	Silver alloy, gold flashed	
Type of connection	Screw terminal	
Conductor cross-section	0,34 ... 1,5	mm ²
Rated insulation voltage U _i	250	V
Rated impulse withstand voltage U _{imp}	2,5	kV
Utilization category according to EN 60947-5-1	AC-15 4A 230V DC-13 4A 24V	
Switching voltage min. 10mA	12	V
Switching current min. at 24V	1	mA
Conventional thermal current I _{th}	4	A
Short circuit protection (control circuit fuse)	4AgG	