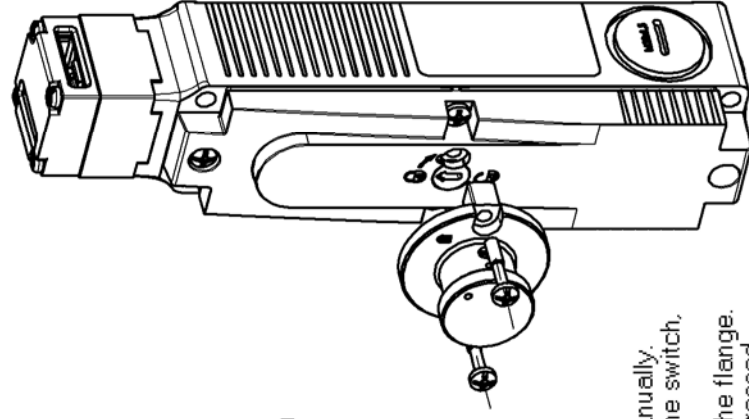


Mounting- and functional instruction

1. Remove the 2 middle screws at the cover of the switch
2. Remove the safety screw at the mechanical release
3. Put the emergency unlocking, as illustrated, on the switch cover.
 - the blade enters the slit of the mechanical release (normal position)
 During mounting, please make sure that the escape release is not blocked by the detent bolt but by the ball detent.
4. Screw together the emergency release, the cover and the housing using the added screws (3,5x18) (M = 0.5 Nm)
5. The marking indicates the switching position of the switch.



Functioning:
 With the emergency unlocking, the safety switch can be unlocked manually. In the locked position, a ball detent prevents unintended opening of the switch, which could e.g. happen due to vibrations or the like...
 In the unlocked position, an integrated bolt engages into the bore of the flange. For re-positioning the emergency unlocking, the bolt first has to be pressed inwards away from the detent using a tool.
 Furthermore, it is also possible to seal the emergency unlocking with leads.

Check the functioning before the set-up of the machine!

