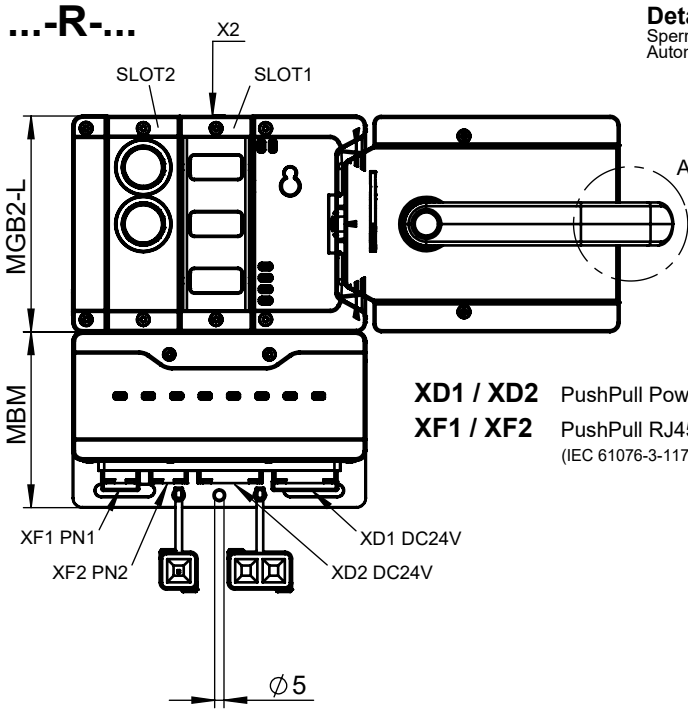


Maße in mm / Dimensions in mm

© EUCHNER GmbH + Co. KG Technische Änderungen vorbehalten, alle Angaben ohne Gewähr / Subject to technical modifications; no responsibility is accepted for the accuracy of this information.



Detail A
Sperreinsatz im ausgefahrenen Zustand
Automatic lockoutbar in "open" position.

XD1 / XD2 PushPull Power
XF1 / XF2 PushPull RJ45
(IEC 61076-3-117, variant 14)

- Inklusive:**
- 3 Einlegeschilder (silber, ohne Aufschrift)
- Etikettenhalter (AY-C-A1-156732)
Including:
- 3 Insertion plates (silver, without inscription)
- label holder (AY-C-A1-156732)

- AY-SET-LNS-0001-120344 (1x)
Blenden-Set für Taster inklusive:
Cover-Set for push-buttons including:
2x weiss / white
1x blau / blue
1x gelb / yellow
1x grün / green
1x rot / red

Betriebsanleitung beachten
(bei Abweichungen zwischen Datenblatt und Betriebsanleitung gelten die Daten des Datenblattes)
Please observe the operating instructions
(in case of disagreement between data sheet and operating instructions, the information of the data sheet are to be considered)

MGB2-L1HEB-PN-U-S3-DA-R-165372	136776	137610	137742	157024	156718	136691	156310	100465

Übersicht der Kommunikationsdaten:
Overview of the communication data:

Input

PROFINET	Bit 7	Bit 6	Bit 5	Bit 4	Bit 3	Bit 2	Bit 1	Bit 0
1st Byte	BM.E_G	-	BM.E_SYS	-	-	BM.E_ML2	BM.E_ML1	BM.D_RUN
2nd Byte	Diagnose Byte (pluggable)							

PROFINET	Bit 7	Bit 6	Bit 5	Bit 4	Bit 3	Bit 2	Bit 1	Bit 0
1st Byte	LM.E_G	LM.E_ER	LM.E_SM1	LM.E_SM0	-	LM.I_UK	LM.I_SK	LM.D_RUN
2nd Byte	-	-	-	-	-	LM.I_OL	LM.I_OT	LM.I_OD
3rd Byte	Diagnose Byte (pluggable)							

PROFINET	Bit 7	Bit 6	Bit 5	Bit 4	Bit 3	Bit 2	Bit 1	Bit 0
1st Byte	-	-	-	-	-	-	SM.I_S2	SM.I_S1
2nd Byte	Diagnose Byte (pluggable)							

PROFIsafe	Bit 7	Bit 6	Bit 5	Bit 4	Bit 3	Bit 2	Bit 1	Bit 0
	-	-	-	-	-	-	LM.FI_UK	LM.FI_SK

Output

PROFINET	Bit 7	Bit 6	Bit 5	Bit 4	Bit 3	Bit 2	Bit 1	Bit 0
1st Byte	BM.ACK_G	-	-	-	-	-	-	-

PROFINET	Bit 7	Bit 6	Bit 5	Bit 4	Bit 3	Bit 2	Bit 1	Bit 0
1st Byte	LM.ACK_G	LM.ACK_ER	-	-	-	-	-	LM.O_CL

PROFINET	Bit 7	Bit 6	Bit 5	Bit 4	Bit 3	Bit 2	Bit 1	Bit 0
1st Byte	-	-	-	SM.O_H2_B	SM.O_H1_B	-	SM.O_H2	SM.O_H1

PROFIsafe	Bit 7	Bit 6	Bit 5	Bit 4	Bit 3	Bit 2	Bit 1	Bit 0
	-	-	-	-	-	-	-	LM.FO_CL