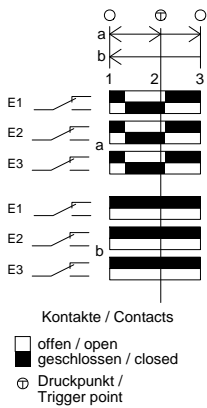


Technische Änderungen vorbehalten, alle Angaben ohne Gewähr / Subject to technical modifications; no responsibility is accepted for the accuracy of this information. © EUCHNER GmbH + Co. KG
 Maße in mm / Dimensions in mm



S1
 Taste Reset "C"
 push button Reset "C"



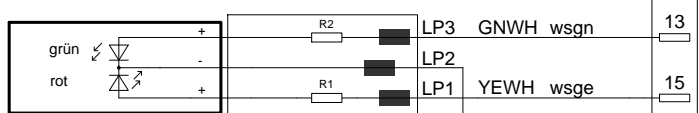
S2
 Taste Tippen "-"
 push button jogging "-"



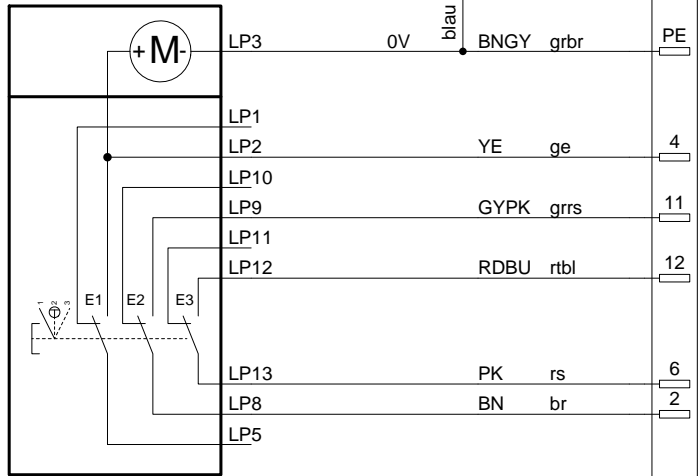
S3
 Taste Tippen "+"
 push button jogging "+"



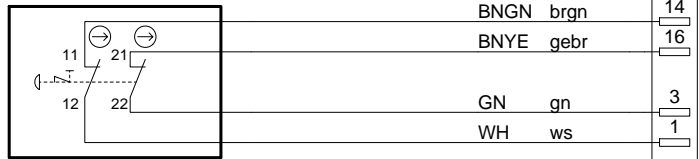
P1
 LED rot/grün
 LED red/green



S4
 Zustimmtaster
 enabling push button



S5
 Maschinen Stopp
 grau/gelb
 machine stop
 grey/yellow



Adern / wires: 18x 0,25mm²

Steckverbinder / connector:
 Harting 18 pin, HAN Q