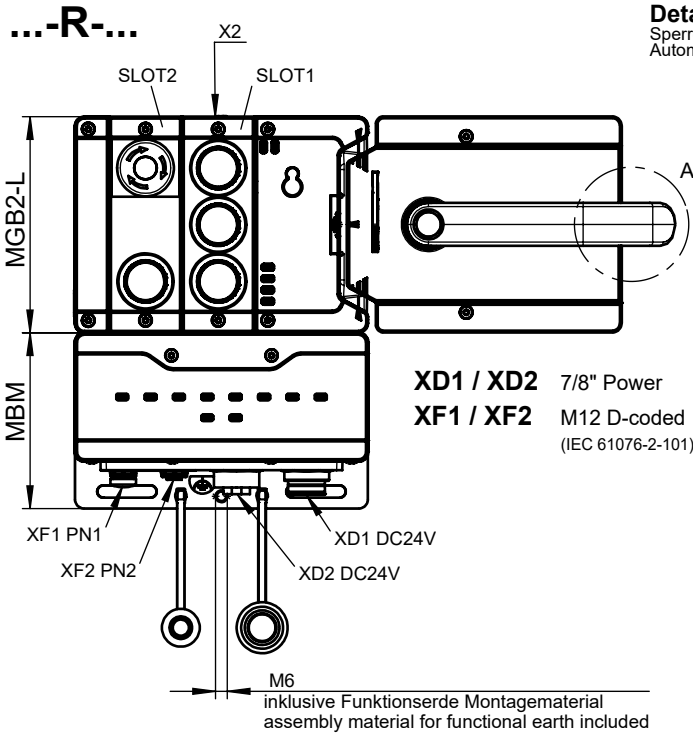
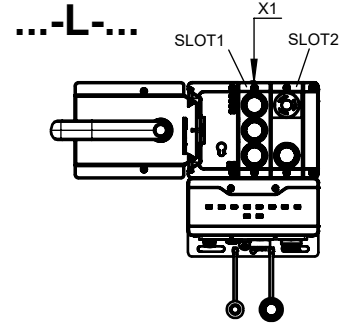


Maße in mm / Dimensions in mm

© EUCHNER GmbH + Co. KG Technische Änderungen vorbehalten, alle Angaben ohne Gewähr / Subject to technical modifications; no responsibility is accepted for the accuracy of this information.



**Detail A**  
Sperreinsatz im ausgefahrenen Zustand  
Automatic lockoutbar in "open" position.



**XD1 / XD2** 7/8" Power  
**XF1 / XF2** M12 D-coded  
(IEC 61076-2-101)

**Inklusive:**  
- Erdungsschraube M6x8  
(AC-FE-GS-M6X8-170020)  
**Including:**  
- Grounding screw M6x8  
(AC-FE-GS-M6X8-170020)

AY-SET-LNS-0001-163284 (1x)  
**Blenden-Set** für Taster inklusive:  
**Cover-Set** for push-buttons including:  
3x weiss / white  
1x blau / blue  
1x gelb / yellow  
1x grün / green  
1x rot / red

**Betriebsanleitung beachten**  
(bei Abweichungen zwischen Datenblatt und Betriebsanleitung gelten die Daten des Datenblattes)  
**Please observe the operating instructions**  
(in case of disagreement between data sheet and operating instructions, the information of the data sheet are to be considered)

	MGB2-L...	MSM... (SLOT1)	MSM... (SLOT2)	AC-IC... (X1)	AC-IC... (X2)	MGB2-H...	MBM...	MGB-E...
MGB2-L1HEB-PN-U-S4-DA-R-174311	136776	127040	137738	157024	156718	136691	169765	100465
MGB2-L1HEB-PN-U-S4-DA-L-174312	136776	127040	137738	156718	157024	156394	169765	100465
MGB2-L2HEB-PN-U-S4-DA-R-174597	156392	127040	137738	157024	156718	136691	169765	100465
MGB2-L2HEB-PN-U-S4-DA-L-174598	156392	127040	137738	156718	157024	156394	169765	100465

**Übersicht der Kommunikationsdaten:**  
**Overview of the communication data:**

**Input**

Ethernet <sup>1)</sup> standard	Bit 7	Bit 6	Bit 5	Bit 4	Bit 3	Bit 2	Bit 1	Bit 0
1st Byte	BM_E_G	-	BM_E_SYS	-	-	BM_E_ML2	BM_E_ML1	BM_D_RUN
2nd Byte	Diagnose Byte (pluggable)							
Ethernet <sup>1)</sup> standard	Bit 7	Bit 6	Bit 5	Bit 4	Bit 3	Bit 2	Bit 1	Bit 0
1st Byte	LM1_E_G	LM1_E_ER	LM1_E_SM1	LM1_E_SM0	-	LM1_I_UK	LM1_I_SK	LM1_D_RUN
2nd Byte	-	-	-	-	-	LM1_I_OL	LM1_I_OT	LM1_I_OD
3rd Byte	Diagnose Byte (pluggable)							
Ethernet <sup>1)</sup> standard	Bit 7	Bit 6	Bit 5	Bit 4	Bit 3	Bit 2	Bit 1	Bit 0
1st Byte	-	-	-	-	-	SM1_I_S3	SM1_I_S2	SM1_I_S1
2nd Byte	Diagnose Byte (pluggable)							
Ethernet <sup>1)</sup> standard	Bit 7	Bit 6	Bit 5	Bit 4	Bit 3	Bit 2	Bit 1	Bit 0
1st Byte	-	-	SM2_E_S1	-	-	SM2_I_S3	-	SM2_I_S1
2nd Byte	Diagnose Byte (pluggable)							
Ethernet <sup>1)</sup> SAFE	Bit 7	Bit 6	Bit 5	Bit 4	Bit 3	Bit 2	Bit 1	Bit 0
!	-	-	-	-	-	SM2_FL_ES	LM1_FL_UK	LM1_FL_SK

**Output**

Ethernet <sup>1)</sup> standard	Bit 7	Bit 6	Bit 5	Bit 4	Bit 3	Bit 2	Bit 1	Bit 0
1st Byte	BM_ACK_G	-	-	-	-	-	-	-
Ethernet <sup>1)</sup> standard	Bit 7	Bit 6	Bit 5	Bit 4	Bit 3	Bit 2	Bit 1	Bit 0
1st Byte	LM1_ACK_G	LM1_ACK_ER	-	-	-	-	-	LM1_O_CL
Ethernet <sup>1)</sup> standard	Bit 7	Bit 6	Bit 5	Bit 4	Bit 3	Bit 2	Bit 1	Bit 0
1st Byte	-	-	SM1_O_H3_B	SM1_O_H2_B	SM1_O_H1_B	SM1_O_H3	SM1_O_H2	SM1_O_H1
Ethernet <sup>1)</sup> standard	Bit 7	Bit 6	Bit 5	Bit 4	Bit 3	Bit 2	Bit 1	Bit 0
1st Byte	-	-	SM2_O_H3_B	-	SM2_O_H1_B	SM2_O_H3	-	SM2_O_H1
Ethernet <sup>1)</sup> SAFE	Bit 7	Bit 6	Bit 5	Bit 4	Bit 3	Bit 2	Bit 1	Bit 0
!	-	-	-	-	-	-	-	LM1_FO_CL

<sup>1)</sup> Ethernet Protokoll in Abhängigkeit des verwendeten MBM Busmodul / Ethernet protocol according to the used MBM Busmodul