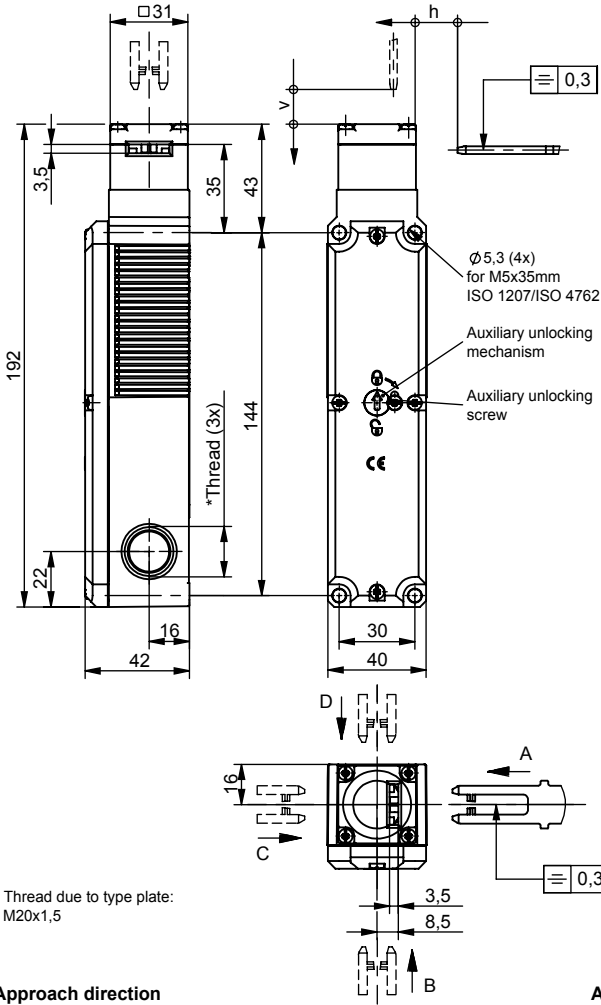
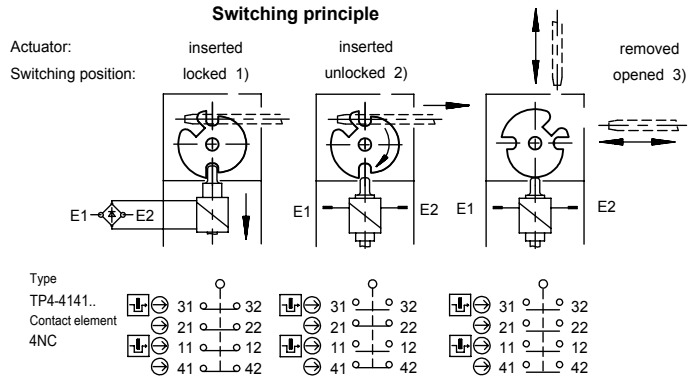


Maße in mm / Dimensions in mm  
 © EUCHNER GmbH + Co. KG  
 Technische Änderungen vorbehalten, alle Angaben ohne Gewähr / Subject to technical modifications; no responsibility is accepted for the accuracy of this information.



Minimum travel + overtravel		
Approach direction	Actuator standard	Actuator overtravel
horizontal (h)	28 +2	28 +7
vertical (v)	29,5 +1,5	---

The safety switch and actuator must be assembled for installation purposes.  
 The safety switch must not be used as an end stop!



094844	TP4-4141A024MC2074	A
ID-No.	Description	Approach direction

**Approach direction**

The actuator head can be turned to the desired approach direction after undoing the fixing screws.

**Please order actuator separately.**

**Attention:**

When locking and/ or unlocking the guard locking, only the contacts 11-12 and 31-32 are actuated. For applications with hazardous states (e.g. overtraveling movements), the contacts 11-12 and/ or 31-32 always have to be integrated in the safety circuit.

**Setup:**

Close the safety guard. Unlock the guard locking and keep the safety guard closed. The machine must not be induced / initiated for start.

**Technical Data** Please observe the operating instructions (in case of disagreement between data sheet and operating instructions, the information of the data sheet are to be considered)

Parameters	Value	Unit
Housing material	Reinforced thermoplastics (fibreglass)	
Degree of protection according to IEC 60529	IP 67	
Installation position	any	
Mechanical service life	1 x 10 <sup>6</sup>	Switching cycles
Ambient temperature	-20 ... +55	°C
Approach speed max.	20	m/min
Actuating- / extraction- / retention force	10 / 20 / 10	N
Locking force, F max.	1300	N
Locking force Fzh incl. safety margin acc. to GS-ET-19	1000	N
Actuation frequency	1200	1/h
Locking methods	TP4: Locking by applying voltage 1). Unlocking without voltage 2). Open if actuator is removed 3).	
Actuator inserted:		
Weight	approx. 0,5	kg
Solenoid operating voltage ±10%	DC 24	V
Duty cycle	100	%
Connected load	4,8	W
Switching principle	Dependent action contact element	
Contact material	Silver alloy, gold flashed	
Type of connection	Screw terminal	
Conductor cross-section rigid/flexible	1,5	mm <sup>2</sup>
Rated insulation voltage Ui	250	V
Rated impulse withstand voltage Uimp	2,5	kV
Utilization category according to EN 60947-5-1	AC-15 4A 230V DC-13 4A 24V	
Switching voltage min. 10mA	12	V
Switching current min. at 24V	1	mA
Conventional thermal current Ith	4	A
Short circuit protection (control circuit fuse)	4	A gG