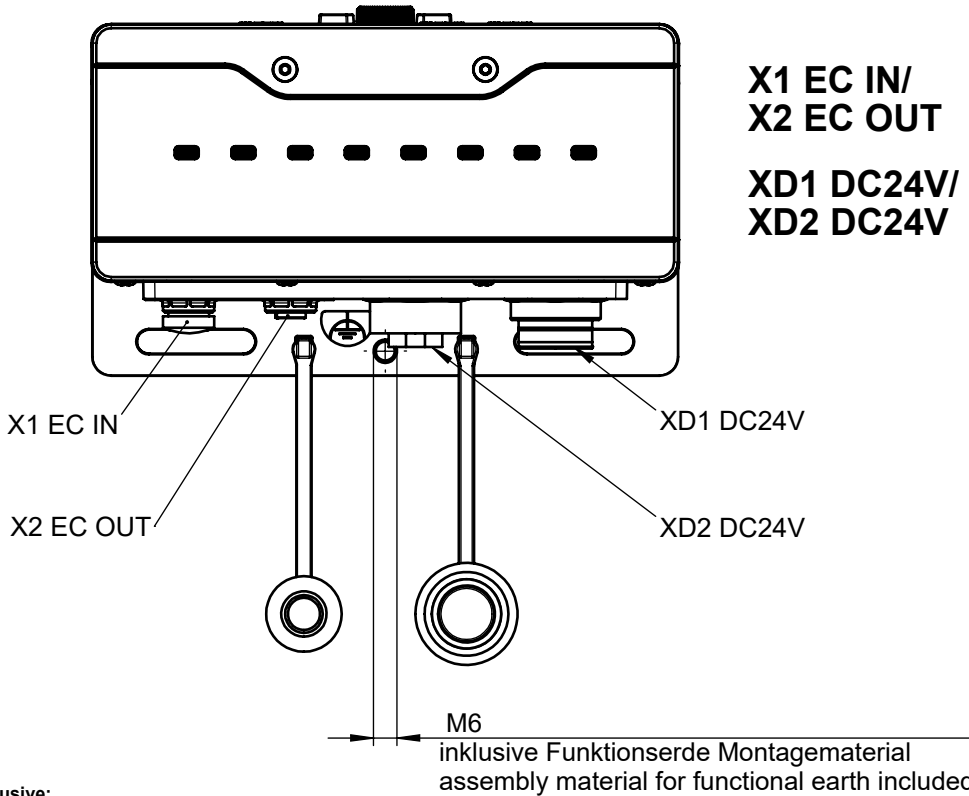


Technische Änderungen vorbehalten, alle Angaben ohne Gewähr / Subject to technical modifications; no responsibility is accepted for the accuracy of this information. © EUCHNER GmbH + Co. KG Maße in mm / Dimensions in mm



**X1 EC IN/
X2 EC OUT** M12 D-coded
(IEC 61076-2-101)

**XD1 DC24V/
XD2 DC24V** 7/8" Power

- Inklusive:**
- Erdungsschraube M6x8
(AC-FE-GS-M6X8-170020)
- Including:**
- Grounding screw M6x8
(AC-FE-GS-M6X8-170020)

Betriebsanleitung beachten
(bei Abweichungen zwischen Datenblatt und Betriebsanleitung gelten die Daten des Datenblattes)
Please observe the operating instructions
(in case of disagreement between data sheet and operating instructions, the information of the data sheet are to be considered)

Bezeichnung Designation	Beschreibung	Description
BM	Busmodul	Bus module
E_G	Fehler generell	General error
E_SYS	Fehler System	System error
E_ML1	Fehler MLI1	Error MLI1
E_ML2	Fehler MLI2	Error MLI2
D_RUN	Diagnose Runmode	Diagnostics run mode
ACK_G	Fehlerquittierung generell	General error acknowledgement

Input

ETHERCAT	Bit 7	Bit 6	Bit 5	Bit 4	Bit 3	Bit 2	Bit 1	Bit 0
1st Byte	BM_E_G	-	BM_E_SYS	-	-	BM_E_ML2	BM_E_ML1	BM_D_RUN
2nd Byte	Diagnose Byte (pluggable)							

Output

ETHERCAT	Bit 7	Bit 6	Bit 5	Bit 4	Bit 3	Bit 2	Bit 1	Bit 0
1st Byte	BM_ACK_G	-	-	-	-	-	-	-