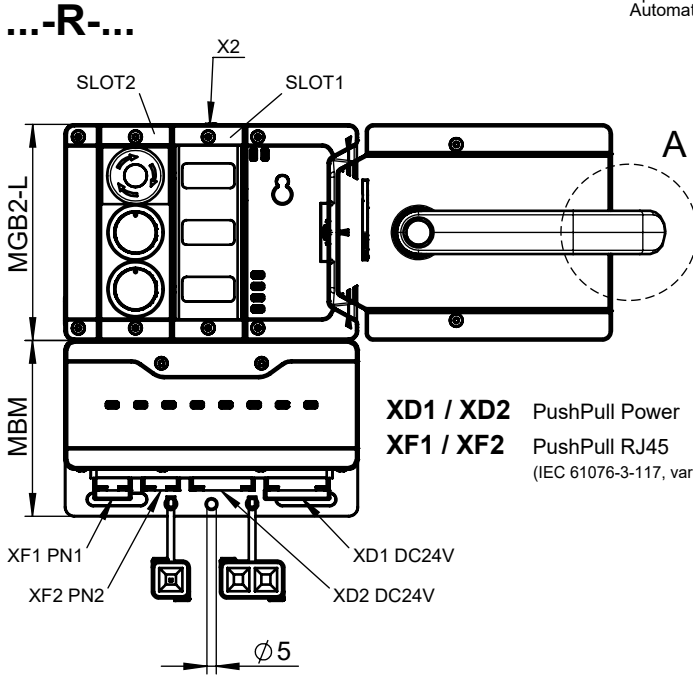
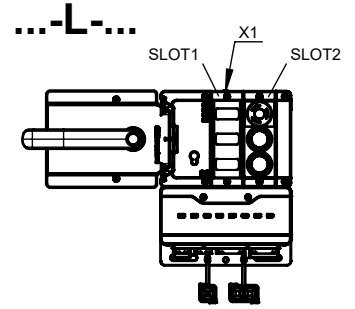


© EUCHNER GmbH + Co. KG. Technische Änderungen vorbehalten, alle Angaben ohne Gewähr / Subject to technical modifications; no responsibility is accepted for the accuracy of this information.



**Detail A**  
Sperreinsatz im ausgefahrenen Zustand  
Automatic lockoutbar in "open" position.



**Inklusive:**  
- 3 Einlegeschilder (silber, ohne Aufschrift)  
- Etikettenhalter (AY-C-A1-156732)

**Including:**  
- 3 Insertion plates (silver, without inscription)  
- label holder (AY-C-A1-156732)

AY-SET-LNS-0001-120344 (1x)  
**Blenden-Set** für Taster inklusive:  
**Cover-Set** for push-buttons including:

- 2x weiss / white
- 1x blau / blue
- 1x gelb / yellow
- 1x grün / green
- 1x rot / red

**Betriebsanleitung beachten**  
(bei Abweichungen zwischen Datenblatt und Betriebsanleitung gelten die Daten des Datenblattes)  
**Please observe the operating instructions**  
(in case of disagreement between data sheet and operating instructions, the information of the data sheet are to be considered)

|                               | MGB2-L... | MSM... (SLOT1) | MSM... (SLOT2) | AC-MC... (X1) | AC-MC... (X2) | MGB2-H... | MBM... |
|-------------------------------|-----------|----------------|----------------|---------------|---------------|-----------|--------|
| MGB2-L1HB-PN-U-S3-DA-R-156388 | 136776    | 137610         | 136687         | 157024        | 156718        | 136691    | 156310 |
| MGB2-L2HB-PN-U-S3-DA-R-156390 | 156392    | 137610         | 136687         | 157024        | 156718        | 136691    | 156310 |
| MGB2-L1HB-PN-U-S3-DA-L-156389 | 136776    | 137610         | 136687         | 156718        | 157024        | 156394    | 156310 |
| MGB2-L2HB-PN-U-S3-DA-L-156391 | 156392    | 137610         | 136687         | 156718        | 157024        | 156394    | 156310 |

**Übersicht der Kommunikationsdaten:**  
**Overview of the communication data:**

**Input**

| Ethernet <sup>(1)</sup> standard | Bit 7                     | Bit 6 | Bit 5    | Bit 4 | Bit 3 | Bit 2    | Bit 1    | Bit 0    |
|----------------------------------|---------------------------|-------|----------|-------|-------|----------|----------|----------|
| 1st Byte                         | BM_E_G                    | -     | BM_E_SYS | -     | -     | BM_E_ML2 | BM_E_ML1 | BM_D_RUN |
| 2nd Byte                         | Diagnose Byte (pluggable) |       |          |       |       |          |          |          |

| Ethernet <sup>(1)</sup> standard | Bit 7                     | Bit 6   | Bit 5    | Bit 4    | Bit 3 | Bit 2   | Bit 1   | Bit 0    |
|----------------------------------|---------------------------|---------|----------|----------|-------|---------|---------|----------|
| 1st Byte                         | LM_E_G                    | LM_E_ER | LM_E_SM1 | LM_E_SM0 | -     | LM_I_UK | LM_I_SK | LM_D_RUN |
| 2nd Byte                         | -                         | -       | -        | -        | -     | LM_I_OL | LM_I_OT | LM_I_OD  |
| 3rd Byte                         | Diagnose Byte (pluggable) |         |          |          |       |         |         |          |

| Ethernet <sup>(1)</sup> standard | Bit 7                     | Bit 6 | Bit 5   | Bit 4 | Bit 3 | Bit 2   | Bit 1   | Bit 0   |
|----------------------------------|---------------------------|-------|---------|-------|-------|---------|---------|---------|
| 1st Byte                         | -                         | -     | SM_E_S1 | -     | -     | SM_I_S3 | SM_I_S2 | SM_I_S1 |
| 2nd Byte                         | Diagnose Byte (pluggable) |       |         |       |       |         |         |         |

| Ethernet <sup>(1)</sup> SAFE | Bit 7 | Bit 6 | Bit 5 | Bit 4 | Bit 3 | Bit 2    | Bit 1    | Bit 0    |
|------------------------------|-------|-------|-------|-------|-------|----------|----------|----------|
| !                            | -     | -     | -     | -     | -     | SM_FI_ES | LM_FI_UK | LM_FI_SK |

**Output**

| Ethernet <sup>(1)</sup> standard | Bit 7    | Bit 6 | Bit 5 | Bit 4 | Bit 3 | Bit 2 | Bit 1 | Bit 0 |
|----------------------------------|----------|-------|-------|-------|-------|-------|-------|-------|
| 1st Byte                         | BM_ACK_G | -     | -     | -     | -     | -     | -     | -     |

| Ethernet <sup>(1)</sup> standard | Bit 7    | Bit 6     | Bit 5 | Bit 4 | Bit 3 | Bit 2 | Bit 1 | Bit 0   |
|----------------------------------|----------|-----------|-------|-------|-------|-------|-------|---------|
| 1st Byte                         | LM_ACK_G | LM_ACK_ER | -     | -     | -     | -     | -     | LM_O_CL |

| Ethernet <sup>(1)</sup> standard | Bit 7 | Bit 6 | Bit 5     | Bit 4     | Bit 3     | Bit 2   | Bit 1   | Bit 0   |
|----------------------------------|-------|-------|-----------|-----------|-----------|---------|---------|---------|
| 1st Byte                         | -     | -     | SM_O_H3_B | SM_O_H2_B | SM_O_H1_B | SM_O_H3 | SM_O_H2 | SM_O_H1 |

| Ethernet <sup>(1)</sup> SAFE | Bit 7 | Bit 6 | Bit 5 | Bit 4 | Bit 3 | Bit 2 | Bit 1 | Bit 0    |
|------------------------------|-------|-------|-------|-------|-------|-------|-------|----------|
| !                            | -     | -     | -     | -     | -     | -     | -     | LM_FO_CL |

<sup>1)</sup> Ethernet Protokoll in Abhängigkeit des verwendeten MBM Busmodul / Ethernet protocol according to the used MBM Busmodul