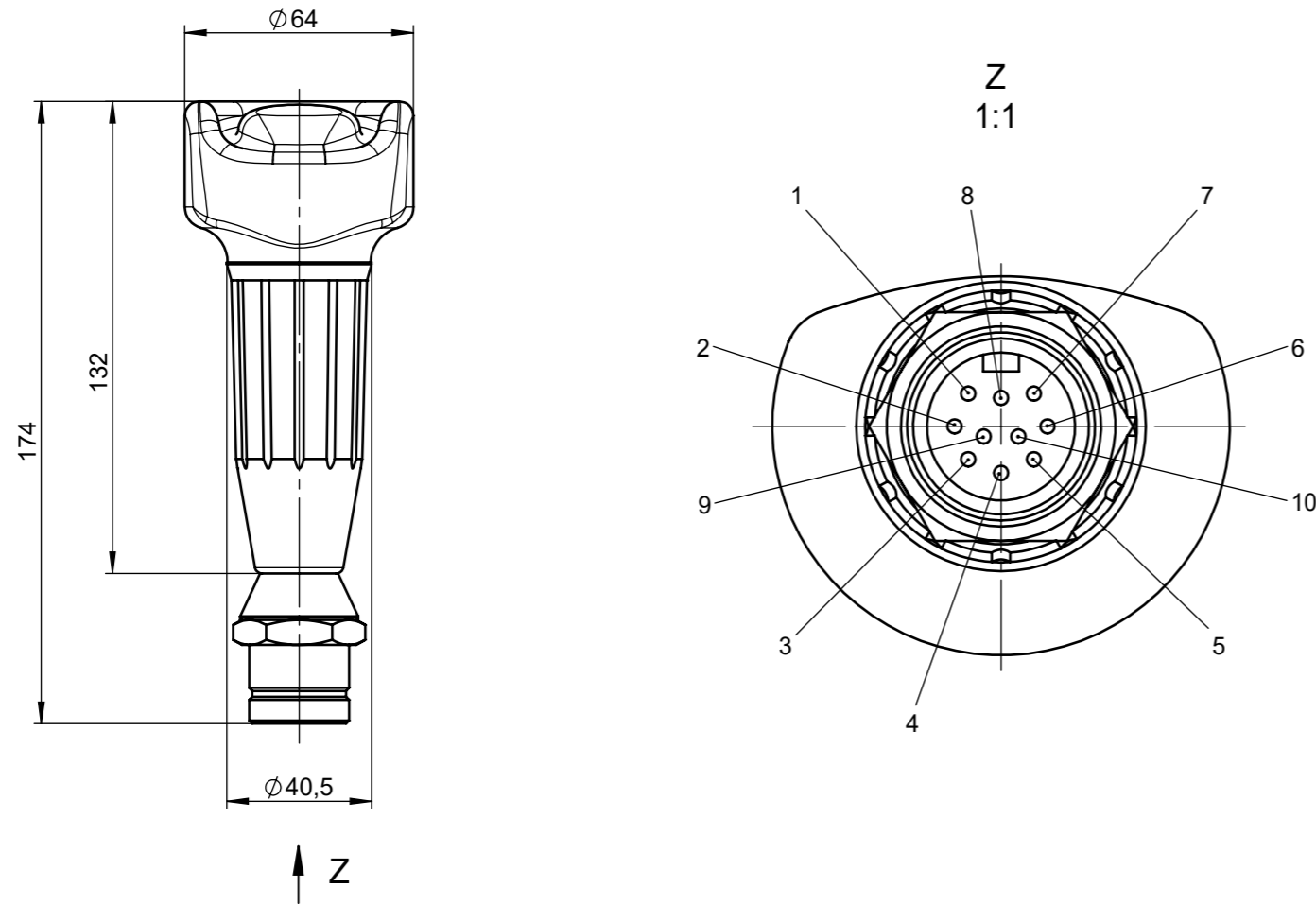
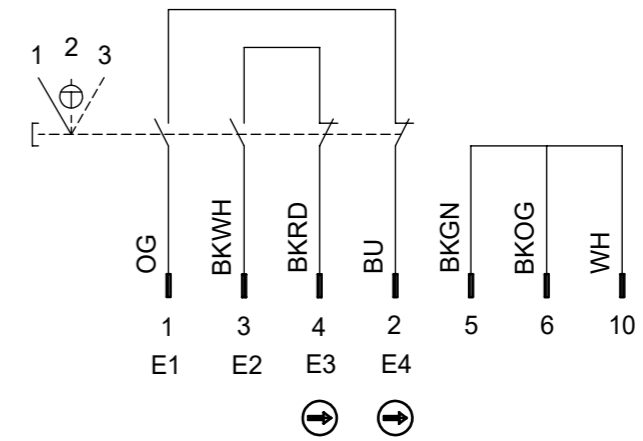


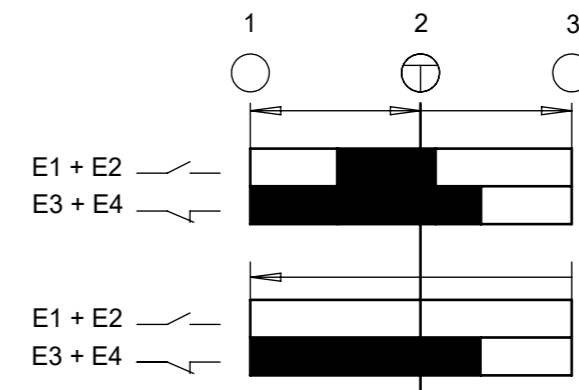
Technische Änderungen vorbehalten, alle Angaben ohne Gewähr / Subject to technical modifications; no responsibility is accepted for the accuracy of this information. © EUCHNER GmbH + Co. KG Maße in mm / Dimensions in mm



Wiring diagram:



Travel diagram



Contacts
 □ open
 ■ closed
 E = switching element
 ⊕ = Action point

Technical Data	
Type of connection	Plug connector 10-pin type Mencom U _i 32V
Rated impulse withstand voltage	U _{imp} = 0,8kV
Utilization category according to EN 60647-1-5	AC-15 2A 24V DC-13 2A 24V
Short-circuit protection	2A gG
Weight	approx. 0,5kg