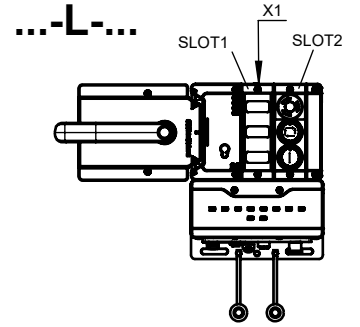
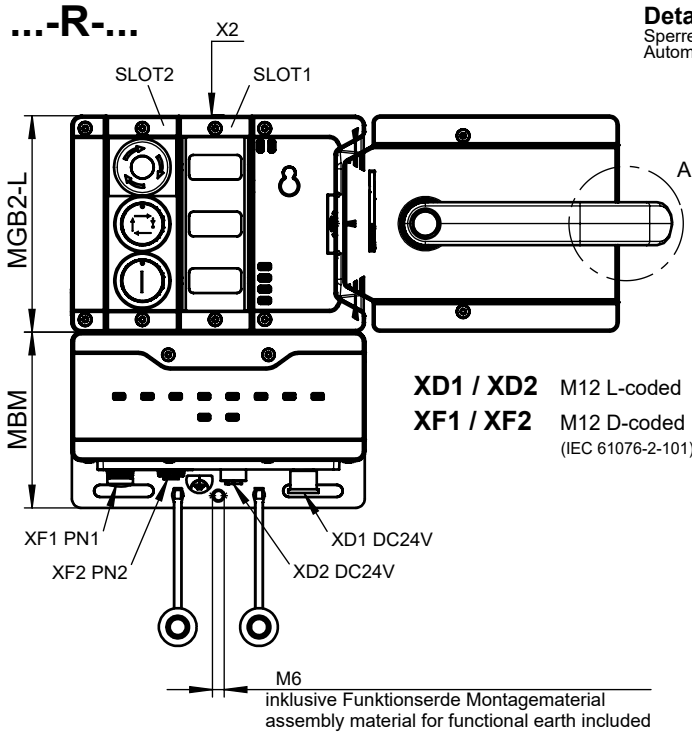


© EUCHNER GmbH + Co. KG

Maße in mm / Dimensions in mm



- Inklusive:**
- 3 Einlegeschilder (silber, ohne Aufschrift)
 - Etikettenhalter (AY-C-A1-156732)
 - Erdungsschraube M6x8 (AC-FE-GS-M6X8-170020)
- Including:**
- 3 Insertion plates (silver, without inscription)
 - label holder (AY-C-A1-156732)
 - Grounding screw M6x8 (AC-FE-GS-M6X8-170020)



| | MGB2-L... | MSM... (SLOT1) | MSM... (SLOT2) | AC-NC... (X1) | AC-NC... (X2) | MGB2-H... | MBM... |
|-------------------------------|-----------|----------------|----------------|---------------|---------------|-----------|--------|
| MGB2-L1HB-PN-U-S2-MA-R-173066 | 136776 | 137610 | 161589 | 157024 | 156718 | 136691 | 169766 |
| MGB2-L1HB-PN-U-S2-MA-L-173067 | 136776 | 137610 | 161589 | 156718 | 157024 | 156394 | 169766 |

Betriebsanleitung beachten
(bei Abweichungen zwischen Datenblatt und Betriebsanleitung gelten die Daten des Datenblattes)
Please observe the operating instructions
(in case of disagreement between data sheet and operating instructions, the information of the data sheet are to be considered)

Übersicht der Kommunikationsdaten:
Overview of the communication data:

Input

| Ethernet ¹⁾ standard | Bit 7 | Bit 6 | Bit 5 | Bit 4 | Bit 3 | Bit 2 | Bit 1 | Bit 0 |
|---------------------------------|---------------------------|-------|----------|-------|-------|----------|----------|----------|
| 1st Byte | BM_E_G | - | BM_E_SYS | - | - | BM_E_ML2 | BM_E_ML1 | BM_D_RUN |
| 2nd Byte | Diagnose Byte (pluggable) | | | | | | | |

| Ethernet ¹⁾ standard | Bit 7 | Bit 6 | Bit 5 | Bit 4 | Bit 3 | Bit 2 | Bit 1 | Bit 0 |
|---------------------------------|---------------------------|----------|-----------|-----------|-------|----------|----------|-----------|
| 1st Byte | LM1_E_G | LM1_E_ER | LM1_E_SM1 | LM1_E_SM0 | - | LM1_I_UK | LM1_I_SK | LM1_D_RUN |
| 2nd Byte | - | - | - | - | - | LM1_I_OL | LM1_I_OT | LM1_I_OD |
| 3rd Byte | Diagnose Byte (pluggable) | | | | | | | |

| Ethernet ¹⁾ standard | Bit 7 | Bit 6 | Bit 5 | Bit 4 | Bit 3 | Bit 2 | Bit 1 | Bit 0 |
|---------------------------------|---------------------------|-------|----------|-------|-------|----------|----------|----------|
| 1st Byte | - | - | SM2_E_S1 | - | - | SM2_I_S3 | SM2_I_S2 | SM2_I_S1 |
| 2nd Byte | Diagnose Byte (pluggable) | | | | | | | |

| Ethernet ¹⁾ SAFE | Bit 7 | Bit 6 | Bit 5 | Bit 4 | Bit 3 | Bit 2 | Bit 1 | Bit 0 |
|-----------------------------|-------|-------|-------|-------|-------|-----------|-----------|-----------|
| | - | - | - | - | - | SM2_FI_ES | LM1_FI_UK | LM1_FI_SK |

Output

| Ethernet ¹⁾ standard | Bit 7 | Bit 6 | Bit 5 | Bit 4 | Bit 3 | Bit 2 | Bit 1 | Bit 0 |
|---------------------------------|----------|-------|-------|-------|-------|-------|-------|-------|
| 1st Byte | BM_ACK_G | - | - | - | - | - | - | - |

| Ethernet ¹⁾ standard | Bit 7 | Bit 6 | Bit 5 | Bit 4 | Bit 3 | Bit 2 | Bit 1 | Bit 0 |
|---------------------------------|-----------|------------|-------|-------|-------|-------|-------|----------|
| 1st Byte | LM1_ACK_G | LM1_ACK_ER | - | - | - | - | - | LM1_O_CL |

| Ethernet ¹⁾ standard | Bit 7 | Bit 6 | Bit 5 | Bit 4 | Bit 3 | Bit 2 | Bit 1 | Bit 0 |
|---------------------------------|-------|-------|------------|------------|------------|----------|----------|----------|
| 1st Byte | - | - | SM2_O_H3_B | SM2_O_H2_B | SM2_O_H1_B | SM2_O_H3 | SM2_O_H2 | SM2_O_H1 |

| Ethernet ¹⁾ SAFE | Bit 7 | Bit 6 | Bit 5 | Bit 4 | Bit 3 | Bit 2 | Bit 1 | Bit 0 |
|-----------------------------|-------|-------|-------|-------|-------|-------|-------|-----------|
| | - | - | - | - | - | - | - | LM1_FO_CL |

¹⁾ Ethernet Protokoll in Abhängigkeit des verwendeten MBM Busmodul / Ethernet protocol according to the used MBM Busmodul