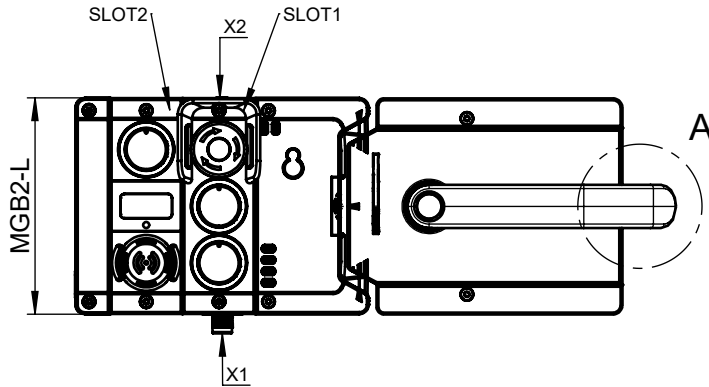


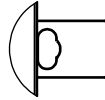
Maße in mm / Dimensions in mm  
© EUCHNER GmbH + Co. KG

...-R-...

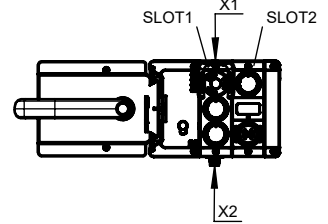


**Detail A**

Sperreinsatz im ausgefahrenen Zustand  
Automatic lockoutbar in "open" position.



...-L-...



**Inklusive:**

- Einlegeschild-Set 12,5x27mm (ohne Aufschrift)
- 1x rot
- 1x gelb
- 1x blau
- 1x schwarz

**Inklusive:**

- Schlüssel FlexFunction A-FLX-K-OA-...

**Including:**

- FlexFunction key A-FLX-K-OA-...

**Including:**

- Insertion plate-Set 12,5x27mm (without inscription)
- 1x red
- 1x yellow
- 1x blue
- 1x black



MGB2-H + OPTION:  
Bitte Datenblatt 2150276 beachten  
Please observe data sheet 2150276

**Betriebsanleitung beachten**

(bei Abweichungen zwischen Datenblatt und Betriebsanleitung gelten die Daten des Datenblattes)  
**Please observe the operating instructions**  
(in case of disagreement between data sheet and operating instructions, the information of the data sheet are to be considered)



MGB2-L1HE-MLI-U-CA-R-174494	136776	172953	172950	157024	156718	157369	100465
MGB2-L1HE-MLI-U-CA-L-174495	136776	172953	172950	156718	157024	157371	100465

**Übersicht der Kommunikationsdaten:**

**Overview of the communication data:**

**Input**

Ethernet <sup>1)</sup> standard	Bit 7	Bit 6	Bit 5	Bit 4	Bit 3	Bit 2	Bit 1	Bit 0
1st Byte	LM1_E_G	LM1_E_ER	LM1_E_SM1	LM1_E_SM0	-	LM1_I_UK	LM1_I_SK	LM1_D_RUN
2nd Byte	-	-	-	-	-	LM1_I_OL	LM1_I_OT	LM1_I_OD
3rd Byte	Diagnose Byte (pluggable)							

Ethernet <sup>1)</sup> standard	Bit 7	Bit 6	Bit 5	Bit 4	Bit 3	Bit 2	Bit 1	Bit 0
1st Byte	-	-	LM1_SM1_E_S1	-	-	LM1_SM1_I_S3	LM1_SM1_I_S2	LM1_SM1_I_S1
2nd Byte	Diagnose Byte (pluggable)							

Ethernet <sup>1)</sup> standard	Bit 7	Bit 6	Bit 5	Bit 4	Bit 3	Bit 2	Bit 1	Bit 0
1st Byte	LM1_SM2_E_S3	-	LM1_SM2_E_S1	-	-	LM1_SM2_I_S3	LM1_SM2_I_S3_E	LM1_SM2_I_S1
2nd Byte	Diagnose Byte (pluggable)							

Ethernet <sup>1)</sup> SAFE	Bit 7	Bit 6	Bit 5	Bit 4	Bit 3	Bit 2	Bit 1	Bit 0
	-	-	-	LM1_SM2_FL_S3	LM1_SM2_FL_S1	LM1_SM1_FL_ES!	LM1_FL_UK	LM1_FL_SK

**Output**

Ethernet <sup>1)</sup> standard	Bit 7	Bit 6	Bit 5	Bit 4	Bit 3	Bit 2	Bit 1	Bit 0
1st Byte	LM1_ACK_G	LM1_ACK_ER	-	-	-	-	-	LM1_O_CL

Ethernet <sup>1)</sup> standard	Bit 7	Bit 6	Bit 5	Bit 4	Bit 3	Bit 2	Bit 1	Bit 0
1st Byte	-	-	LM1_SM2_O_H3_B	LM1_SM2_O_H2_B	LM1_SM2_O_H1_B	LM1_SM2_O_H3	LMM1_SM2_O_H2	LM1_SM2_O_H1

Ethernet <sup>1)</sup> standard	Bit 7	Bit 6	Bit 5	Bit 4	Bit 3	Bit 2	Bit 1	Bit 0
1st Byte	-	-	-	LM1_SM1_O_H3_Rd_B	LM1_SM1_O_H3_Gn_B	LM1_SM1_O_J3	LM1_SM1_O_H3_Rd	LM1_SM1_O_H3_Gn

Ethernet <sup>1)</sup> SAFE	Bit 7	Bit 6	Bit 5	Bit 4	Bit 3	Bit 2	Bit 1	Bit 0
	-	-	-	-	-	-	-	LM1_FO_CL

<sup>1)</sup> Ethernet Protokoll in Abhängigkeit des verwendeten MBM Busmodul / Ethernet protocol according to the used MBM Busmodul

Technische Änderungen vorbehalten, alle Angaben ohne Gewähr / Subject to technical modifications; no responsibility is accepted for the accuracy of this information.