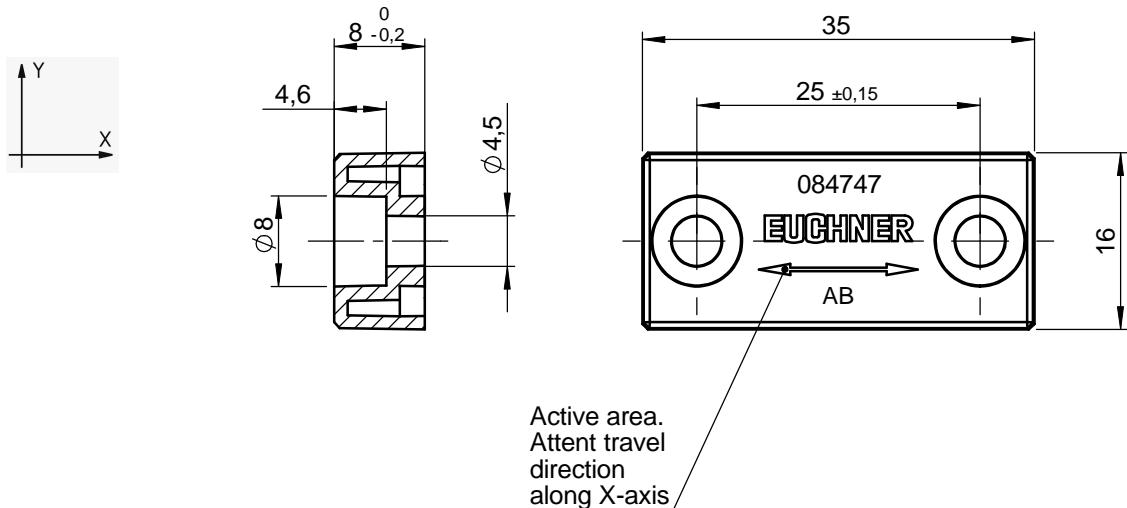


Technische Änderungen vorbehalten, alle Angaben ohne Gewähr / Subject to technical modifications; no responsibility is accepted for the accuracy of this information. © EUCHNER GmbH + Co KG



Technical Data

General parameters	Value	Unit
Memory capacity (read / write)	16	bytes
Power supply	inductive via read head	
Carrier frequency	125	kHz
Housing material	plastic PPS	
Degree of protection according to IEC / EN 60529	IP 67	
Installation method	screw fixing, non flush	
Ambient temperature	- 40 to + 85	°C
Data retention time (T = + 50 °C)	min. 10	years

Operating parameters for reading with - Read-only head CIT3PL1N30...	Value	Unit
Read distance s_L	0 to 12 *	mm
Center offset m_L in x-direction (at $s_L = 9$ mm)	± 20 *	mm
Center offset m_L in y-direction (at $s_L = 9$ mm)	± 3 *	mm
Relative speed for reading of 4 hexadecimal digits (at $s_L = 9$ mm and center offset $m_L = 0$ in y-direction)	Max. 20 *	m/min
Number of read cycles	unlimited	cycles

* Values apply at temperature T = + 21 °C

Operating parameters for reading and writing with - Read/write head CIT3SX...	Value	Unit
Read parameters identical with read-only head CIT3PL1N30...	on metal	
Write distance s_S	0 to 5 *	mm
Center offset m_S in x-direction (at $s_S = 4$ mm)	± 5 *	mm
Center offset m_S in y-direction (at $s_S = 4$ mm)	$\pm 1,5$ *	mm
Number of write cycles	min. 10^5	cycles

* Values apply at temperature T = + 21 °C

Notice:

The data carrier is written (programmed) with maximum 32 hexadecimal digits (value 0_{hex} to F_{hex}) per customer definition. Standard filler digit following the customer specific number is E_{hex} . The housing is indestructible marked by laser on the side showing the programmed digit sequence in hexadecimal notation. Filler digits are not indicated.