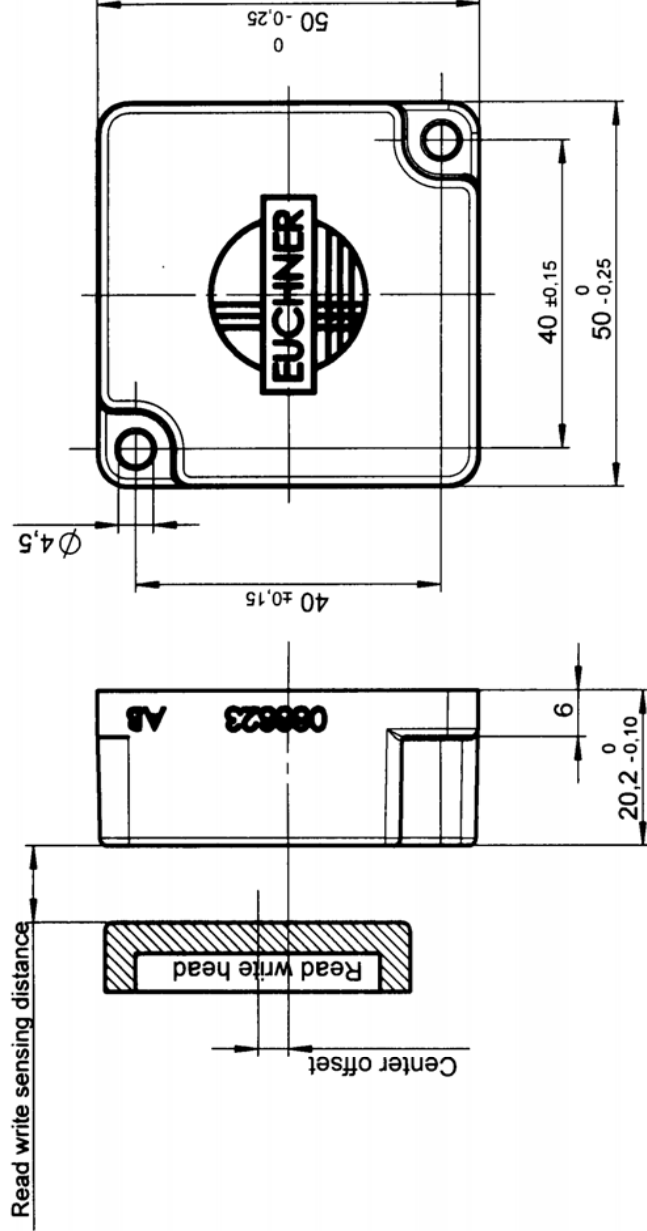




Made in mm



**Technical Data :**

Housing  
 Environmental protection EN 60529  
 Installation method  
 Operating temperature  
 Storage temperature

Power supply  
 Carrier frequency  
 Memory capacity  
 Data retention time (at T= +22°C)  
 Number of read/write cycles

**Operating parameters with  
 Read/write head CIT3ASX1R1G05KR**

read sensing distance  $l_s$   
 write sensing distance  $s_s$   
 Center offset ( $l_s/s_s = 10\text{mm}$  and  $T = +25^\circ\text{C}$ )

**Operating parameters with  
 Read head CIT3APLI1G04ST**

read sensing distance  $l_s$  (dynamic)  
 read sensing distance  $l_s$  (static)  
 Center offset ( $l_s/s_s = 15\text{mm}$  and  $T = +25^\circ\text{C}$ )

PPS-plastic  
 IP 67  
 screw fixture, non flush in metal  
 -20°C to +85°C  
 -20°C to +85°C  
 product life under temperature cycles tested  
 with 1000 cycles (+20°C to +85°C)  
 inductive via read/write head  
 125 kHz  
 16 Byte  
 20 years  
 100 000

max. 20mm  
 max. 15mm  
 ± 4,0mm

max. 25mm  
 max. 30mm  
 max. ± 4,0mm

Ausg.	Änd.-Nr.	Datum	Name	Datum	Name
2	03530	25.09.03	Prirsch	22.10.02	Prirsch
			Geprüft		<i>22.10.03 Prirsch</i>
			Genehmigt		<i>22.10.03 Prirsch</i>



Ersetzt durch	Ersatz für
---------------	------------

**Technische Änderungen vorbehalten  
 Subject to technical modifications**

Benennung Data carrier CIS3AP50X50SH16YSNOU	Zeichnungs-Nr. 088823
Bemerkung	Klasse-Nr. 1473