

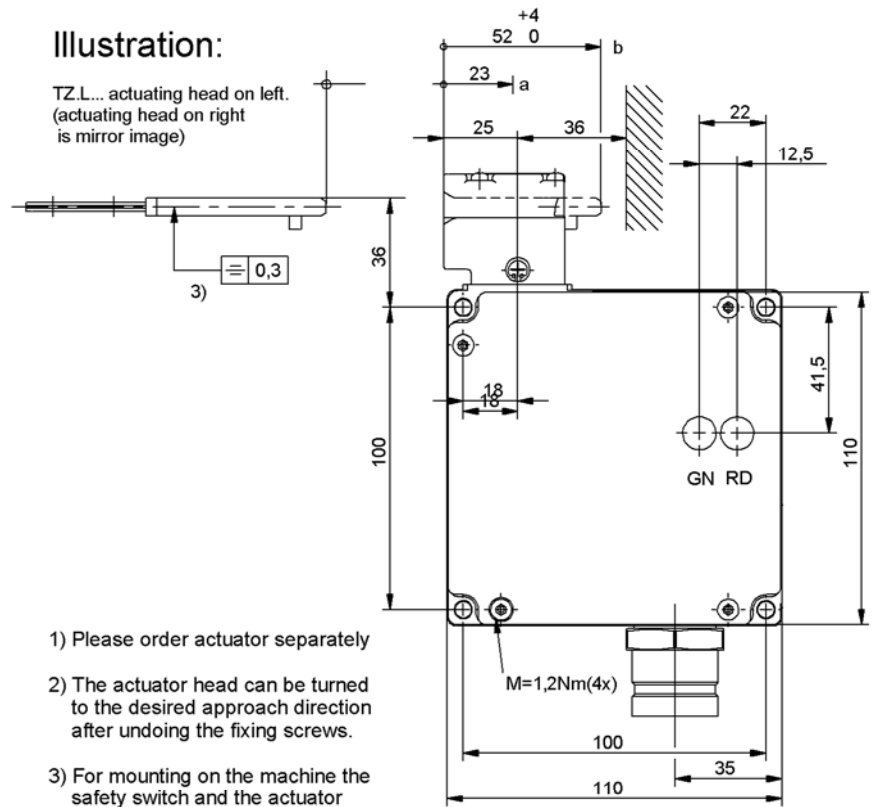
Maße in mm / Dimension in mm

© EUCHNER GmbH + Co KG

Technische Änderungen vorbehalten, alle Angaben ohne Gewähr / Subject to technical modifications; no responsibility is accepted for the accuracy of this information.

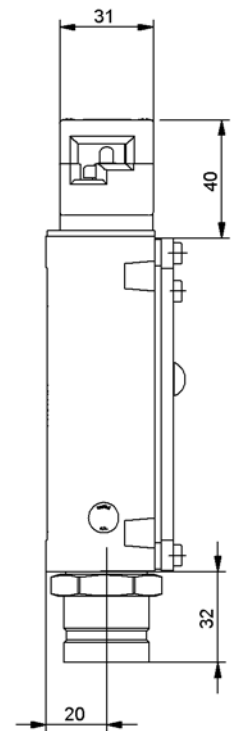
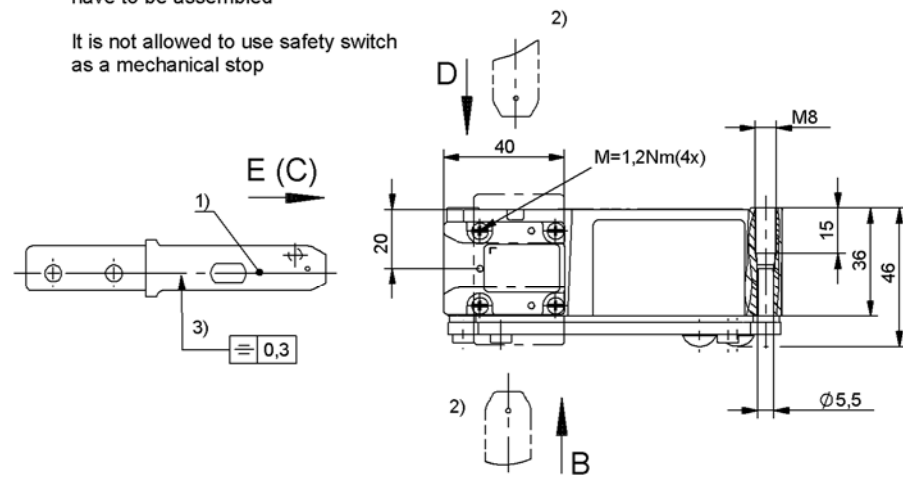
**Illustration:**

TZ.L... actuating head on left.  
(actuating head on right is mirror image)



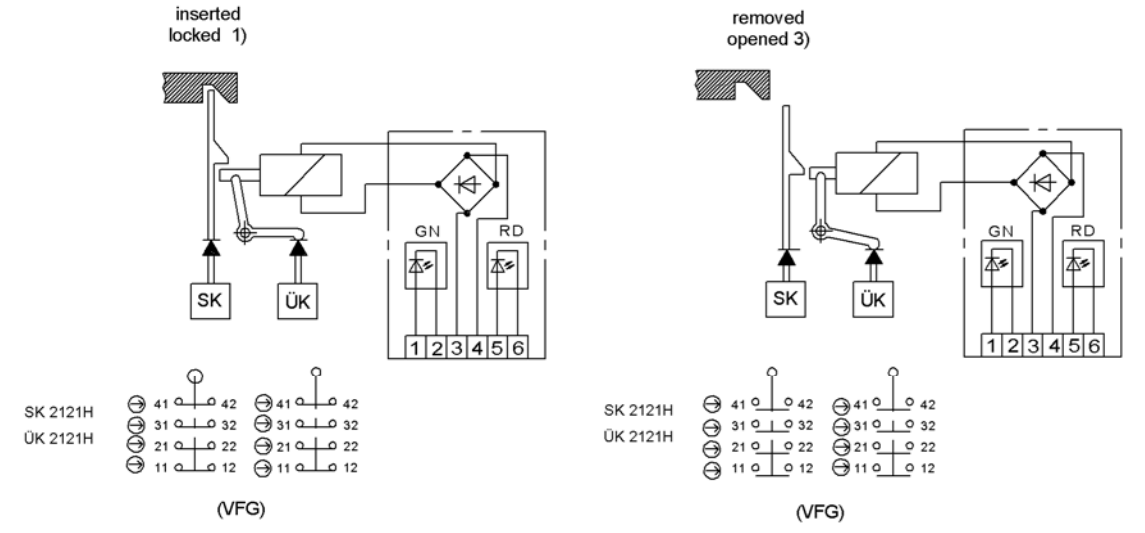
- 1) Please order actuator separately
- 2) The actuator head can be turned to the desired approach direction after undoing the fixing screws.
- 3) For mounting on the machine the safety switch and the actuator have to be assembled

It is not allowed to use safety switch as a mechanical stop



- a Pre-travel:  
The actuator is in the guide, but does not initiate switching operation.
- b Switching operation complete:  
The actuator must be inserted up to this point to ensure reliable switching. The actuator must be withdrawn at least to point a) for switching off.

Actuator:  
Switching position:



096466	TZ2LE024BHA-C1902	24V
096467	TZ2RE024BHA-C1902	24V
079692	TZ1LE024BHA-C1902	24V
079693	TZ1RE024BHA-C1902	24V
Ident-Nr.	Type	Magnetspannung

Technical DATA Please observe the operating instructions (in case of disagreement between data sheet and operating instructions, the information of the data sheet are to be considered)

Parameter	Value	Unit
Housing material	Anodized die-cast alloy	
Environmental protection to IEC 60529	IP65	
Mechanical operations	1 x 10 <sup>6</sup>	
Ambient temperature	-25 bis +80 °C	
Mounting position	optional	
Approach speed max.	20 m/min	
Actuating-, Extraction-, Retaining force (20°)	35 / 30 / 10 N	
Locking force max.	2000 N	
Locking force according to test principle GS-ET-19 (Fzh = Fmax/1,3)	1500 N	

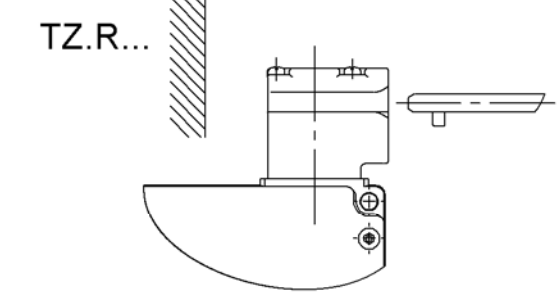
**SWITCH ELEMENT**

Type	SK2121H, UK2121H	
Switching principle	Slow action	
Switch contacts	see diagram	
Contact material	Silver alloy, gold-flashed	
Terminal	BHA12 (12-polig)	
Rated insulation voltage Ui	250	V
Rated impulse withstand voltage Uimp	1,5	kV
Utilization category to IEC / EN 60 947-5-1	AC-15 Ie 4A Ue 230V DC-13 Ie 4A Ue 24V	
Switching voltage min. at 10mA	12	V
Switching current min. at 24V	1	mA
Short-circuit protection (control fuse)	4A gG	

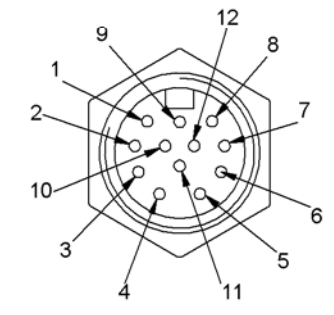
**SOLENOID**

Operating voltage, see type	24	V≈
ON time	100	%
Connected load	7	W

Status LED's The operating voltage of the LED's correspond to the supply voltage of the solenoid.



**Z 1:1 Pin assignment**



Built in receptacle:  
MIN-12MR-1-18-...  
Mencom Corporation  
www.mecomcorp.com

Orientation of plug connector is not defined

