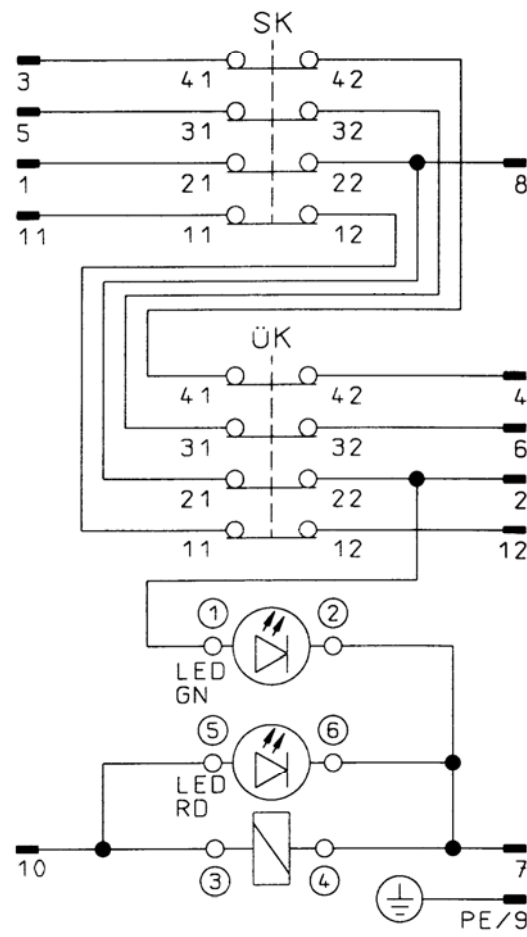


Maße in mm

Circuit diagram

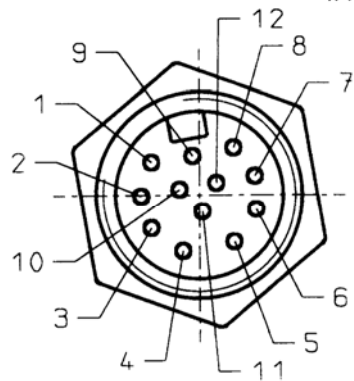


Terminal 1 to 6 of PCB terminal strip are shown by O

Pin assignment

Z 1:1

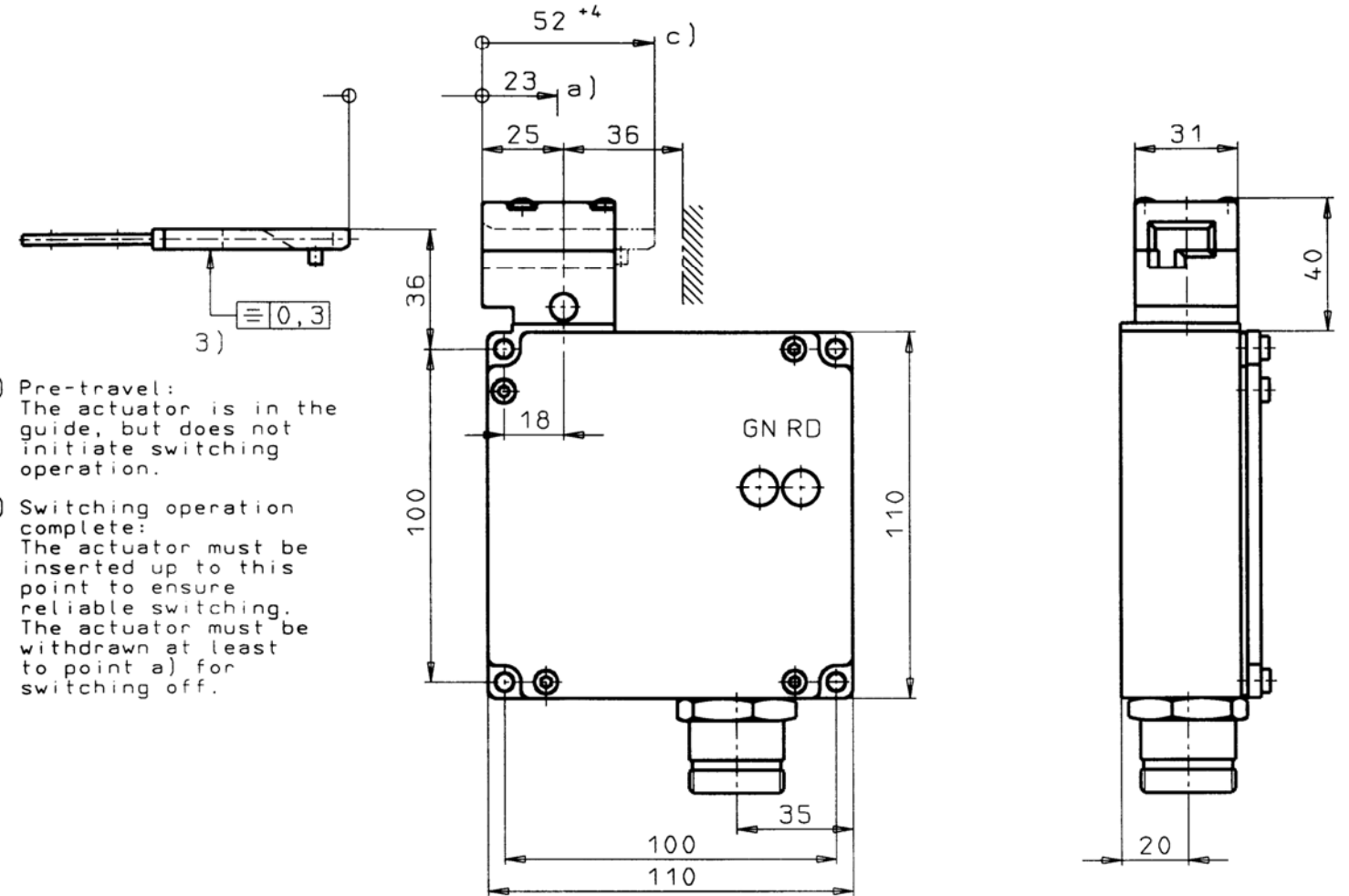
Built in receptacle:
MIN-12MR-1-18-...
Mencom Corporation
www.mencomcorp.com



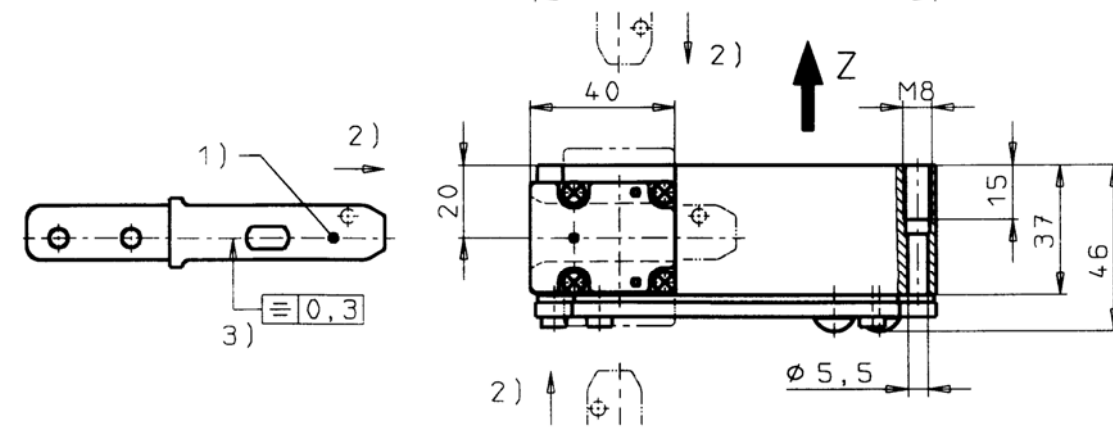
Orientation of plug connector is not defined

- 1) Please order actuator separately
- 2) Operation direction can be changed by user
- 3) For mounting on the machine the safety switch and the actuator have to be assembled

It is not allowed to use safety switch as a mechanical stop



- a) Pre-travel:
The actuator is in the guide, but does not initiate switching operation.
- c) Switching operation complete:
The actuator must be inserted up to this point to ensure reliable switching. The actuator must be withdrawn at least to point a) for switching off.



085569	TZ1LE024BHAVFG-RC1971	24V
Cat.-No.	Type	solenoid voltage

Ausg.						Datum						Name						Technische Änderungen vorbehalten Subject to technical modifications						Maßstab 1:2	
2		03118		25.02.03		Raff		Bearbeitet		06.12.01		Raff								Blatt 1 von 2					
												Geprüft						25.02.03							
												Genehmigt													
Ersetzt durch						Ersetzt für												Benennung Safety Switch with solenoid interlock						Zeichnungs-Nr. 086115	
												Bemerkung TZ.LE...BHA-C1971						Klasse-Nr. 112G							