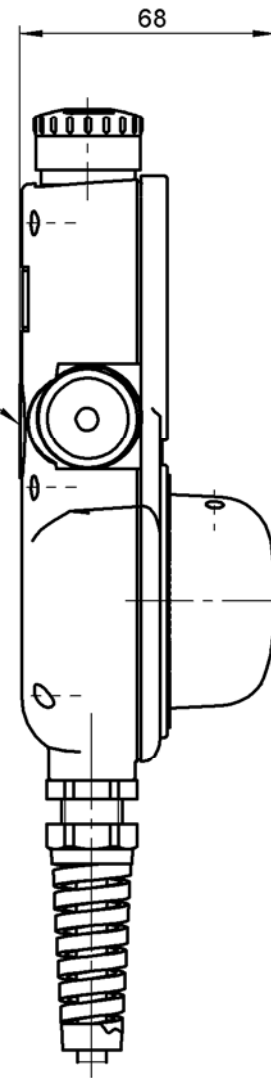
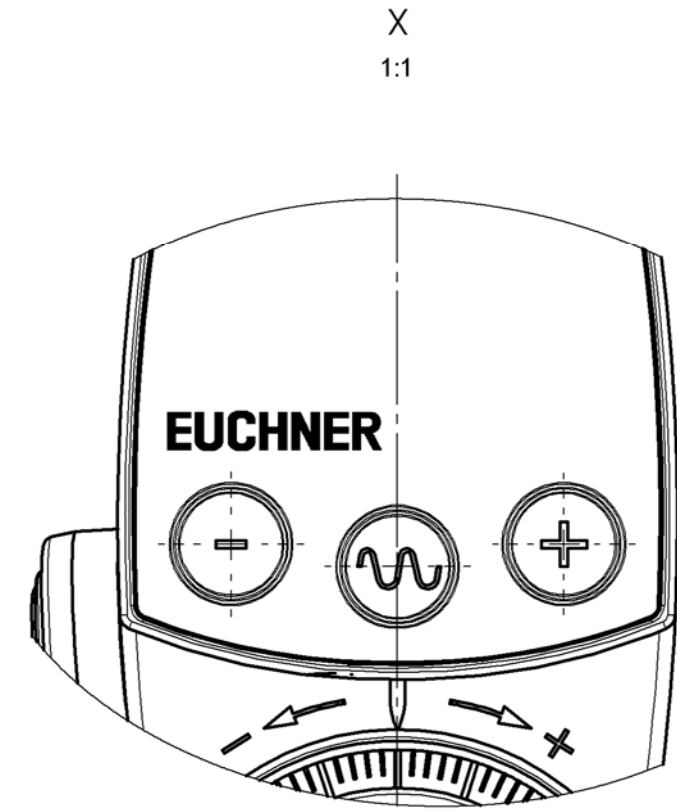


Haftmagnet
Magnetic Holding Pad



23-pol. Steckverbinder
(Fa. Burndy, Metall-Ausf.)
23-pin plug-connector
(Type Burndy, housing material: metal)



Technische Änderungen vorbehalten, alle Angaben ohne Gewähr / Subject to technical modifications; no responsibility is accepted for the accuracy of this information. © EUCHNER GmbH + Co. KG Maßße in mm / Dimensions in mm