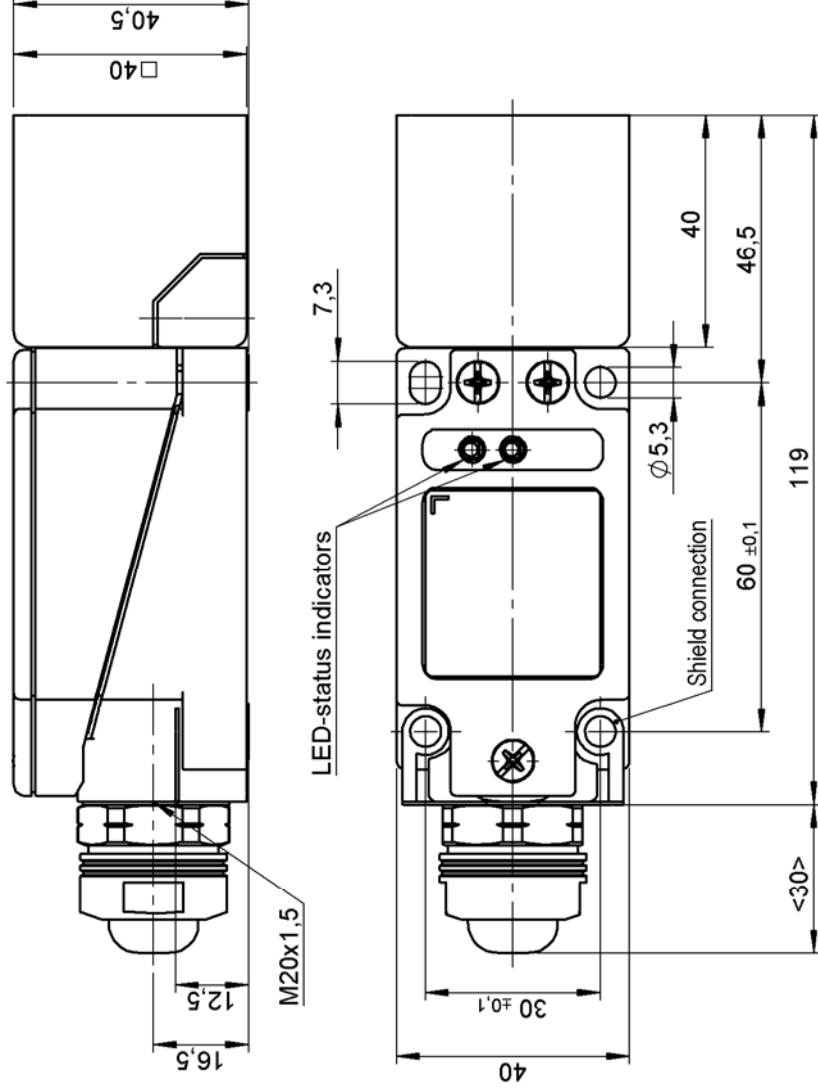


active face



Note:

All the electrical connections must either be isolated from the mains supply by a safety transformer according to IEC/EN 61558-2-6 with limited output voltage in the event of a fault, or by other equivalent isolation measures.

PIN	Connection/Signal
1	+24V
2	RxD
3	-0V
4	TxD

Technical Data

Parameters	Value		Unit
	min.	nom. max.	
General parameters	Plastic		
Housing	IP 65		
Environmental protection according IEC 60529			
Storage temperature	-25	+80	°C
Ambient temperature	0	+55	°C
Operating voltage U _B (regulated, residual ripple < 2%)	20	24	VDC
Permanent power consumption (without load)	120	140	mA
Connection type	Screw terminal		
Interface, data transmission			
Interface	RS 232 / V.24		
Protocol	3964R		
Data rate	9,6		kBaud
Parity	even		
Cable length (RS 232 - interface)	5		m