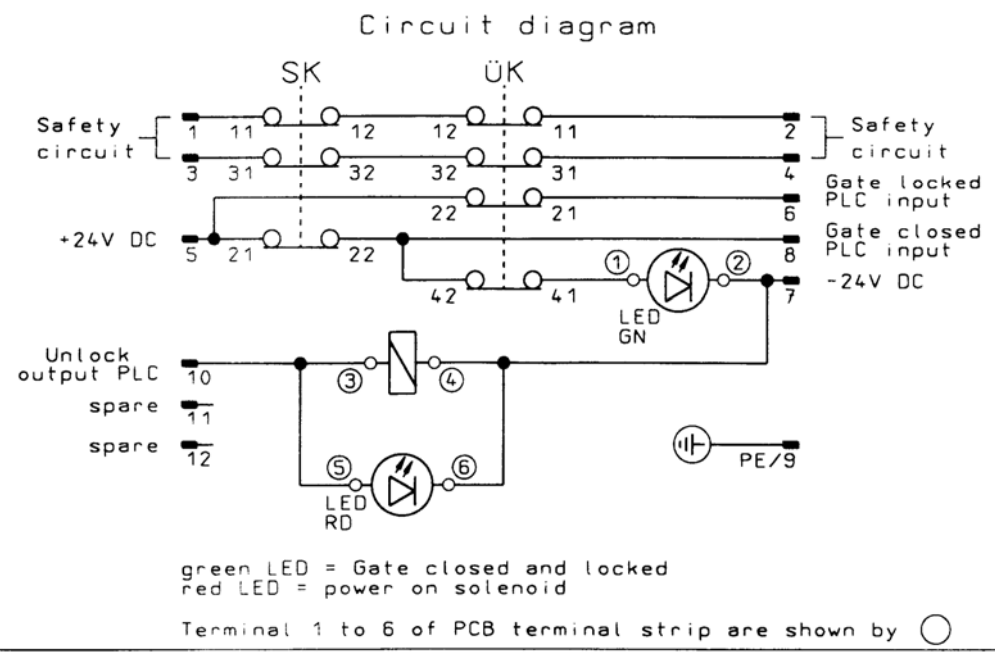
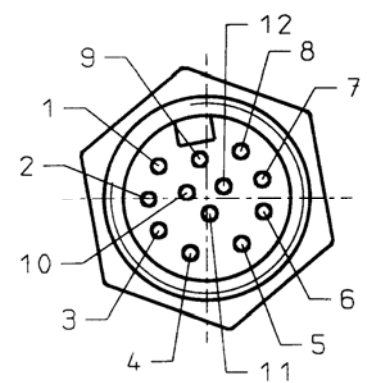


Masse in mm



Pin assignment

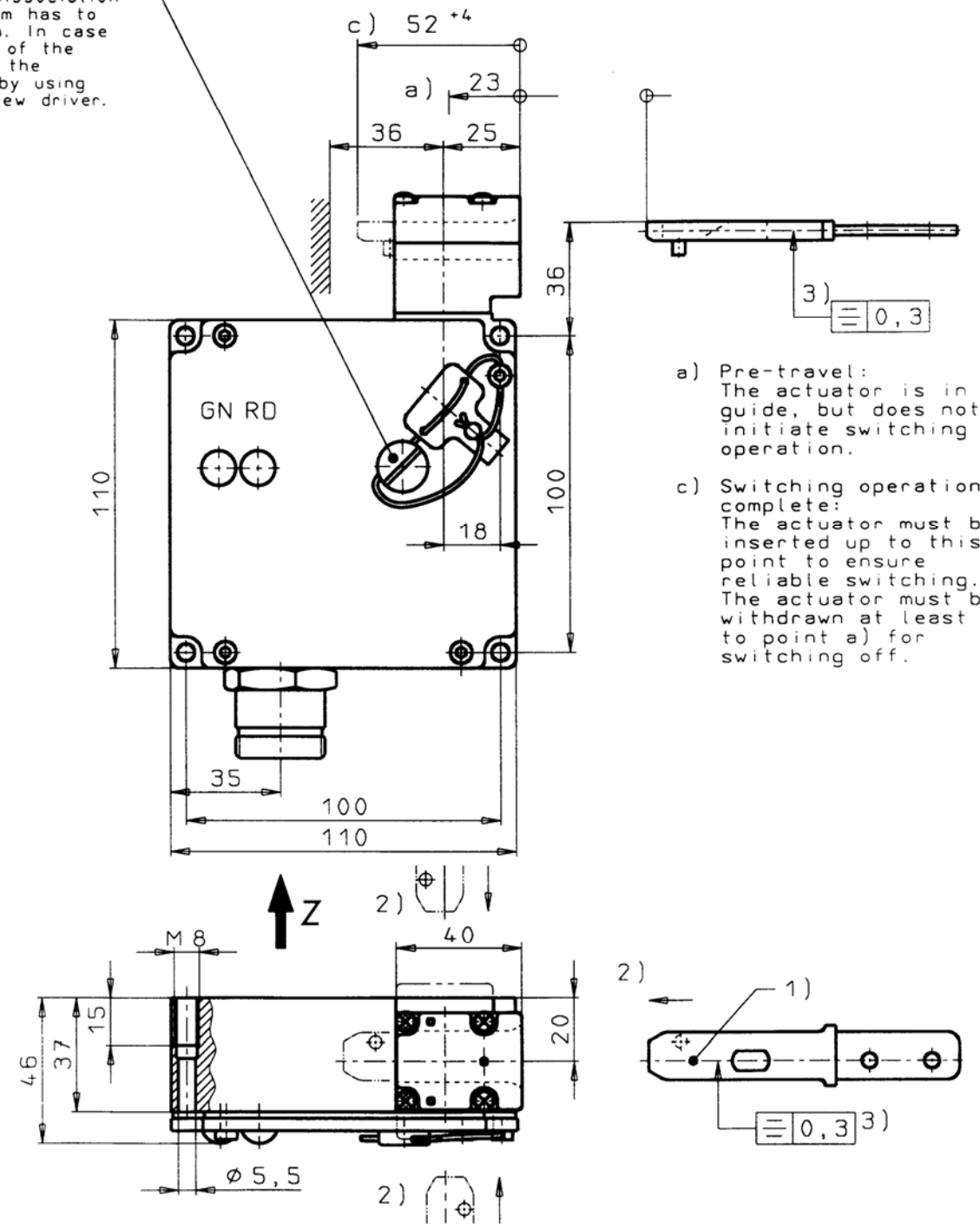
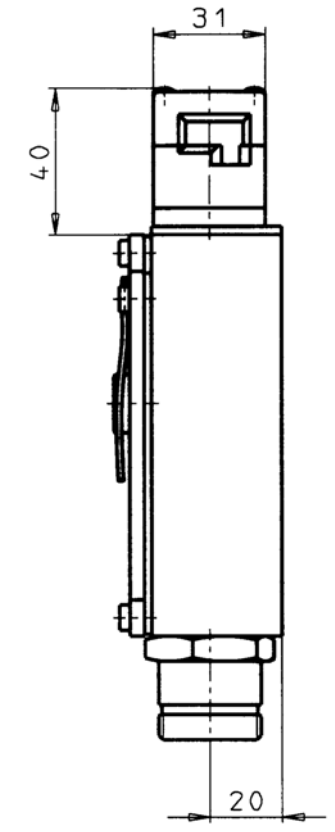
Z 1:1



Built in receptacle:
MIN-12MR-1-18-...
Mencom Corporation
www.mencomcorp.com

Orientation of plug connector
is not defined

Auxillary unlocking mechanism
According to the regulations of the Employer's Liability Insurance Association the auxillary unlocking mechanism has to be sealed after the installation. In case of faulty operation the locking of the interlock can be released after the locking screw has been removed by using the enclosed key or a broad screw driver.



- a) Pre-travel:
The actuator is in the guide, but does not initiate switching operation.
- c) Switching operation complete:
The actuator must be inserted up to this point to ensure reliable switching. The actuator must be withdrawn at least to point a) for switching off.

- 1) Please order actuator separately
- 2) Operation direction can be changed by user
- 3) For mounting on the machine the safety switch and the actuator have to be assembled

It is not allowed to use safety switch as a mechanical stop

083191		TZ1RE024BHAVFG-RC1924		24V				
Cat.No.		Type		solenoid voltage				
Ausg.	Aend.-Nr.	Tag	Name	2000	Tag	Name	Technische Aenderungen vorbehalten Subject to technical modifications	Masst.
2	03118	25.02.03	Raff	Bearb.	07.11.	Raff		1:2
				Gepr.	25.02.03	Mz	Blatt 1 von 2	
				Norm		Mz		
Ersetzt durch		Ersatz fuer				Benennung Safety Switch with solenoid interlock		Zeichnungs-Nr.
						Bemerkg. TZ.RE...BHAVFG-RC1924		083195
						Klass. Nr.		112G

CAD - Zeichnung, keine manuellen Aenderungen durchfuehren!
Schutzvermerk nach DIN 34 beachten. Copyright reserved.