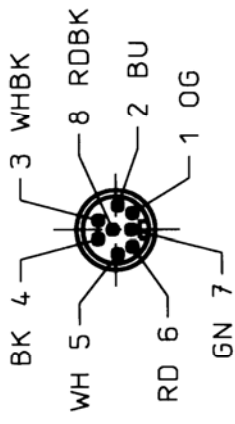


Pinout of male connector  
plug side



LED (YE)

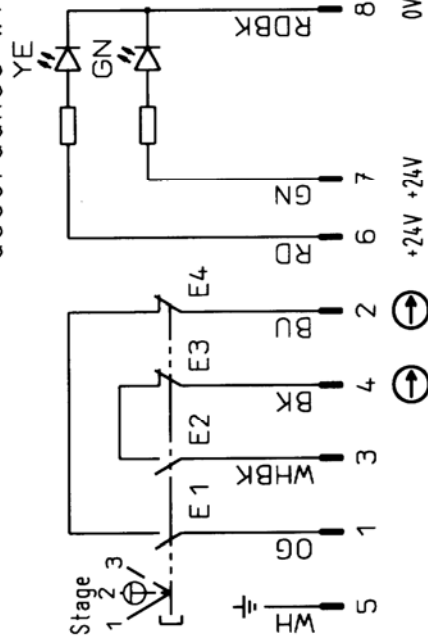
LED (GN)

Technical data:

|                                     |   |
|-------------------------------------|---|
| Housing material                    | Plastic   |
| Environmental protection to IEC 529 | IP 65   |
| Ambient temperature                 | -5 to +60°C   |
| Switching elements                  | 2 NO, 2 NC  |
| Utilization category to IEC 947-5-1 | AC-15 U <sub>e</sub> 230V I <sub>e</sub> 4A<br>DC-13 U <sub>e</sub> 230V I <sub>e</sub> 0,3A / U <sub>e</sub> 24V I <sub>e</sub> 3A |
| Connection                          | Plug connector type Mecom   |
| Fuse                                | 6A quick action   |
| LED                                 | Operating voltage 24V DC,<br>GN, YE   |

Wiring diagram:

Function:  
3-stage enabling switch in accordance with VDI 2854

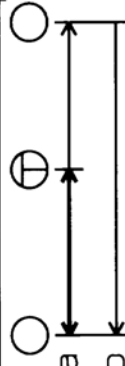


Stage 1: Off function

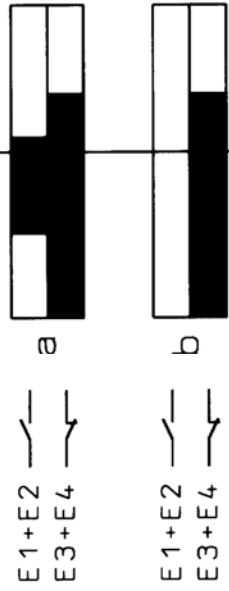
Stage 2: Enabling function

Stage 3: Off function with positive opening operation

E = Element



Switching diagram:  
Trigger point



Contact  
open  
closed

|               |            |            |          |                |                 |
|---------------|------------|------------|----------|----------------|-----------------|
| Ausg. -Nr.    | Datum      | Name       | Datum    | Name           | Meßstab         |
| 2             | 05.04.07   | Kaiser     | 04.07.07 | Kaiser         | 1:2             |
|               |            | Bearbeitet |          |                | Blatt           |
|               |            | Gepflegt   |          |                |                 |
|               |            | Genehmigt  |          |                |                 |
|               |            |            |          |                |                 |
| Ersetzt durch | Ersatz für |            |          | Benennung      | Zeichnungs-Nr.  |
|               |            |            |          | ZSA086681C1979 | 086681          |
|               |            |            |          | Bemerkung      | Klasse-Nr. 1193 |