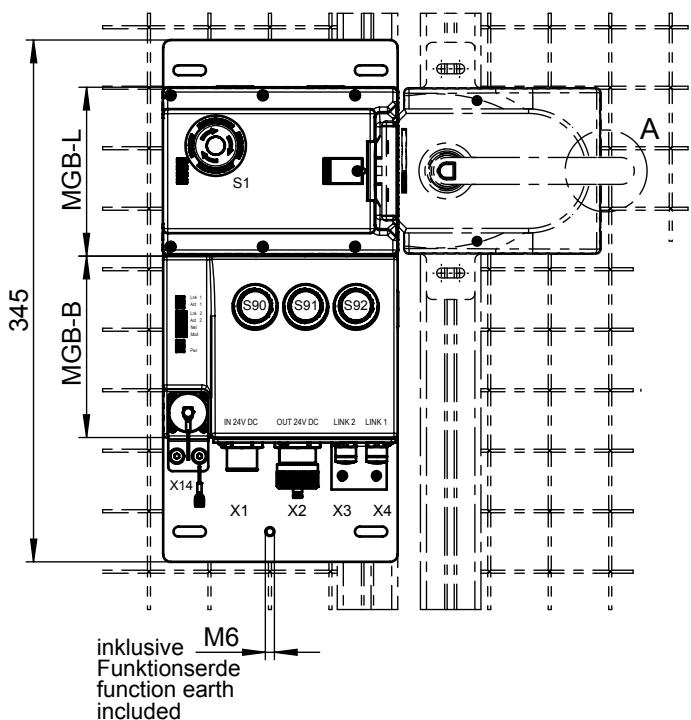


Technische Änderungen vorbehalten, alle Angaben ohne Gewähr / Subject to technical modifications; no responsibility is accepted for the accuracy of this information. © EUCHNER GmbH + Co. KG Maße in mm / Dimensions in mm

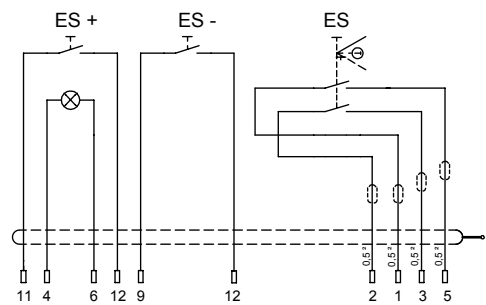
...-R-...

...-L-...

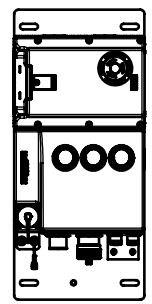


- X1** 7/8" Power (Stecker / male) 4-polig
- X2** 7/8" Power (Buchse / female) 4-polig
- X3 / X4** M12 D-coded (Buchse / female) 4-polig
- X14** RC12 (Buchse / female)
- ES** (Zustimmstaster / Enabling Switch)

Anschlussbelegung / PIN assignment



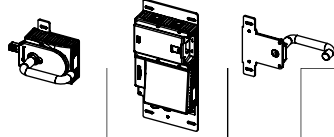
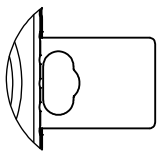
Aussenschirm an Steckergehäuse
Outer screen to plug housing



inklusive M6
Funktionserde
function earth
included

Detail A

Sperrverriegelung im ausgefahrenen Zustand
Automatic lockoutbar in "open" position.



	MGBH...	MGBL...	MGBE...	Türanschlag Door hinge	S1 NOT-HALT Taster beleuchtet Emergency stop illuminated	S90 Taster beleuchtet Push-button illuminated	S91 Taster beleuchtet Push-button illuminated	S92 Taster beleuchtet Push-button illuminated
MGB-L2B-EIA-R-136509		X		R				
MGB-L2HB-EIA-R-157788	X	X		R	X	X	X	X
MGB-L2B-EIA-L-136523		X		L				
MGB-L2HB-EIA-L-157790	X	X		L				

- Blenden-Set** für Taster inklusive:
Lens-Set for push-buttons included:
- 2x weiss / white
 - 1x blau / blue
 - 1x gelb / yellow
 - 1x grün / green
 - 1x rot / red

Betriebsanleitung beachten
(bei Abweichungen zwischen Datenblatt u. Betriebsanleitung gelten die Daten des Datenblattes)

Please observe the operating instructions
(in case of disagreement between data sheet and operating instructions, the information of the data sheet are to be considered)

EtherNet / IP

Datenbytes / Data bytes	Datenblöcke / Data blocks	Eingangsbereich / Input range:	Bit	7	6	5	4	3	2	1	0	
Standardfunktionen Standard functions	Connection header	Byte 0	-	-	-	-	-	DA	CF	RM		
	Connection header	Byte 1	DiagnosticSequenceCount									
	Connection header	Byte 2	-	-	-	-	-	-	-	-	-	
	Connection header	Byte 3	-	-	-	-	-	-	-	-	-	
	Sichere Funktionen Safe functions (FI)	Failsafe input 0	Byte 4	-	-	-	-	-	-	-	-	F.I.E.S
		Failsafe input 1	Byte 5	F.I.U.K	F.I.S.K	-	-	-	F.I.L	F.I.B	F.I.D	
		Input 0	Byte 6	EN-S1	-	-	S92.1	-	S91.1	-	S90.1	
		Input 1	Byte 7	EN-S2	-	-	-	-	-	-	-	
	Standardfunktionen Standard functions	Input 2	Byte 8	-	-	-	-	-	-	-	-	
		Diagnostics	Byte 9	D.LT	-	D.OL	-	D.EN	D.ES	D.PF	-	
		Fault code	Byte 10	FaultCode								
Fault code		Byte 11	FaultCode									
Sichere Funktion Safe function (FO.)	Failsafe output 0	Byte 0	-	-	-	-	-	-	-	-	FO.L	
	Output 0	Byte 1	-	-	-	-	-	H92	H91	H90		
	Output 1	Byte 2	EN-H2	-	-	-	-	-	-	-	H1	
	Control and ACK	Byte 3	Q.PF	Q.G	-	-	-	-	-	-		

DA = Diagnostic active F.I.S.K = D and B D.LT = Lifetime
 CF = Connection faulted F.I.L = Guard locking D.OL = Guard locking
 RM = Run mode F.I.B = Bolt position D.ES = Emergency stop
 F.I.U.K = D and B and L F.I.D = Door position D.PF = Plausibility fault
 FO.L = Guard locking
 Q.PF = Acknowledge plausibility fault
 Q.G = Acknowledge all