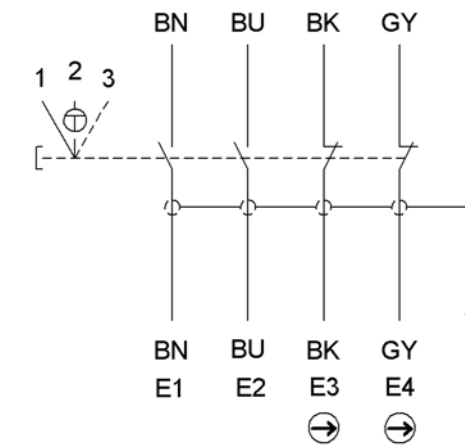


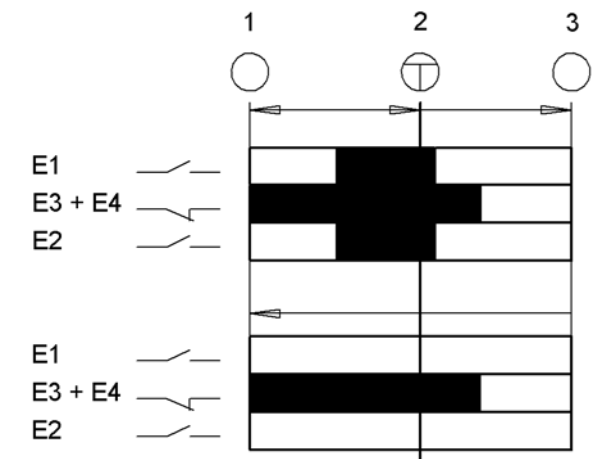
Technical Data	
Connection cable	8 x 0,34mm ²
Rated impulse withstand voltage	U _{imp} = 2,5kV
Utilization category according to EN 60947-5-1	AC-15 2A 230V DC-13 2A 24V
Short-circuit protection at 24V	2A gG
Weight	approx. 1,1kg

Ident-No.	Type	L
104085	ZSR2A4S05A	5000

Wiring diagram:



Travel diagram



Contacts
 □ open
 ■ closed

E = Switching element

⊕ = Action point

Technische Änderungen vorbehalten, alle Angaben ohne Gewähr / Subject to technical modifications; no responsibility is accepted for the accuracy of this information. © EUCHNER GmbH + Co. KG. Maße in mm / Dimensions in mm.