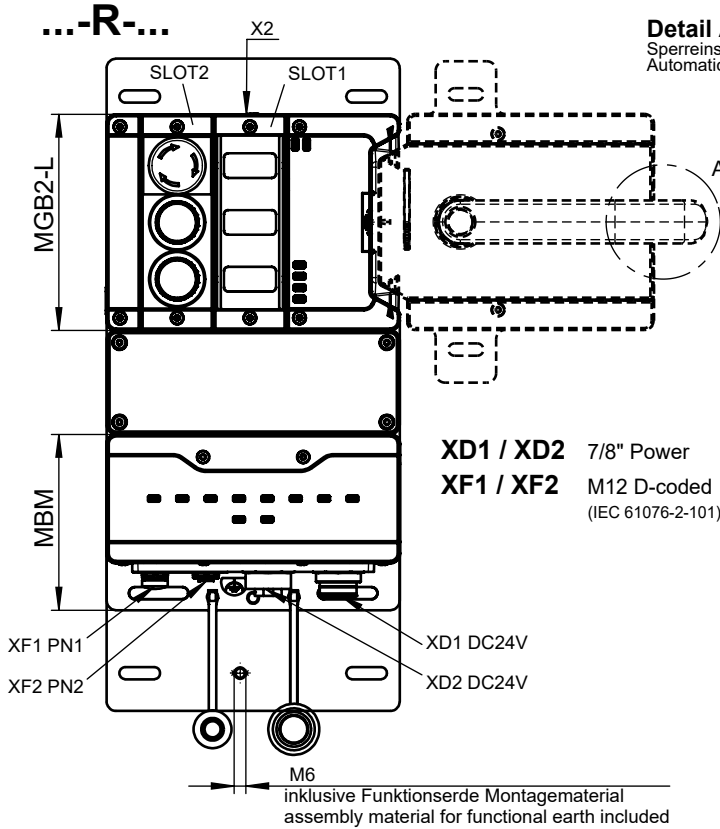


Technische Änderungen vorbehalten, alle Angaben ohne Gewähr / Subject to technical modifications; no responsibility is accepted for the accuracy of this information. © EUCHNER GmbH + Co. KG Maße in mm / Dimensions in mm



- Inklusive:**
- 3 Einlegeschilder (silber, ohne Aufschrift)
  - Etikettenhalter (AY-C-A1-156732)
  - Erdungsschraube M6x8 (AC-FE-GS-M6X8-170020)
- Including:**
- 3 Insertion plates (silver, without inscription)
  - label holder (AY-C-A1-156732)
  - Grounding screw M6x8 (AC-FE-GS-M6X8-170020)

- AY-SET-LNS-0001-120344 (1x)  
**Blenden-Set** für Taster inklusive:  
**Cover-Set** for push-buttons including:
- 2x weiss / white
  - 1x blau / blue
  - 1x gelb / yellow
  - 1x grün / green
  - 1x rot / red



**Betriebsanleitung beachten**  
 (bei Abweichungen zwischen Datenblatt und Betriebsanleitung gelten die Daten des Datenblattes)  
**Please observe the operating instructions**  
 (in case of disagreement between data sheet and operating instructions, the information of the data sheet are to be considered)

	MGB2-L...	MSM... (SLOT1)	MSM... (SLOT2)	AC-MC... (X1)	AC-MC... (X2)	MBM...	AV...	MGB2-H...
MGB2-IB-PN-U-S4-ZA-R-173879	157955	137610	163119	157024	156718	169765	173903	-
MGB2-IHB-PN-U-S4-ZA-R-173869	157955	137610	163119	157024	156718	169765	173903	157369
MGB2-IB-PN-U-S4-ZA-L-173880	157955	137610	163119	156718	157024	169765	173903	-
MGB2-IHB-PN-U-S4-ZA-L-173870	157955	137610	163119	156718	157024	169765	173903	157371

**Übersicht der Kommunikationsdaten:  
 Overview of the communication data:**

**Input**

Ethernet <sup>1)</sup> standard	Bit 7	Bit 6	Bit 5	Bit 4	Bit 3	Bit 2	Bit 1	Bit 0
1st Byte	BM_E_G	-	BM_E_SYS	-	-	BM_E_ML2	BM_E_ML1	BM_D_RUN
2nd Byte	Diagnose Byte (pluggable)							

Ethernet <sup>1)</sup> standard	Bit 7	Bit 6	Bit 5	Bit 4	Bit 3	Bit 2	Bit 1	Bit 0
1st Byte	LM1_E_G	-	LM1_E_SM1	LM1_E_SM0	-	-	LM1_I_SK	LM1_D_RUN
2nd Byte	-	-	-	-	-	-	LM1_I_OT	LM1_I_OD
3rd Byte	Diagnose Byte (pluggable)							

Ethernet <sup>1)</sup> standard	Bit 7	Bit 6	Bit 5	Bit 4	Bit 3	Bit 2	Bit 1	Bit 0
1st Byte	-	-	SM2_E_S1	-	-	SM2_I_S3	SM2_I_S2	SM2_I_S1
2nd Byte	Diagnose Byte (pluggable)							

Ethernet <sup>1)</sup> SAFE	Bit 7	Bit 6	Bit 5	Bit 4	Bit 3	Bit 2	Bit 1	Bit 0
!	-	-	-	-	-	SM2_FI_ES	LM1_FI_UK*	LM1_FI_SK

**Output**

Ethernet <sup>1)</sup> standard	Bit 7	Bit 6	Bit 5	Bit 4	Bit 3	Bit 2	Bit 1	Bit 0
1st Byte	BM_ACK_G	-	-	-	-	-	-	-

Ethernet <sup>1)</sup> standard	Bit 7	Bit 6	Bit 5	Bit 4	Bit 3	Bit 2	Bit 1	Bit 0
1st Byte	LM1_ACK_G	-	-	-	-	-	-	LM1_O_CL**

Ethernet <sup>1)</sup> standard	Bit 7	Bit 6	Bit 5	Bit 4	Bit 3	Bit 2	Bit 1	Bit 0
1st Byte	-	-	SM2_O_H3_B	SM2_O_H2_B	-	SM2_O_H3	SM2_O_H2	-

Ethernet <sup>1)</sup> SAFE	Bit 7	Bit 6	Bit 5	Bit 4	Bit 3	Bit 2	Bit 1	Bit 0
!	-	-	-	-	-	-	-	LM1_FO_CL**

<sup>1)</sup> Ethernet Protokoll in Abhängigkeit des verwendeten MBM Busmodul / Ethernet protocol according to the used MBM Busmodul

\* Ohne Funktion, Bit ist statisch "null" / Without function, bit is static "false"

\*\* Vorhanden aber nicht benutzt / Available but not used