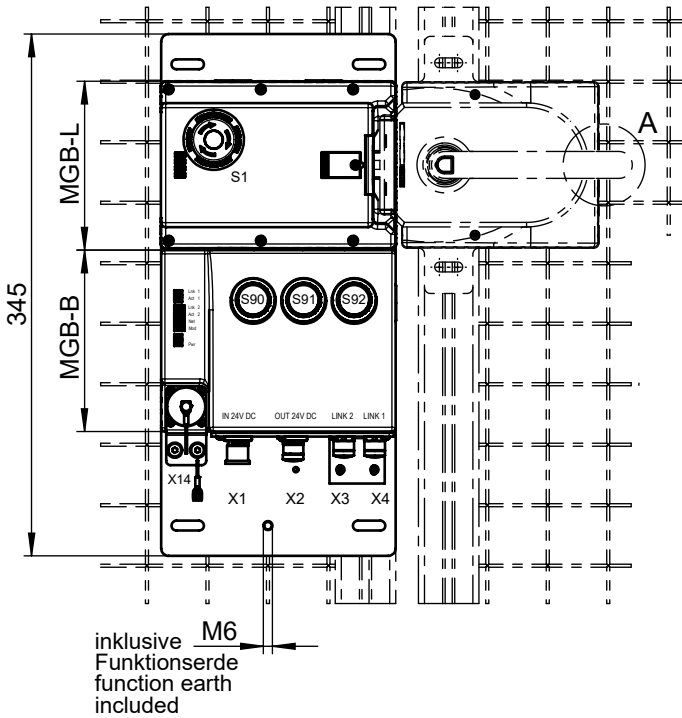


Technische Änderungen vorbehalten, alle Angaben ohne Gewähr / Subject to technical modifications; no responsibility is accepted for the accuracy of this information. © EUCHNER GmbH + Co. KG

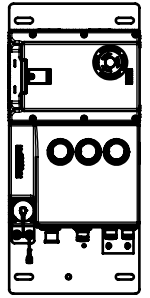
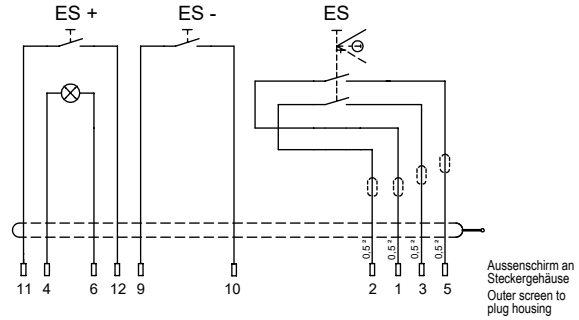
...-R-...

...-L-...



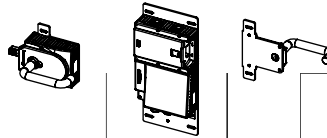
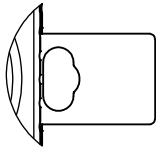
- X1** M12 A-coded (Stecker / male) 4-polig
- X2** M12 A-coded (Buchse / female) 4-polig
- X3 / X4** M12 D-coded (Buchse / female) 4-polig
- X14** RC12 (Buchse / female)
- ES** (Zustimmstaster / Enabling Switch)

Anschlussbelegung / PIN assignment



Detail A

Sperrverriegelung im ausgefahrenen Zustand
Automatic lockoutbar in "open" position.



	MGB-H...	MGB-L...	MGB-E...	Türanschlag Door hinge	S1 NOT-HALT Taster beleuchtet Emergency stop illuminated	S90 Taster beleuchtet Push-button illuminated	S91 Taster beleuchtet Push-button illuminated	S92 Taster beleuchtet Push-button illuminated
MGB-L2B-EIA-R-136508		X		R				
MGB-L2HB-EIA-R-157789	X	X		R	X	X	X	X
MGB-L2B-EIA-L-136522		X		L				
MGB-L2HB-EIA-L-157791	X	X		L				

Blenden-Set für Taster inklusive:
Lens-Set for push-buttons included:

- 2x weiss / white
- 1x blau / blue
- 1x gelb / yellow
- 1x grün / green
- 1x rot / red

Betriebsanleitung beachten
(bei Abweichungen zwischen Datenblatt u. Betriebsanleitung gelten die Daten des Datenblattes)

Please observe the operating instructions
(in case of disagreement between data sheet and operating instructions, the information of the data sheet are to be considered)

EtherNet / IP

Datenbytes / Data bytes
Datenblöcke / Data blocks

Eingangsbereich / Input range:

	Bit	7	6	5	4	3	2	1	0
Standardfunktionen Standard functions	Connection header	Byte 0	-	-	-	-	DA	CF	RM
	Connection header	Byte 1	DiagnosticSequenceCount						
	Connection header	Byte 2	-	-	-	-	-	-	-
	Connection header	Byte 3	-	-	-	-	-	-	-
Sichere Funktionen Safe functions (FI)	Failsafe input 0	Byte 4	-	-	-	-	-	-	FI.ES
	Failsafe input 1	Byte 5	FI.UK	FI.SK	-	-	FI.L	FI.B	FI.D
	Input 0	Byte 6	EN-S1	-	-	S92.1	-	S91.1	S90.1
	Input 1	Byte 7	EN-S2	-	-	-	-	-	-
	Input 2	Byte 8	-	-	-	-	-	-	-
Standardfunktionen Standard functions	Diagnostics	Byte 9	D.LT	-	D.OL	-	D.ES	D.PF	-
	Fault code	Byte 10	FaultCode						
	Fault code	Byte 11	FaultCode						

Ausgangsbereich / Output range:

	Bit	7	6	5	4	3	2	1	0
Sichere Funktion Safe function (FO)	Failsafe output 0	Byte 0	-	-	-	-	-	-	FO.L
	Output 0	Byte 1	-	-	-	-	H92	H91	H90
	Output 1	Byte 2	EN-H2	-	-	-	-	-	H1
Standardfunktionen Standard functions	Control and ACK	Byte 3	Q.PF	Q.G	-	-	-	-	-

DA = Diagnostic active
CF = Connection faulted
RM = Run mode
FI.UK = D and B and L

FI.SK = D and B
FI.L = Guard locking
FI.B = Bolt position
FI.D = Door position

D.LT = Lifetime
D.OL = Guard locking
D.ES = Emergency stop
D.PF = Plausibility fault

FO.L = Guard locking
Q.PF = Acknowledge plausibility fault
Q.G = Acknowledge all