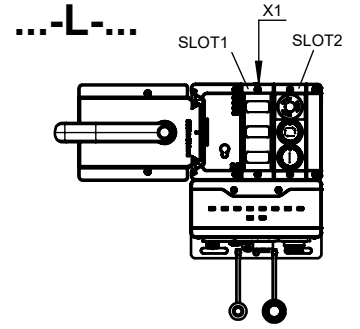
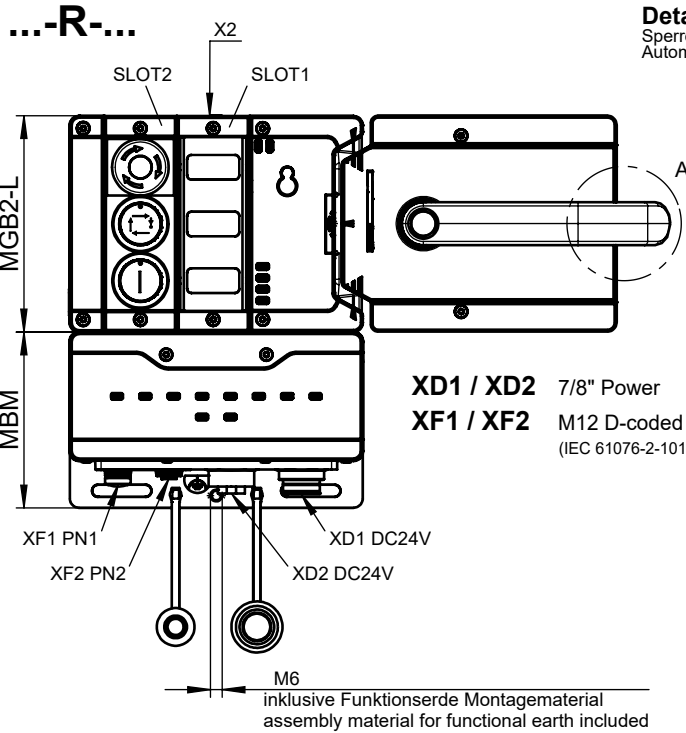


© EUCHNER GmbH + Co. KG

Technische Änderungen vorbehalten, alle Angaben ohne Gewähr / Subject to technical modifications; no responsibility is accepted for the accuracy of this information.



XD1 / XD2 7/8" Power
XF1 / XF2 M12 D-coded
 (IEC 61076-2-101)

- Inklusive:**
- 3 Einlegeschilder (silber, ohne Aufschrift)
 - Etikettenhalter (AY-C-A1-156732)
 - Erdungsschraube M6x8 (AC-FE-GS-M6X8-170020)
- Including:**
- 3 Insertion plates (silver, without inscription)
 - label holder (AY-C-A1-156732)
 - Grounding screw M6x8 (AC-FE-GS-M6X8-170020)

M6
 inklusive Funktionserde Montagematerial
 assembly material for functional earth included

Betriebsanleitung beachten
 (bei Abweichungen zwischen Datenblatt und Betriebsanleitung gelten die Daten des Datenblattes)
Please observe the operating instructions
 (in case of disagreement between data sheet and operating instructions, the information of the data sheet are to be considered)

	MGB2-L...	MSM... (SLOT1)	MSM... (SLOT2)	AC-MC... (X1)	AC-MC... (X2)	MGB2-H...	MBM...
MGB2-L1HB-PN-U-S4-MA-R-169769	136776	137610	161589	157024	156718	136691	169765
MGB2-L1HB-PN-U-S4-MA-L-169770	136776	137610	161589	156718	157024	156394	169765

Übersicht der Kommunikationsdaten:
Overview of the communication data:

Input

Ethernet ¹⁾ standard	Bit 7	Bit 6	Bit 5	Bit 4	Bit 3	Bit 2	Bit 1	Bit 0
1st Byte	BM_E_G	-	BM_E_SYS	-	-	BM_E_ML2	BM_E_ML1	BM_D_RUN
2nd Byte	Diagnose Byte (pluggable)							

Ethernet ¹⁾ standard	Bit 7	Bit 6	Bit 5	Bit 4	Bit 3	Bit 2	Bit 1	Bit 0
1st Byte	LM1_E_G	LM1_E_ER	LM1_E_SM1	LM1_E_SM0	-	LM1_I_UK	LM1_I_SK	LM1_D_RUN
2nd Byte	-	-	-	-	-	LM1_I_OL	LM1_I_OT	LM1_I_OD
3rd Byte	Diagnose Byte (pluggable)							

Ethernet ¹⁾ standard	Bit 7	Bit 6	Bit 5	Bit 4	Bit 3	Bit 2	Bit 1	Bit 0
1st Byte	-	-	SM2_E_S1	-	-	SM2_I_S3	SM2_I_S2	SM2_I_S1
2nd Byte	Diagnose Byte (pluggable)							

Ethernet ¹⁾ SAFE	Bit 7	Bit 6	Bit 5	Bit 4	Bit 3	Bit 2	Bit 1	Bit 0
!	-	-	-	-	-	SM2_FI_ES	LM1_FI_UK	LM1_FI_SK

Output

Ethernet ¹⁾ standard	Bit 7	Bit 6	Bit 5	Bit 4	Bit 3	Bit 2	Bit 1	Bit 0
1st Byte	BM_ACK_G	-	-	-	-	-	-	-

Ethernet ¹⁾ standard	Bit 7	Bit 6	Bit 5	Bit 4	Bit 3	Bit 2	Bit 1	Bit 0
1st Byte	LM1_ACK_G	LM1_ACK_ER	-	-	-	-	-	LM1_O_CL

Ethernet ¹⁾ standard	Bit 7	Bit 6	Bit 5	Bit 4	Bit 3	Bit 2	Bit 1	Bit 0
1st Byte	-	-	SM2_O_H3_B	SM2_O_H2_B	SM2_O_H1_B	SM2_O_H3	SM2_O_H2	SM2_O_H1

Ethernet ¹⁾ SAFE	Bit 7	Bit 6	Bit 5	Bit 4	Bit 3	Bit 2	Bit 1	Bit 0
!	-	-	-	-	-	-	-	LM1_FO_CL

¹⁾ Ethernet Protokoll in Abhängigkeit des verwendeten MBM Busmodul / Ethernet protocol according to the used MBM Busmodul