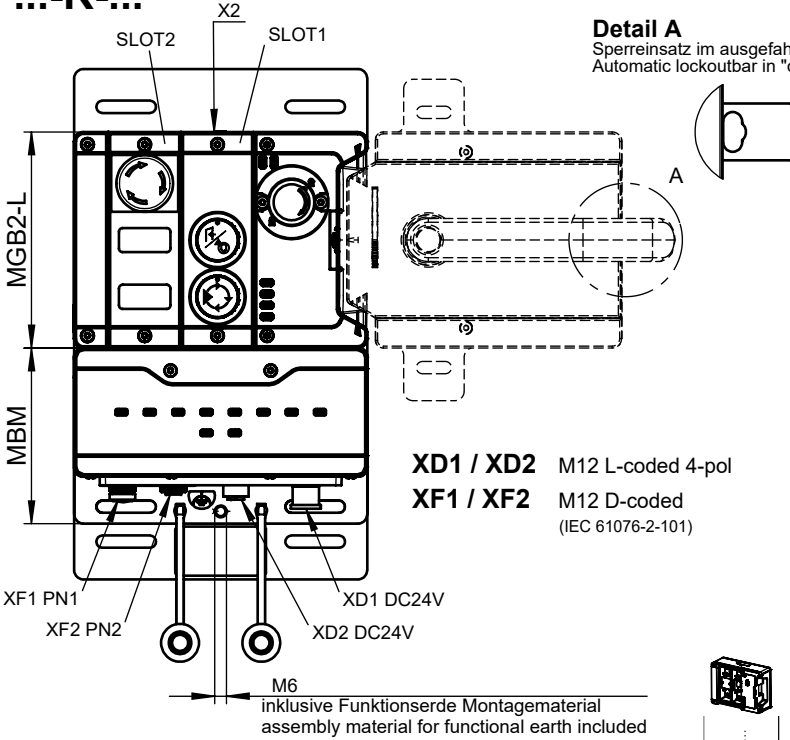
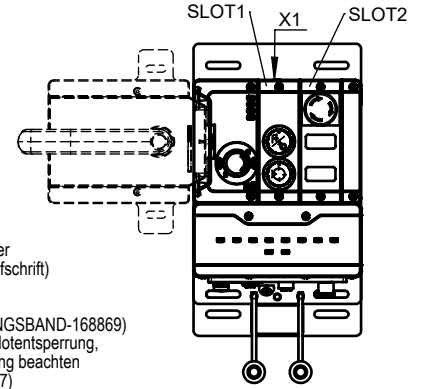


...-R-...



Detail A
Sperreinsatz im ausgefahrenen Zustand
Automatic lockoutbar in "open" position.

...-L-...



- Inklusive:**
- 2 Einlegeschilder (silber, ohne Aufschrift)
 - Plombensatz
 - Erdungsband (AC-FE-ERDUNGSBAND-168869)
 - Vormontierter Notentsperrung, Montageanleitung beachten (AE-M-A1-99877)

- Including:**
- 2 Insertion plates (silver, without inscription)
 - Enclose sealing
 - Grounding strap (AC-FE-ERDUNGSBAND-168869)
 - Pre-assembled emergency unlocking, observe assembly instructions (AE-M-A1-99877)

XD1 / XD2 M12 L-coded 4-pol
XF1 / XF2 M12 D-coded (IEC 61076-2-101)

Betriebsanleitung beachten
(bei Abweichungen zwischen Datenblatt und Betriebsanleitung gelten die Daten des Datenblattes)
Please observe the operating instructions
(in case of disagreement between data sheet and operating instructions, the information of the data sheet are to be considered)

	MGB2-L...	MSM... (SLOT1)	MSM... (SLOT2)	AC-MC... (X1)	AC-MC... (X2)	MBM...	AM...	MGB2-H...	MGB-E...
MGB2-L1B-PN-U-S1-TA-R-169903	136776	171153	165632	157024	156718	169489	156682	-	-
MGB2-L1HEB-PN-U-S1-TA-R-169907	136776	171153	165632	157024	156718	169489	156682	157369	163885
MGB2-L1B-PN-U-S1-TA-L-169905	136776	171153	165632	156718	157024	169489	156682	-	-
MGB2-L1HEB-PN-U-S1-TA-L-169908	136776	171153	165632	156718	157024	169489	156682	157371	163885

Übersicht der Kommunikationsdaten:
Overview of the communication data:

Input

Ethernet ¹⁾ standard	Bit 7	Bit 6	Bit 5	Bit 4	Bit 3	Bit 2	Bit 1	Bit 0
1st Byte	BM_E_G	-	BM_E_SYS	-	-	BM_E_ML2	BM_E_ML1	BM_D_RUN
2nd Byte	Diagnose Byte (pluggable)							

Ethernet ¹⁾ standard	Bit 7	Bit 6	Bit 5	Bit 4	Bit 3	Bit 2	Bit 1	Bit 0
1st Byte	LM1_E_G	LM1_E_ER	LM1_E_SM1	LM1_E_SM0	-	LM1_I_UK	LM1_I_SK	LM1_D_RUN
2nd Byte	-	-	-	-	-	LM1_I_OL	LM1_I_OT	LM1_I_OD
3rd Byte	Diagnose Byte (pluggable)							

Ethernet ¹⁾ standard	Bit 7	Bit 6	Bit 5	Bit 4	Bit 3	Bit 2	Bit 1	Bit 0
1st Byte	-	-	-	-	-	-	SM1_I_S2	SM1_I_S1

Ethernet ¹⁾ standard	Bit 7	Bit 6	Bit 5	Bit 4	Bit 3	Bit 2	Bit 1	Bit 0
1st Byte	-	-	SM2_E_S1	-	-	-	-	SM2_I_S1

Ethernet ¹⁾ SAFE	Bit 7	Bit 6	Bit 5	Bit 4	Bit 3	Bit 2	Bit 1	Bit 0
	-	-	-	-	-	SM2_FI_ES	LM1_FI_UK	LM1_FI_SK

Output

Ethernet ¹⁾ standard	Bit 7	Bit 6	Bit 5	Bit 4	Bit 3	Bit 2	Bit 1	Bit 0
1st Byte	BM_ACK_G	-	-	-	-	-	-	-

Ethernet ¹⁾ standard	Bit 7	Bit 6	Bit 5	Bit 4	Bit 3	Bit 2	Bit 1	Bit 0
1st Byte	LM1_ACK_G	LM1_ACK_ER	-	-	-	-	-	LM1_O_CL

Ethernet ¹⁾ standard	Bit 7	Bit 6	Bit 5	Bit 4	Bit 3	Bit 2	Bit 1	Bit 0
1st Byte	-	-	-	SM1_O_H2_B	SM1_O_H1_B	-	SM1_O_H2	SM1_O_H1

Ethernet ¹⁾ SAFE	Bit 7	Bit 6	Bit 5	Bit 4	Bit 3	Bit 2	Bit 1	Bit 0
	-	-	-	-	-	-	-	LM1_FO_CL

¹⁾ Ethernet Protokoll in Abhängigkeit des verwendeten MBM Busmodul / Ethernet protocol according to the used MBM Busmodul

Technische Änderungen vorbehalten, alle Angaben ohne Gewähr / Subject to technical modifications: no responsibility is accepted for the accuracy of this information. © EUCHNER GmbH + Co. KG