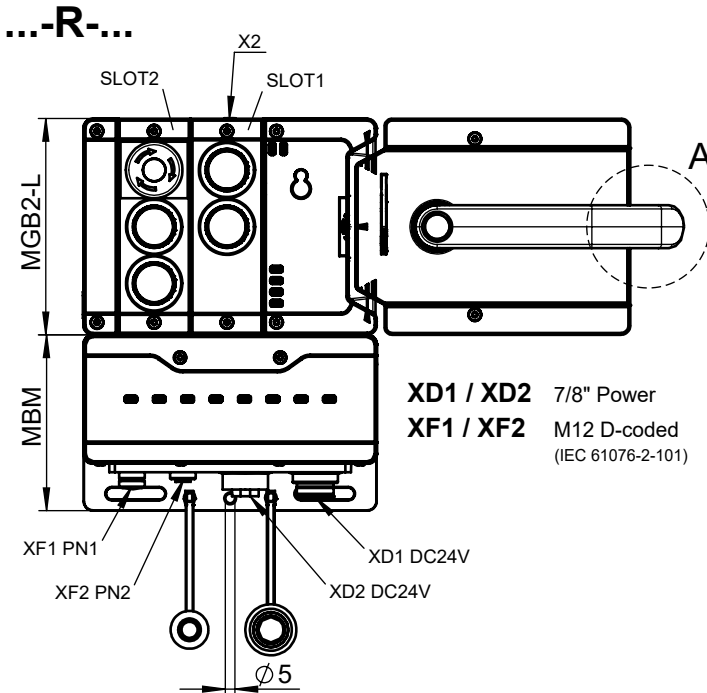
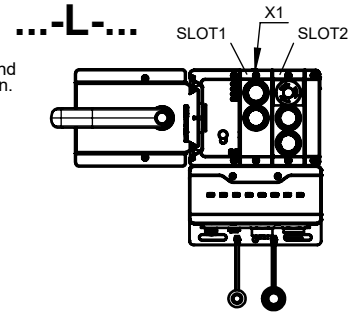
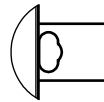


© EUCHNER GmbH + Co. KG Maße in mm / Dimensions in mm



Detail A
Sperreinsatz im ausgefahrenen Zustand
Automatic lockoutbar in "open" position.



AY-SET-LNS-0001-120344 (2x)
Blenden-Set für Taster inklusive:
Cover-Set for push-buttons including:

- 2x weiss / white
- 1x blau / blue
- 1x gelb / yellow
- 1x grün / green
- 1x rot / red



	MGB2-L...	MSM... (SLOT1)	MSM... (SLOT2)	AC-MC... (X1)	AC-MC... (X2)	MGB2-H...	MBM...
MGB2-L1HB-PN-U-S4-AA-R-167617	136776	137742	136687	157024	156718	136691	156312
MGB2-L1HB-PN-U-S4-AA-L-167618	136776	137742	136687	156718	157024	156394	156312

Betriebsanleitung beachten
(bei Abweichungen zwischen Datenblatt und Betriebsanleitung gelten die Daten des Datenblattes)
Please observe the operating instructions
(in case of disagreement between data sheet and operating instructions, the information of the data sheet are to be considered)

Übersicht der Kommunikationsdaten:
Overview of the communication data:

Input

Ethernet ¹⁾ standard	Bit 7	Bit 6	Bit 5	Bit 4	Bit 3	Bit 2	Bit 1	Bit 0
1st Byte	BM_E_G	-	BM_E_SYS	-	-	BM_E_ML2	BM_E_ML1	BM_D_RUN
2nd Byte	Diagnose Byte (pluggable)							

Ethernet ¹⁾ standard	Bit 7	Bit 6	Bit 5	Bit 4	Bit 3	Bit 2	Bit 1	Bit 0
1st Byte	LM_E_G	LM_E_ER	LM_E_SM1	LM_E_SM0	-	LM_I_UK	LM_I_SK	LM_D_RUN
2nd Byte	-	-	-	-	-	LM_I_OL	LM_I_OT	LM_I_OD
3rd Byte	Diagnose Byte (pluggable)							

Ethernet ¹⁾ standard	Bit 7	Bit 6	Bit 5	Bit 4	Bit 3	Bit 2	Bit 1	Bit 0
1st Byte	-	-	-	-	-	-	SM_I_S2	SM_I_S1

Ethernet ¹⁾ standard	Bit 7	Bit 6	Bit 5	Bit 4	Bit 3	Bit 2	Bit 1	Bit 0
1st Byte	-	-	SM_E_S1	-	-	SM_I_S3	SM_I_S2	SM_I_S1
2nd Byte	Diagnose Byte (pluggable)							

Ethernet ¹⁾ SAFE	Bit 7	Bit 6	Bit 5	Bit 4	Bit 3	Bit 2	Bit 1	Bit 0
⚠	-	-	-	-	-	SM_FI_ES	LM_FI_UK	LM_FI_SK

Output

Ethernet ¹⁾ standard	Bit 7	Bit 6	Bit 5	Bit 4	Bit 3	Bit 2	Bit 1	Bit 0
1st Byte	BM_ACK_G	-	-	-	-	-	-	-

Ethernet ¹⁾ standard	Bit 7	Bit 6	Bit 5	Bit 4	Bit 3	Bit 2	Bit 1	Bit 0
1st Byte	LM_ACK_G	LM_ACK_ER	-	-	-	-	-	LM_O_CL

Ethernet ¹⁾ standard	Bit 7	Bit 6	Bit 5	Bit 4	Bit 3	Bit 2	Bit 1	Bit 0
1st Byte	-	-	-	SM_O_H2_B	SM_O_H1_B	-	SM_O_H2	SM_O_H1

Ethernet ¹⁾ standard	Bit 7	Bit 6	Bit 5	Bit 4	Bit 3	Bit 2	Bit 1	Bit 0
1st Byte	-	-	SM_O_H3_B	SM_O_H2_B	SM_O_H1_B	SM_O_H3	SM_O_H2	SM_O_H1

Ethernet ¹⁾ SAFE	Bit 7	Bit 6	Bit 5	Bit 4	Bit 3	Bit 2	Bit 1	Bit 0
⚠	-	-	-	-	-	-	-	LM_FO_CL

¹⁾ Ethernet Protokoll in Abhängigkeit des verwendeten MBM Busmodul / Ethernet protocol according to the used MBM Busmodul