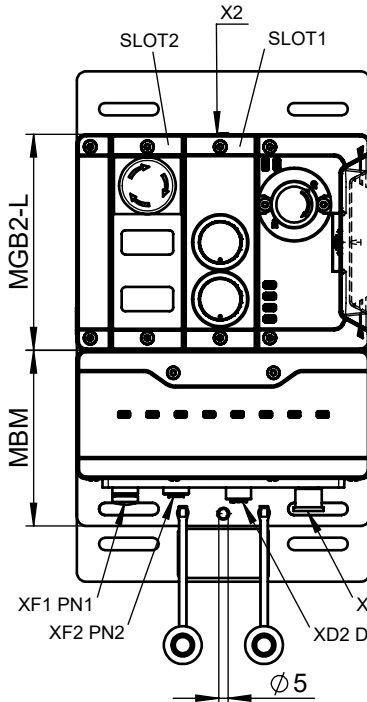


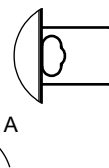
Technische Änderungen vorbehalten, alle Angaben ohne Gewähr / Subject to technical modifications; no responsibility is accepted for the accuracy of this information. © EUCHNER GmbH + Co. KG  
 Maße in mm / Dimensions in mm

...-R-...

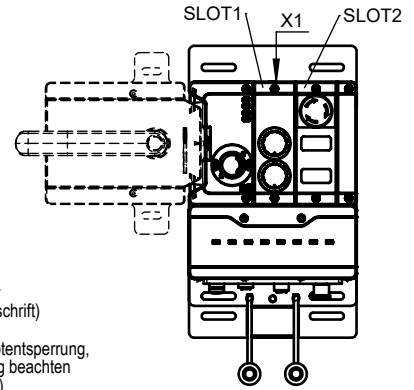


**Detail A**

Sperreinsatz im ausgefahrenen Zustand  
Automatic lockoutbar in "open" position.



...-L-...



**Inklusive:**

- 2 Einlegeschilder (silber, ohne Aufschrift)
- Plombensatz
- Vormontierter Notentsperrung, Montageanleitung beachten (AE-M-A1-99877)

**Including:**

- 2 Insertion plates (silver, without inscription)
- Enclose sealing
- Pre-assembled emergency unlocking, observe assembly instructions (AE-M-A1-99877)

**XD1 / XD2** M12 L-coded  
**XF1 / XF2** M12 D-coded (IEC 61076-2-101)

	MGB2-L...	MSM... (SLOTT1)	MSM... (SLOTT2)	AC-MC... (X1)	AC-MC... (X2)	MBM...	AM...	MGB2-H...	MGB-E...
MGB2-L1B-PN-U-S2-TA-R-165729	136776	164633	165632	157024	156718	161849	156682	-	-
MGB2-L1HEB-PN-U-S2-TA-R-165727	136776	164633	165632	157024	156718	161849	156682	157369	163885
MGB2-L1B-PN-U-S2-TA-L-165731	136776	164633	165632	156718	157024	161849	156682	-	-
MGB2-L1HEB-PN-U-S2-TA-L-165728	136776	164633	165632	156718	157024	161849	156682	157371	163885

**Betriebsanleitung beachten**

(bei Abweichungen zwischen Datenblatt und Betriebsanleitung gelten die Daten des Datenblattes)  
**Please observe the operating instructions**  
 (in case of disagreement between data sheet and operating instructions, the information of the data sheet are to be considered)

**Übersicht der Kommunikationsdaten:**

**Overview of the communication data:**

**Input**

Ethernet <sup>1)</sup> standard	Bit 7	Bit 6	Bit 5	Bit 4	Bit 3	Bit 2	Bit 1	Bit 0
1st Byte	BM_E_G	-	BM_E_SYS	-	-	BM_E_ML2	BM_E_ML1	BM_D_RUN
2nd Byte	Diagnose Byte (pluggable)							

Ethernet <sup>1)</sup> standard	Bit 7	Bit 6	Bit 5	Bit 4	Bit 3	Bit 2	Bit 1	Bit 0
1st Byte	LM_E_G	LM_E_ER	LM_E_SM1	LM_E_SM0	-	LM_I_UK	LM_I_SK	LM_D_RUN
2nd Byte	-	-	-	-	-	LM_I_OL	LM_I_OT	LM_I_OD
3rd Byte	Diagnose Byte (pluggable)							

Ethernet <sup>1)</sup> standard	Bit 7	Bit 6	Bit 5	Bit 4	Bit 3	Bit 2	Bit 1	Bit 0
1st Byte	-	-	-	-	-	-	SM_I_S2	SM_I_S1

Ethernet <sup>1)</sup> standard	Bit 7	Bit 6	Bit 5	Bit 4	Bit 3	Bit 2	Bit 1	Bit 0
1st Byte	-	-	SM_E_S1	-	-	-	-	SM_I_S1

Ethernet <sup>1)</sup> SAFE	Bit 7	Bit 6	Bit 5	Bit 4	Bit 3	Bit 2	Bit 1	Bit 0
	-	-	-	-	-	SM_FI_ES	LM_FI_UK	LM_FI_SK

**Output**

Ethernet <sup>1)</sup> standard	Bit 7	Bit 6	Bit 5	Bit 4	Bit 3	Bit 2	Bit 1	Bit 0
1st Byte	BM_ACK_G	-	-	-	-	-	-	-

Ethernet <sup>1)</sup> standard	Bit 7	Bit 6	Bit 5	Bit 4	Bit 3	Bit 2	Bit 1	Bit 0
1st Byte	LM_ACK_G	LM_ACK_ER	-	-	-	-	-	LM_O_CL

Ethernet <sup>1)</sup> standard	Bit 7	Bit 6	Bit 5	Bit 4	Bit 3	Bit 2	Bit 1	Bit 0
1st Byte	-	-	-	SM_O_H2_B	SM_O_H1_B	-	SM_O_H2	SM_O_H1

Ethernet <sup>1)</sup> SAFE	Bit 7	Bit 6	Bit 5	Bit 4	Bit 3	Bit 2	Bit 1	Bit 0
	-	-	-	-	-	-	-	LM_FO_CL

<sup>1)</sup> Ethernet Protokoll in Abhängigkeit des verwendeten MBM Busmodul / Ethernet protocol according to the used MBM Busmodul