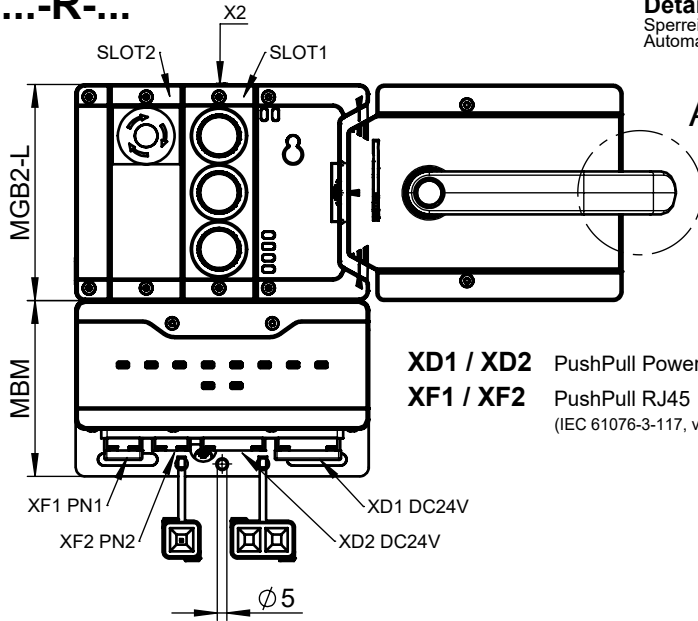


Maße in mm / Dimensions in mm

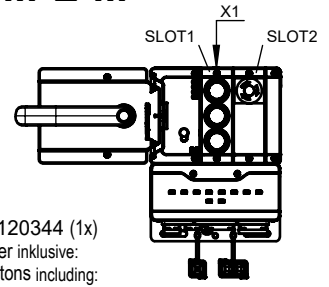
© EUCHNER GmbH + Co. KG Technische Änderungen vorbehalten, alle Angaben ohne Gewähr / Subject to technical modifications; no responsibility is accepted for the accuracy of this information.

...-R-...



Detail A
Sperreinsatz im ausgefahrenen Zustand
Automatic lockoutbar in "open" position.

...-L-...



AY-SET-LNS-0001-120344 (1x)
Blenden-Set für Taster inklusive:
Cover-Set for push-buttons including:
2x weiss / white
1x blau / blue
1x gelb / yellow
1x grün / green
1x rot / red

Betriebsanleitung beachten
(bei Abweichungen zwischen Datenblatt und Betriebsanleitung gelten die Daten des Datenblattes)
Please observe the operating instructions
(in case of disagreement between data sheet and operating instructions, the information of the data sheet are to be considered)

	MGB2-L...	MSM... (SLOT1)	MSM... (SLOT2)	AC-NC... (X1)	AC-NC... (X2)	MGB2-H...	MBM...	MGB-E...
MGB2-L1HEB-PN-U-S3-AA-R-165351	136776	127040	159480	157024	156718	136691	156310	100465
MGB2-L1HEB-PN-U-S3-AA-L-165352	136776	127040	159480	156718	157024	156394	156310	100465
MGB2-L1HEB-PN-U-S3-AA-R-170576	136776	127040	159480	157024	156718	136691	169764	100465
MGB2-L1HEB-PN-U-S3-AA-L-170577	136776	127040	159480	156718	157024	156394	169764	100465
MGB2-L1HEB-PN-M-S3-AA-R-170396	158698	127040	159480	157024	156718	136691	169764	100465
MGB2-L1HEB-PN-M-S3-AA-L-170397	158698	127040	159480	156718	157024	156394	169764	100465

Übersicht der Kommunikationsdaten:
Overview of the communication data:

Input

Ethernet ¹⁾ standard	Bit 7	Bit 6	Bit 5	Bit 4	Bit 3	Bit 2	Bit 1	Bit 0
1st Byte	BM_E_G	-	BM_E_SYS	-	-	BM_E_ML2	BM_E_ML1	BM_D_RUN
2nd Byte	Diagnose Byte (pluggable)							

Ethernet ¹⁾ standard	Bit 7	Bit 6	Bit 5	Bit 4	Bit 3	Bit 2	Bit 1	Bit 0
1st Byte	LM_E_G	LM_E_ER	LM_E_SM1	LM_E_SM0	-	LM_I_UK	LM_I_SK	LM_D_RUN
2nd Byte	-	-	-	-	-	LM_I_OL	LM_I_OT	LM_I_OD
3rd Byte	Diagnose Byte (pluggable)							

Ethernet ¹⁾ standard	Bit 7	Bit 6	Bit 5	Bit 4	Bit 3	Bit 2	Bit 1	Bit 0
1st Byte	-	-	-	-	-	SM_I_S3	SM_I_S2	SM_I_S1

Ethernet ¹⁾ standard	Bit 7	Bit 6	Bit 5	Bit 4	Bit 3	Bit 2	Bit 1	Bit 0
1st Byte	-	-	SM_E_S1	-	-	-	-	SM_I_S1
2nd Byte	Diagnose Byte (pluggable)							

Ethernet ¹⁾ SAFE	Bit 7	Bit 6	Bit 5	Bit 4	Bit 3	Bit 2	Bit 1	Bit 0
!	-	-	-	-	-	SM_FI_ES	LM_FI_UK	LM_FI_SK

Output

Ethernet ¹⁾ standard	Bit 7	Bit 6	Bit 5	Bit 4	Bit 3	Bit 2	Bit 1	Bit 0
1st Byte	BM_ACK_G	-	-	-	-	-	-	-

Ethernet ¹⁾ standard	Bit 7	Bit 6	Bit 5	Bit 4	Bit 3	Bit 2	Bit 1	Bit 0
1st Byte	LM_ACK_G	LM_ACK_ER	-	-	-	-	-	LM_O_CL

Ethernet ¹⁾ standard	Bit 7	Bit 6	Bit 5	Bit 4	Bit 3	Bit 2	Bit 1	Bit 0
1st Byte	-	-	SM_O_H3_B	SM_O_H2_B	SM_O_H1_B	SM_O_H3	SM_O_H2	SM_O_H1

Ethernet ¹⁾ standard	Bit 7	Bit 6	Bit 5	Bit 4	Bit 3	Bit 2	Bit 1	Bit 0
1st Byte	-	-	-	-	SM_O_H1_B	-	-	SM_O_H1

Ethernet ¹⁾ SAFE	Bit 7	Bit 6	Bit 5	Bit 4	Bit 3	Bit 2	Bit 1	Bit 0
!	-	-	-	-	-	-	-	LM_FO_CL

¹⁾ Ethernet Protokoll in Abhängigkeit des verwendeten MBM Busmodul / Ethernet protocol according to the used MBM Busmodul