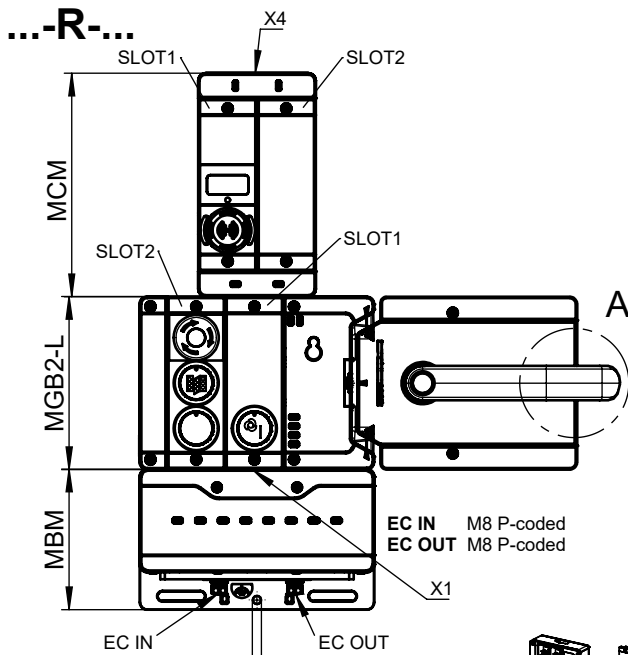


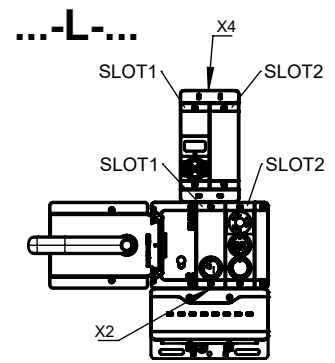
Maße in mm / Dimensions in mm

© EUCHNER GmbH + Co. KG Technische Änderungen vorbehalten, alle Angaben ohne Gewähr / Subject to technical modifications; no responsibility is accepted for the accuracy of this information.



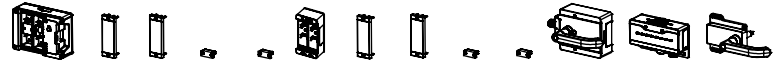
Detail A
Sperreinsatz im ausgefahrenen Zustand
Automatic lockout bar in "open" position.

- Inklusive:**
- Erdungsschraube M6x8 (AC-FE-GS-M6X8-170020)
 - Schlüssel FlexFunction (A-FLX-K-0A-RD-168921)
- Including:**
- Grounding screw M6x8 (AC-FE-GS-M6X8-170020)
 - FlexFunction key (A-FLX-K-0A-RD-168921)



Betriebsanleitung beachten
(bei Abweichungen zwischen Datenblatt und Betriebsanleitung gelten die Daten des Datenblattes)
Please observe the operating instructions
(in case of disagreement between data sheet and operating instructions, the information of the data sheet are to be considered)

M6
inklusive Funktionserde Montagmaterial
assembly material for functional earth included



	MGB2-L...	MSM... (SLOT1)	MSM... (SLOT2)	AC-MC... (X1)	AC-MC... (X2)	MCM...	MSM... (SLOT1)	MSM... (SLOT2)	AC-MC... (X3)	AC-MC... (X4)	MGB2-H...	MBM...	MGB-E...
MGB2-L2HECB-EC-U-S7-CA-R-169334	156392	169470	169466	157024	157025	164241	168595	126372	157024	156718	157021	163293	100465
MGB2-L2HECB-EC-U-S7-CA-L-169335	156392	169470	169466	157025	157024	164241	168595	126372	157024	156718	157022	163293	100465

Übersicht der Kommunikationsdaten:
Overview of the communication data:

Input

Ethernet ¹⁾ standard	Bit 7	Bit 6	Bit 5	Bit 4	Bit 3	Bit 2	Bit 1	Bit 0
1st Byte	BM_E_G	-	BM_E_SYS	-	-	BM_E_ML2	BM_E_ML1	BM_D_RUN
2nd Byte	Diagnose Byte (pluggable)							
Ethernet ¹⁾ standard	Bit 7	Bit 6	Bit 5	Bit 4	Bit 3	Bit 2	Bit 1	Bit 0
1st Byte	LM1_E_G	LM1_E_ER	LM1_E_SM1	LM1_E_SMO	-	LM1_I_UK	LM1_I_SK	LM1_D_RUN
2nd Byte	-	-	-	-	-	LM1_I_OL	LM1_I_OT	LM1_I_OD
3rd Byte	Diagnose Byte (pluggable)							
Ethernet ¹⁾ standard	Bit 7	Bit 6	Bit 5	Bit 4	Bit 3	Bit 2	Bit 1	Bit 0
1st Byte	-	-	-	-	-	-	-	LM1_SM1_I_S1
Ethernet ¹⁾ standard	Bit 7	Bit 6	Bit 5	Bit 4	Bit 3	Bit 2	Bit 1	Bit 0
1st Byte	LM1_SM2_E_S3	-	LM1_SM2_E_S1	-	-	LM1_SM2_I_S3	LM1_SM2_I_S2	LM1_SM2_I_S1
2nd Byte	Diagnose Byte (pluggable)							
Ethernet ¹⁾ standard	Bit 7	Bit 6	Bit 5	Bit 4	Bit 3	Bit 2	Bit 1	Bit 0
1st Byte	EM1_E_G	-	-	EM1_E_SM1	EM1_E_SMO	-	-	EM1_D_RUN
2nd Byte	Diagnose Byte (pluggable)							
Ethernet ¹⁾ standard	Bit 7	Bit 6	Bit 5	Bit 4	Bit 3	Bit 2	Bit 1	Bit 0
1st Byte	EM1_SM1_E_S3	-	-	-	-	EM1_SM1_I_S3	EM1_SM1_I_S3_E	-
2nd Byte	Diagnose Byte (pluggable)							
Ethernet ¹⁾ SAFE	Bit 7	Bit 6	Bit 5	Bit 4	Bit 3	Bit 2	Bit 1	Bit 0
	-	-	-	EM1_SM1_FI_S3	LM1_SM2_FI_S3	LM1_SM2_FI_ES	LM1_FI_UK	LM1_FI_SK

Output

Ethernet ¹⁾ standard	Bit 7	Bit 6	Bit 5	Bit 4	Bit 3	Bit 2	Bit 1	Bit 0
1st Byte	BM_ACK_G	-	-	-	-	-	-	-
Ethernet ¹⁾ standard	Bit 7	Bit 6	Bit 5	Bit 4	Bit 3	Bit 2	Bit 1	Bit 0
1st Byte	LM1_ACK_G	LM1_ACK_ER	-	-	-	-	-	LM1_O_CL
Ethernet ¹⁾ standard	Bit 7	Bit 6	Bit 5	Bit 4	Bit 3	Bit 2	Bit 1	Bit 0
1st Byte	-	-	-	-	LM1_SM1_O_H1_B	-	-	LM1_SM1_O_H1
Ethernet ¹⁾ standard	Bit 7	Bit 6	Bit 5	Bit 4	Bit 3	Bit 2	Bit 1	Bit 0
1st Byte	-	-	LM1_SM2_O_H3_B	LM1_SM2_O_H2_B	LM1_SM2_O_H1_B	LM1_SM2_O_H3	LM1_SM2_O_H2	LM1_SM2_O_H1
Ethernet ¹⁾ standard	Bit 7	Bit 6	Bit 5	Bit 4	Bit 3	Bit 2	Bit 1	Bit 0
1st Byte	EM1_ACK_G	-	-	-	-	-	-	-
2nd Byte *	EM1_O_H4_B	EM1_O_H3_B	EM1_O_H2_B	EM1_O_H1_B	EM1_O_H4	EM1_O_H3	EM1_O_H2	EM1_O_H1
Ethernet ¹⁾ standard	Bit 7	Bit 6	Bit 5	Bit 4	Bit 3	Bit 2	Bit 1	Bit 0
1st Byte	-	-	-	EM1_SM1_O_H3_Rd_B	EM1_SM1_O_H3_Gn_B	EM1_SM1_O_J3	EM1_SM1_O_H3_Rd	EM1_SM1_O_H3_Gn
Ethernet ¹⁾ SAFE	Bit 7	Bit 6	Bit 5	Bit 4	Bit 3	Bit 2	Bit 1	Bit 0
	-	-	-	-	-	-	-	LM1_FO_CL

* Mit Stecker 157029 oder 161345 in X2 / With connector 157029 or 161345 at X2.

¹⁾ Ethernet Protokoll in Abhängigkeit des verwendeten MBM Busmodul / Ethernet protocol according to the used MBM Busmodul