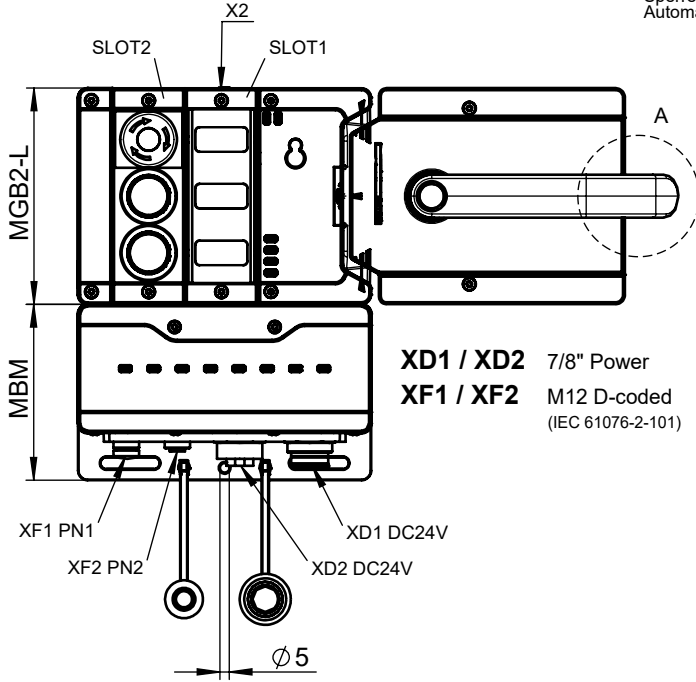


© EUCHNER GmbH + Co. KG

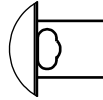
Technische Änderungen vorbehalten, alle Angaben ohne Gewähr / Subject to technical modifications; no responsibility is accepted for the accuracy of this information.

...-R-...

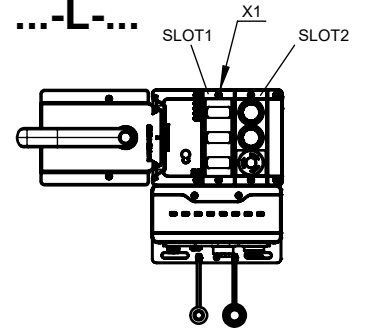


**Detail A**

Sperreinsatz im ausgefahrenen Zustand  
Automatic lockoutbar in "open" position.



...-L-...



**XD1 / XD2** 7/8" Power  
**XF1 / XF2** M12 D-coded  
(IEC 61076-2-101)

**Inklusive:**

- 3 Einlegeschilder (silber, ohne Aufschrift)
- Etikettenhalter (AY-C-A1-156732)

**Including:**

- 3 Insertion plates (silver, without inscription)
- label holder (AY-C-A1-156732)

AY-SET-LNS-0001-120344 (1x)

**Blenden-Set** für Taster inklusive:  
**Cover-Set** for push-buttons including:

- 2x weiss / white
- 1x blau / blue
- 1x gelb / yellow
- 1x grün / green
- 1x rot / red



**Betriebsanleitung beachten**

(bei Abweichungen zwischen Datenblatt und Betriebsanleitung gelten die Daten des Datenblattes)  
**Please observe the operating instructions**  
(in case of disagreement between data sheet and operating instructions, the information of the data sheet are to be considered)

	MGB2-L...	MSM... (SLOT1)	MSM... (SLOT2)	AC-MC... (X1)	AC-MC... (X2)	MGB2-H...	MBM...
MGB2-L1HB-PN-U-S4-DA-R-156386	136776	137610	136687	157024	156718	136691	156312
MGB2-L1HB-PN-U-S4-DA-L-156387	136776	137610	136687	156718	157024	156394	156312

**Übersicht der Kommunikationsdaten:**

**Overview of the communication data:**

**Input**

Ethernet <sup>(1)</sup> standard	Bit 7	Bit 6	Bit 5	Bit 4	Bit 3	Bit 2	Bit 1	Bit 0
1st Byte	BM_E_G	-	BM_E_SYS	-	-	BM_E_ML2	BM_E_ML1	BM_D_RUN
2nd Byte	Diagnose Byte (pluggable)							

Ethernet <sup>(1)</sup> standard	Bit 7	Bit 6	Bit 5	Bit 4	Bit 3	Bit 2	Bit 1	Bit 0
1st Byte	LM_E_G	LM_E_ER	LM_E_SM1	LM_E_SM0	-	LM_I_UK	LM_I_SK	LM_D_RUN
2nd Byte	-	-	-	-	-	LM_I_OL	LM_I_OT	LM_I_OD
3rd Byte	Diagnose Byte (pluggable)							

Ethernet <sup>(1)</sup> standard	Bit 7	Bit 6	Bit 5	Bit 4	Bit 3	Bit 2	Bit 1	Bit 0
1st Byte	-	-	SM_E_S1	-	-	SM_I_S3	SM_I_S2	SM_I_S1
2nd Byte	Diagnose Byte (pluggable)							

Ethernet <sup>(1)</sup> SAFE	Bit 7	Bit 6	Bit 5	Bit 4	Bit 3	Bit 2	Bit 1	Bit 0
	-	-	-	-	-	SM_FI_ES	LM_FI_UK	LM_FI_SK

**Output**

Ethernet <sup>(1)</sup> standard	Bit 7	Bit 6	Bit 5	Bit 4	Bit 3	Bit 2	Bit 1	Bit 0
1st Byte	BM_ACK_G	-	-	-	-	-	-	-

Ethernet <sup>(1)</sup> standard	Bit 7	Bit 6	Bit 5	Bit 4	Bit 3	Bit 2	Bit 1	Bit 0
1st Byte	LM_ACK_G	LM_ACK_ER	-	-	-	-	-	LM_O_CL

Ethernet <sup>(1)</sup> standard	Bit 7	Bit 6	Bit 5	Bit 4	Bit 3	Bit 2	Bit 1	Bit 0
1st Byte	-	-	SM_O_H3_B	SM_O_H2_B	SM_O_H1_B	SM_O_H3	SM_O_H2	SM_O_H1

Ethernet <sup>(1)</sup> SAFE	Bit 7	Bit 6	Bit 5	Bit 4	Bit 3	Bit 2	Bit 1	Bit 0
	-	-	-	-	-	-	-	LM_FO_CL

<sup>1)</sup> Ethernet Protokoll in Abhängigkeit des verwendeten MBM Busmodul / Ethernet protocol according to the used MBM Busmodul